

# RC-12P2NQA2000 - Device connector front mounting



1598324

<https://www.phoenixcontact.com/us/products/1598324>

Please be informed that the data shown in this PDF document is generated from our online catalog. Please find the complete data in the user documentation. Our general terms of use for downloads are valid.



M23, Device connector front mounting, series: RC, straight, shielded: yes, Screw locking mechanism, Flat gasket

## Commercial data

Item number	1598324
Packing unit	40 pc
Minimum order quantity	1 pc
Note	Made to order (non-returnable)
Product key	ABRAFL
GTIN	4046356220262
Weight per piece (including packing)	27.78 g
Weight per piece (excluding packing)	27.78 g
Country of origin	DE

# RC-12P2NQA2000 - Device connector front mounting



1598324

<https://www.phoenixcontact.com/us/products/1598324>

## Technical data

### Product properties

Product type	Circular connectors (device side)
--------------	-----------------------------------

### Connector

#### Housing

Type	Flange housing
Thread type	M23
Design	straight
Type of locking	Screw locking mechanism
Pg screw connection	none
Mounting type	Front mounting/square flange (4x Ø 2.7 mm)
Material (Housing)	Metal
Degree of protection (plugged in)	IP67
Seal for the device	Flat gasket

# RC-12P2NQA2000 - Device connector front mounting

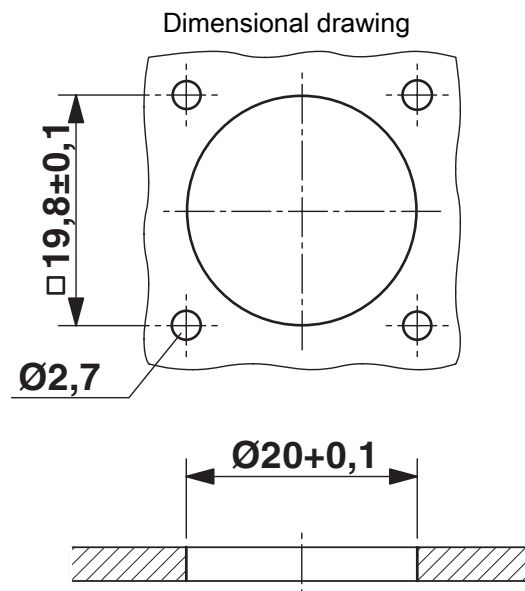
1598324

<https://www.phoenixcontact.com/us/products/1598324>

## Drawings



## Installation dimensions



## Installation dimensions

# RC-12P2NQA2000 - Device connector front mounting



1598324

<https://www.phoenixcontact.com/us/products/1598324>

## Classifications

### UNSPSC

UNSPSC 21.0	39121413
-------------	----------

1598324

<https://www.phoenixcontact.com/us/products/1598324>

## Environmental product compliance

### EU RoHS

Fulfills EU RoHS substance requirements	Yes
Exemption	6(c)

### China RoHS

Environment friendly use period (EFUP)	EFUP-50
	An article-related China RoHS declaration table can be found in the download area for the respective article under "Manufacturer declaration". For all articles with EFUP-E, no China RoHS declaration table issued and required.

### EU REACH SVHC

REACH candidate substance (CAS No.)	No substance above 0.1 wt%
-------------------------------------	----------------------------

Phoenix Contact 2026 © - all rights reserved  
<https://www.phoenixcontact.com>

Phoenix Contact USA  
586 Fulling Mill Road  
Middletown, PA 17057, United States  
(+717) 944-1300  
[info@phoenixcon.com](mailto:info@phoenixcon.com)