

# RC-12P2NA2E000 - Device connector rear mounting



1598300

<https://www.phoenixcontact.com/us/products/1598300>

Please be informed that the data shown in this PDF document is generated from our online catalog. Please find the complete data in the user documentation. Our general terms of use for downloads are valid.



The figure shows the 17-pos.  
product version

M23, Device connector rear mounting, series: RC, straight, shielded: yes, Screw locking mechanism, Radial O-ring, Panel thickness min.: 3 mm, Panel thickness max.: 10.5 mm. This product is in the process of being discontinued. This product must no longer be considered for new projects. Please contact your sales representative for alternatives.

## Commercial data

Item number	1598300
Packing unit	20 pc
Minimum order quantity	1 pc
Product key	ABRAFR
GTIN	4046356220125
Weight per piece (including packing)	46.885 g
Weight per piece (excluding packing)	42.97 g
Country of origin	DE

# RC-12P2NA2E000 - Device connector rear mounting



1598300

<https://www.phoenixcontact.com/us/products/1598300>

## Technical data

### Product properties

Product type	Circular connectors (device side)
--------------	-----------------------------------

### Material specifications

Flammability rating according to UL 94	V0
--	----

### Connection data

#### Conductor connection

Connection method	Solder-in connection
-------------------	----------------------

### Connector

#### Housing

Type	Flange housing
Thread type	M23
Design	straight
Type of locking	Screw locking mechanism
Pg screw connection	none
Mounting type	Rear mounting/square flange (4x M3)
Material (Housing)	GD-Zn
Material (Housing surface)	Ni
Material (Rotating parts)	CuZn
Degree of protection (plugged in)	IP67
Seal for the device	Radial O-ring

### Environmental and real-life conditions

#### Ambient conditions

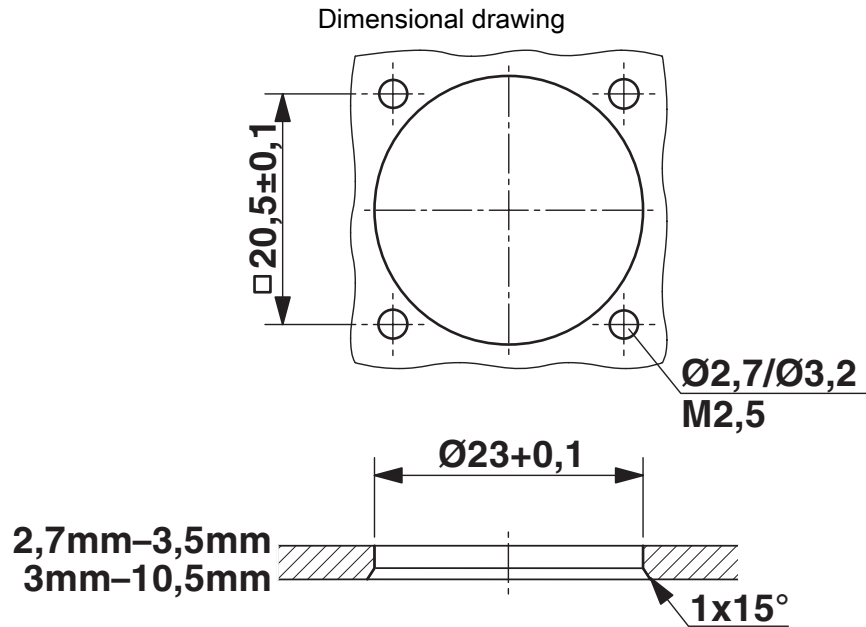
Degree of protection	IP67
----------------------	------

# RC-12P2NA2E000 - Device connector rear mounting

1598300

<https://www.phoenixcontact.com/us/products/1598300>

## Drawings



Installation dimensions

# RC-12P2NA2E000 - Device connector rear mounting



1598300

<https://www.phoenixcontact.com/us/products/1598300>

## Classifications

### ECLASS

ECLASS-13.0	27440109
ECLASS-15.0	27440109

### ETIM

ETIM 10.0	EC003569
-----------	----------

### UNSPSC

UNSPSC 21.0	39121400
-------------	----------

1598300

<https://www.phoenixcontact.com/us/products/1598300>

## Environmental product compliance

### EU RoHS

Fulfills EU RoHS substance requirements	Yes
Exemption	6(c)

### China RoHS

Environment friendly use period (EFUP)	EFUP-50
	An article-related China RoHS declaration table can be found in the download area for the respective article under "Manufacturer declaration". For all articles with EFUP-E, no China RoHS declaration table issued and required.

### EU REACH SVHC

REACH candidate substance (CAS No.)	Lead(CAS: 7439-92-1)
SCIP	fd7b465c-2669-4369-831c-6878ed21cd57

Phoenix Contact 2026 © - all rights reserved

<https://www.phoenixcontact.com>

Phoenix Contact USA  
586 Fulling Mill Road  
Middletown, PA 17057, United States  
(+717) 944-1300  
[info@phoenixcon.com](mailto:info@phoenixcon.com)