

RC-12P2N8AW400 - Device connector front mounting



1598285

<https://www.phoenixcontact.com/us/products/1598285>

Please be informed that the data shown in this PDF document is generated from our online catalog. Please find the complete data in the user documentation. Our general terms of use for downloads are valid.



M23, Device connector front mounting, application: Signal, series: RC, straight, shielded: yes, Screw locking mechanism, No. of pos.: 12, Direction of rotation: Counter direction, contact connection type: Pin, Crimp connection, Axial O-ring, 4x Ø 2.7 mm, coding: N

The figure shows the 12-pos. product version with standard contact chamber numbering

Commercial data

Item number	1598285
Packing unit	40 pc
Minimum order quantity	1 pc
Note	Made to order (non-returnable)
Product key	ABRAFL
GTIN	4046356276733
Weight per piece (including packing)	25.72 g
Weight per piece (excluding packing)	25.72 g
Country of origin	DE

1598285

<https://www.phoenixcontact.com/us/products/1598285>

Technical data

Notes

Order information:	Order crimp contacts Ø 1 mm separately
--------------------	--

Product properties

Product type	Circular connectors (device side)
--------------	-----------------------------------

Connector

Insulating body

Note	Order information: Order crimp contacts Ø 1 mm separately
Coding	N
Material (Insulating body)	PA 6.6
Connection method	Crimp connection
Contact switching type	Pin
Application	Signal
Number of positions	12
Direction of rotation	Counter direction
Connection profile	12
Number (Contact group 1)	12
Contact diameter (Contact group 1)	1 mm
Rated current Contact (Contact group 1)	8 A (for max. connection cross section)
Rated voltage Contact (Contact group 1)	48 V AC 74 V DC
Rated surge voltage	1.5 kV
Overvoltage category	III
Degree of pollution	3

Housing

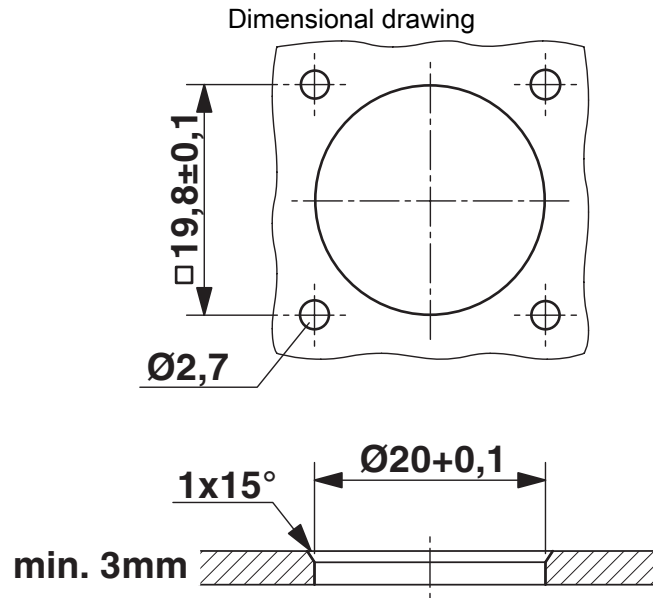
Order information:	Order contact inserts separately
Thread type	M23
Design	straight
Type of locking	Screw locking mechanism
Pg screw connection	none
Housing material	Metal
Degree of protection (plugged in)	IP67
Seal for the device	Axial O-ring

RC-12P2N8AW400 - Device connector front mounting

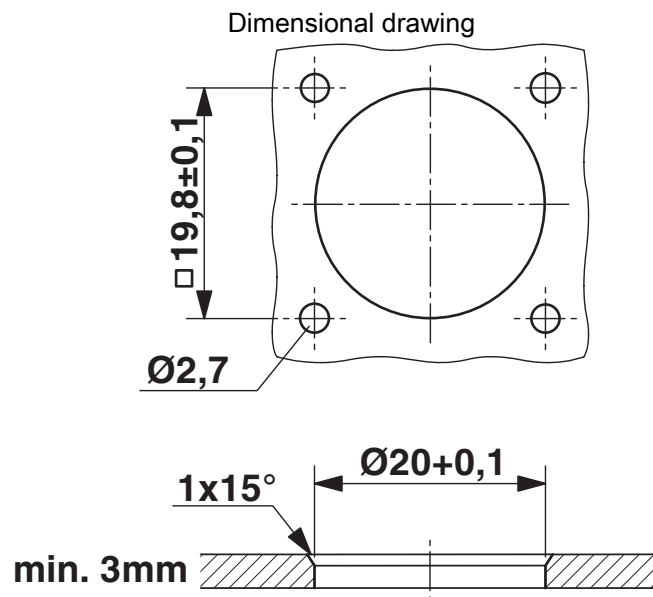
1598285

<https://www.phoenixcontact.com/us/products/1598285>

Drawings



Installation dimensions



Installation dimensions

RC-12P2N8AW400 - Device connector front mounting



1598285

<https://www.phoenixcontact.com/us/products/1598285>

Schematic diagram



Connector pin assignment

Phoenix Contact 2026 © - all rights reserved
<https://www.phoenixcontact.com>

Phoenix Contact USA
586 Fulling Mill Road
Middletown, PA 17057, United States
(+717) 944-1300
info@phoenixcon.com