

RC-12P2N8A2S00 - Device connector front mounting



1598206

<https://www.phoenixcontact.com/us/products/1598206>

Please be informed that the data shown in this PDF document is generated from our online catalog. Please find the complete data in the user documentation. Our general terms of use for downloads are valid.



M23, Device connector front mounting, application: Signal, series: RC, straight, shielded: yes, Screw locking mechanism, No. of pos.: 12, Direction of rotation: Counter direction, contact connection type: Pin, Crimp connection, Flat gasket, coding: N

Commercial data

Item number	1598206
Packing unit	40 pc
Minimum order quantity	1 pc
Note	Made to order (non-returnable)
Product key	ABRAFL
GTIN	4046356219662
Weight per piece (including packing)	18.91 g
Weight per piece (excluding packing)	18.91 g
Country of origin	DE

1598206

<https://www.phoenixcontact.com/us/products/1598206>

Technical data

Notes

Order information:	Order crimp contacts Ø 1 mm separately
--------------------	--

Product properties

Product type	Circular connectors (device side)
--------------	-----------------------------------

Connector

Insulating body

Note	Order information: Order crimp contacts Ø 1 mm separately
Coding	N
Material (Insulating body)	PA 6.6
Connection method	Crimp connection
Contact switching type	Pin
Application	Signal
Number of positions	12
Direction of rotation	Counter direction
Connection profile	12
Number (Contact group 1)	12
Contact diameter (Contact group 1)	1 mm
Rated current Contact (Contact group 1)	8 A (for max. connection cross section)
Rated voltage Contact (Contact group 1)	48 V AC 74 V DC
Rated surge voltage	1.5 kV
Overvoltage category	III
Degree of pollution	3

Housing

Type	Flange housing
Thread type	M23
Design	straight
Type of locking	Screw locking mechanism
Pg screw connection	none
Mounting type	Front mounting/square flange (4x Ø 3.2 mm)
Material (Housing)	Metal
Degree of protection (plugged in)	IP67
Seal for the device	Flat gasket

Environmental and real-life conditions

Ambient conditions

Permissible humidity (storage/transport)	50 % ... 65 %
--	---------------

RC-12P2N8A2S00 - Device connector front mounting

1598206

<https://www.phoenixcontact.com/us/products/1598206>

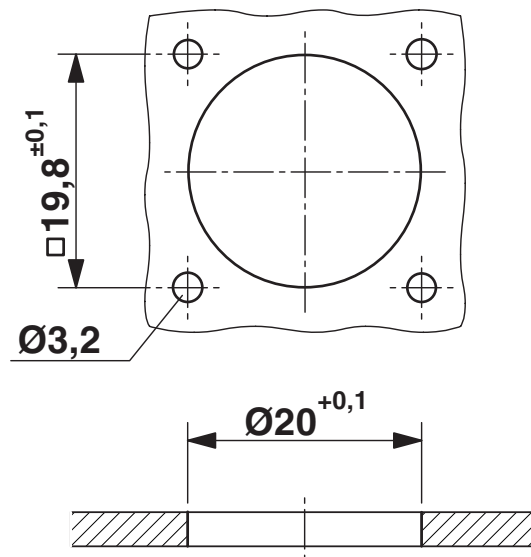
Drawings

Dimensional drawing



Installation dimensions

Dimensional drawing



Installation dimensions

RC-12P2N8A2S00 - Device connector front mounting



1598206

<https://www.phoenixcontact.com/us/products/1598206>

Schematic diagram



Connector pin assignment

RC-12P2N8A2S00 - Device connector front mounting



1598206

<https://www.phoenixcontact.com/us/products/1598206>

Classifications

ECLASS

ECLASS-13.0	27440116
-------------	----------

UNSPSC

UNSPSC 21.0	39121400
-------------	----------

RC-12P2N8A2S00 - Device connector front mounting



1598206

<https://www.phoenixcontact.com/us/products/1598206>

Environmental product compliance

EU RoHS

Fulfills EU RoHS substance requirements	Yes, No exemptions
---	--------------------

China RoHS

Environment friendly use period (EFUP)	EFUP-E
	No hazardous substances above the limits

EU REACH SVHC

REACH candidate substance (CAS No.)	No substance above 0.1 wt%
-------------------------------------	----------------------------

Phoenix Contact 2026 © - all rights reserved
<https://www.phoenixcontact.com>

Phoenix Contact USA
586 Fulling Mill Road
Middletown, PA 17057, United States
(+717) 944-1300
info@phoenixcon.com