

RC-12P2N8A2200 - Device connector front mounting



1598203

<https://www.phoenixcontact.com/us/products/1598203>

Please be informed that the data shown in this PDF document is generated from our online catalog. Please find the complete data in the user documentation. Our general terms of use for downloads are valid.



M23, Device connector front mounting, application: Signal, series: RC, straight, shielded: yes, Screw locking mechanism, No. of pos.: 12, Direction of rotation: Counter direction, contact connection type: Pin, Crimp connection, Flat gasket, flange dimensions: 25 mm x 25 mm, Panel thickness min.: 1 mm, coding: N. This product is in the process of being discontinued. This product must no longer be considered for new projects. Please contact your sales representative for alternatives.

Commercial data

Item number	1598203
Packing unit	40 pc
Minimum order quantity	1 pc
Note	Made to order (non-returnable)
Sales key	AB31
Product key	ABRAFL
GTIN	4046356219648
Weight per piece (including packing)	26.04 g
Weight per piece (excluding packing)	25.94 g
Customs tariff number	85366990
Country of origin	DE

RC-12P2N8A2200 - Device connector front mounting



1598203

<https://www.phoenixcontact.com/us/products/1598203>

Technical data

Notes

Order information:	Order crimp contacts Ø 1 mm separately
--------------------	--

Product properties

Product type	Circular connectors (device side)
--------------	-----------------------------------

Connector

Insulating body

Note	Order information: Order crimp contacts Ø 1 mm separately
Coding	N
Material (Insulating body)	PA 6.6
Connection method	Crimp connection
Contact switching type	Pin
Application	Signal
Number of positions	12
Direction of rotation	Counter direction
Connection profile	12
Number (Contact group 1)	12
Contact diameter (Contact group 1)	1 mm
Rated current Contact (Contact group 1)	8 A (for max. connection cross section)
Rated voltage Contact (Contact group 1)	48 V AC 74 V DC
Rated surge voltage	1.5 kV
Overvoltage category	III
Degree of pollution	3

Housing

Type	Flange housing
Thread type	M23
Design	straight
Type of locking	Screw locking mechanism
Pg screw connection	none
Mounting type	Front mounting/square flange (4x Ø 2.7 mm)
Flange dimensions	25 mm x 25 mm
Material (Housing)	GD-Zn
Material (Housing surface)	Ni
Material (Rotating parts)	CuZn
Degree of protection (plugged in)	IP67
Seal for the device	Flat gasket

Environmental and real-life conditions

RC-12P2N8A2200 - Device connector front mounting



1598203

<https://www.phoenixcontact.com/us/products/1598203>

Ambient conditions

Permissible humidity (storage/transport)	50 % ... 65 %
--	---------------

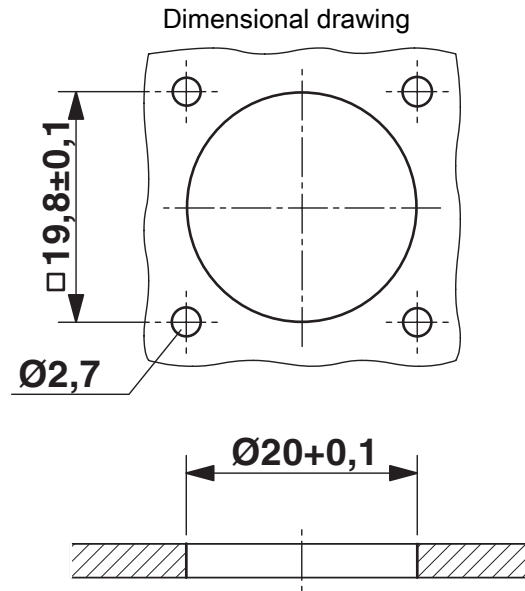
RC-12P2N8A2200 - Device connector front mounting



1598203

<https://www.phoenixcontact.com/us/products/1598203>

Drawings



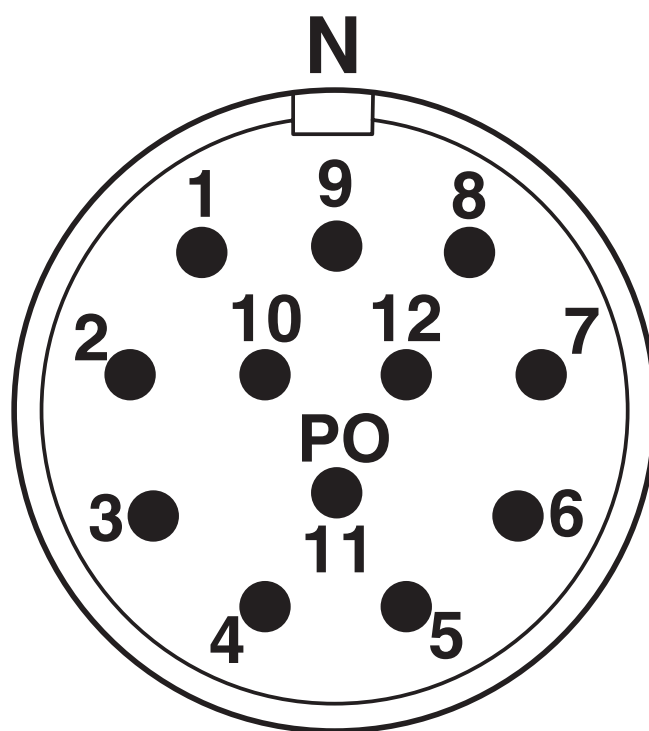
Installation dimensions

RC-12P2N8A2200 - Device connector front mounting

1598203

<https://www.phoenixcontact.com/us/products/1598203>

Schematic diagram



Connector pin assignment

RC-12P2N8A2200 - Device connector front mounting



1598203

<https://www.phoenixcontact.com/us/products/1598203>

Classifications

ECLASS

ECLASS-13.0	27440109
ECLASS-15.0	27440109

ETIM

ETIM 10.0	EC003569
-----------	----------

UNSPSC

UNSPSC 21.0	39121400
-------------	----------

1598203

<https://www.phoenixcontact.com/us/products/1598203>

Environmental product compliance

EU RoHS

Fulfills EU RoHS substance requirements	Yes
Exemption	6(c)

China RoHS

Environment friendly use period (EFUP)	EFUP-50
	An article-related China RoHS declaration table can be found in the download area for the respective article under "Manufacturer declaration". For all articles with EFUP-E, no China RoHS declaration table issued and required.

EU REACH SVHC

REACH candidate substance (CAS No.)	Lead(CAS: 7439-92-1)
SCIP	64986db4-b166-49b9-a6d8-bd7bab585d64

Phoenix Contact 2026 © - all rights reserved

<https://www.phoenixcontact.com>

Phoenix Contact USA
586 Fulling Mill Road
Middletown, PA 17057, United States
(+717) 944-1300
info@phoenixcon.com