

RC-12P2N12WQ00 - Device connector front mounting



1598133

<https://www.phoenixcontact.com/us/products/1598133>

Please be informed that the data shown in this PDF document is generated from our online catalog. Please find the complete data in the user documentation. Our general terms of use for downloads are valid.



M23, Device connector front mounting, application: Signal, series: RC, straight, shielded: yes, Screw locking mechanism, No. of pos.: 12, Direction of rotation: Counter direction, contact connection type: Pin, Solder cup, Radial O-ring, Panel thickness min. : 3 mm, coding: N, this item is expected to be lead-free from Q4 2025 in accordance with RoHS II without exception 6c (Pb < 0.1%), a lead-free alternative is possible on request in advance Alternative products: 1543921

The figure shows the 12-pos. product version with standard contact chamber numbering

Commercial data

Item number	1598133
Packing unit	40 pc
Minimum order quantity	1 pc
Product key	ABRAFL
GTIN	4046356219433
Weight per piece (including packing)	35.8 g
Weight per piece (excluding packing)	29.89 g
Country of origin	DE

1598133

<https://www.phoenixcontact.com/us/products/1598133>

Technical data

Product properties

Product type	Circular connectors (device side)
--------------	-----------------------------------

Connector

Insulating body

Coding	N
Material (Insulating body)	PBT
Material (Contact)	CuZn
Material (Contact surface)	Ni/Au
Insertion/withdrawal cycles	50
Connection method	Solder cup
Contact switching type	Pin
Application	Signal
Number of positions	12
Direction of rotation	Counter direction
Connection profile	12
Number (Contact group 1)	12
Contact diameter (Contact group 1)	1 mm
Litz wires Min. cross section (Contact group 1)	0.08 mm ²
Litz wires Max. cross section (Contact group 1)	1 mm ²
Rated current Contact (Contact group 1)	8 A (for max. connection cross section)
Rated voltage Contact (Contact group 1)	48 V AC 74 V DC
Rated surge voltage	1.5 kV
Overvoltage category	III
Degree of pollution	3

Housing

Type	Flange housing
Thread type	M23
Design	straight
Type of locking	Screw locking mechanism
Pg screw connection	none
Mounting type	Front mounting/square flange (4x Ø 2.7 mm)
Material (Housing)	GD-Zn
Material (Housing surface)	Ni
Material (Rotating parts)	CuZn
Degree of protection (plugged in)	IP67
Seal for the device	Radial O-ring

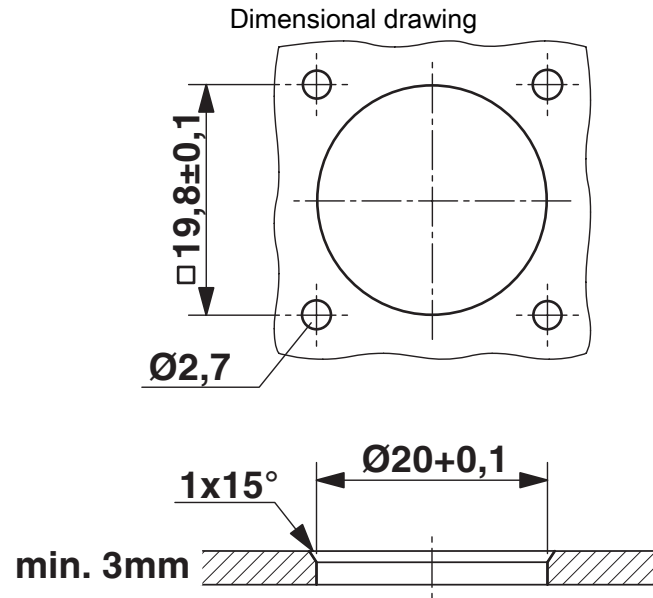
RC-12P2N12WQ00 - Device connector front mounting



1598133

<https://www.phoenixcontact.com/us/products/1598133>

Drawings

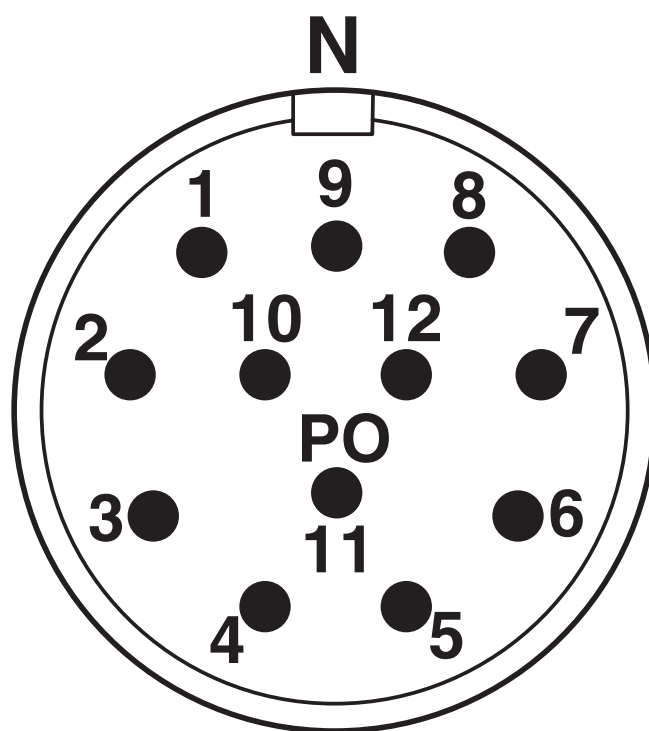


Installation dimensions

1598133

<https://www.phoenixcontact.com/us/products/1598133>

Schematic diagram



Connector pin assignment

1598133

<https://www.phoenixcontact.com/us/products/1598133>

Schematic diagram



Technical drawings can be found under Downloads

1598133

<https://www.phoenixcontact.com/us/products/1598133>

Classifications

ECLASS

ECLASS-13.0	27440109
ECLASS-15.0	27440109

ETIM

ETIM 9.0	EC003569
----------	----------

UNSPSC

UNSPSC 21.0	39121400
-------------	----------

1598133

<https://www.phoenixcontact.com/us/products/1598133>

Environmental product compliance

EU RoHS

Fulfills EU RoHS substance requirements	Yes
Exemption	6(c)

China RoHS

Environment friendly use period (EFUP)	EFUP-50
	An article-related China RoHS declaration table can be found in the download area for the respective article under "Manufacturer declaration". For all articles with EFUP-E, no China RoHS declaration table issued and required.

EU REACH SVHC

REACH candidate substance (CAS No.)	Lead(CAS: 7439-92-1)
SCIP	c09a4786-c907-4ee5-8f3a-69a0c885c262

Phoenix Contact 2026 © - all rights reserved

<https://www.phoenixcontact.com>

Phoenix Contact USA
586 Fulling Mill Road
Middletown, PA 17057, United States
(+717) 944-1300
info@phoenixcon.com