

# RC-12P2N12Q0G5 - Rear panel feed-through



1598111

<https://www.phoenixcontact.com/us/products/1598111>

Please be informed that the data shown in this PDF document is generated from our online catalog. Please find the complete data in the user documentation. Our general terms of use for downloads are valid.



M23, Rear panel feed-through, application: Signal, series: RC, straight, shielded: yes, No. of pos.: 12, Direction of rotation: Counter direction, contact connection type: Pin, Solder cup, Axial O-ring, cable diameter range: 6.5 mm ... 7.5 mm, coding: N. This product is in the process of being discontinued. This product must no longer be considered for new projects. Please contact your sales representative for alternatives.

## Commercial data

Item number	1598111
Packing unit	12 pc
Minimum order quantity	1 pc
Note	Made to order (non-returnable)
Product key	ABRAFJ
GTIN	4046356219358
Weight per piece (including packing)	107.366 g
Weight per piece (excluding packing)	98.333 g
Country of origin	DE

# RC-12P2N12Q0G5 - Rear panel feed-through



1598111

<https://www.phoenixcontact.com/us/products/1598111>

## Technical data

### Product properties

Product type	Circular connectors (device side)
--------------	-----------------------------------

### Connector

#### Insulating body

Coding	N
Material (Insulating body)	PBT
Material (Contact)	CuZn
Material (Contact surface)	Ni/Au
Insertion/withdrawal cycles	50
Connection method	Solder cup
Contact switching type	Pin
Application	Signal
Number of positions	12
Direction of rotation	Counter direction
Connection profile	12
Number (Contact group 1)	12
Contact diameter (Contact group 1)	1 mm
Litz wires Min. cross section (Contact group 1)	0.08 mm <sup>2</sup>
Litz wires Max. cross section (Contact group 1)	1 mm <sup>2</sup>
Rated current Contact (Contact group 1)	8 A (for max. connection cross section)
Rated voltage Contact (Contact group 1)	48 V AC 74 V DC
Rated surge voltage	1.5 kV
Overvoltage category	III
Degree of pollution	3

#### Housing

Type	Feed-through header
Thread type	M23
Design	straight
Mounting type	Rear mounting
Assembly note	Central fastening
Material (Housing)	GD-Zn
Material (Housing surface)	Ni
Material (Rotating parts)	CuZn
Degree of protection (plugged in)	IP67
Seal for the device	Axial O-ring

#### Seal

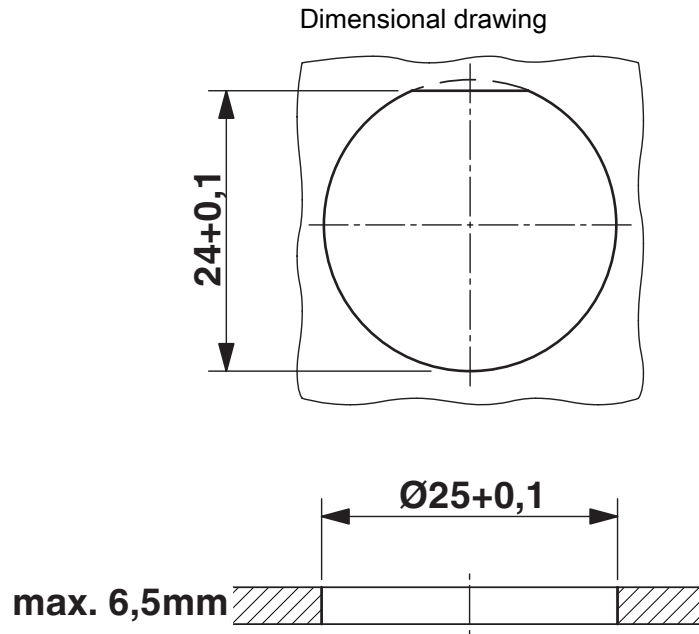
External cable diameter	6.5 mm ... 7.5 mm
-------------------------	-------------------

# RC-12P2N12Q0G5 - Rear panel feed-through

1598111

<https://www.phoenixcontact.com/us/products/1598111>

## Drawings



Installation dimensions

# RC-12P2N12Q0G5 - Rear panel feed-through



1598111

<https://www.phoenixcontact.com/us/products/1598111>

Schematic diagram



Connector pin assignment

# RC-12P2N12Q0G5 - Rear panel feed-through



1598111

<https://www.phoenixcontact.com/us/products/1598111>

Schematic diagram



Technical drawings can be found under Downloads

# RC-12P2N12Q0G5 - Rear panel feed-through



1598111

<https://www.phoenixcontact.com/us/products/1598111>

## Classifications

### ECLASS

ECLASS-13.0	27440109
ECLASS-15.0	27440109

### ETIM

ETIM 10.0	EC003569
-----------	----------

### UNSPSC

UNSPSC 21.0	39121400
-------------	----------

# RC-12P2N12Q0G5 - Rear panel feed-through



1598111

<https://www.phoenixcontact.com/us/products/1598111>

## Environmental product compliance

### EU RoHS

Fulfills EU RoHS substance requirements	Yes
Exemption	6(c)

### China RoHS

Environment friendly use period (EFUP)	EFUP-50
	An article-related China RoHS declaration table can be found in the download area for the respective article under "Manufacturer declaration". For all articles with EFUP-E, no China RoHS declaration table issued and required.

### EU REACH SVHC

REACH candidate substance (CAS No.)	Lead(CAS: 7439-92-1)
SCIP	1e3f8d2f-0d35-4b8c-9a7a-4c3a105b1de9

Phoenix Contact 2026 © - all rights reserved

<https://www.phoenixcontact.com>

Phoenix Contact USA  
586 Fulling Mill Road  
Middletown, PA 17057, United States  
(+717) 944-1300  
[info@phoenixcon.com](mailto:info@phoenixcon.com)