

RC-12P2N122300 - Device connector front mounting



1597897

<https://www.phoenixcontact.com/us/products/1597897>

Please be informed that the data shown in this PDF document is generated from our online catalog. Please find the complete data in the user documentation. Our general terms of use for downloads are valid.



M23, Device connector front mounting, application: Signal, series: RC, straight, shielded: yes, Screw locking mechanism, No. of pos.: 12, Direction of rotation: Counter direction, contact connection type: Pin, Solder cup, Flat gasket, coding: N. This product is in the process of being discontinued. This product must no longer be considered for new projects. Please contact your sales representative for alternatives. Alternative products: 1543918

The figure shows the 12-pos. product version with standard contact chamber numbering

Commercial data

Item number	1597897
Packing unit	40 pc
Minimum order quantity	40 pc
Note	Made to order (non-returnable)
Sales key	AB31
Product key	ABRAFL
GTIN	4046356218337
Weight per piece (including packing)	33.06 g
Weight per piece (excluding packing)	30.96 g
Customs tariff number	85366990
Country of origin	DE

RC-12P2N122300 - Device connector front mounting



1597897

<https://www.phoenixcontact.com/us/products/1597897>

Technical data

Product properties

Product type	Circular connectors (device side)
--------------	-----------------------------------

Connector

Insulating body

Coding	N
Material (Insulating body)	PBT
Material (Contact)	CuZn
Material (Contact surface)	Ni/Au
Insertion/withdrawal cycles	50
Connection method	Solder cup
Contact switching type	Pin
Application	Signal
Number of positions	12
Direction of rotation	Counter direction
Connection profile	12
Number (Contact group 1)	12
Contact diameter (Contact group 1)	1 mm
Litz wires Min. cross section (Contact group 1)	0.08 mm ²
Litz wires Max. cross section (Contact group 1)	1 mm ²
Rated current Contact (Contact group 1)	8 A (for max. connection cross section)
Rated voltage Contact (Contact group 1)	48 V AC 74 V DC
Rated surge voltage	1.5 kV
Overvoltage category	III
Degree of pollution	3

Housing

Type	Flange housing
Thread type	M23
Design	straight
Type of locking	Screw locking mechanism
Pg screw connection	none
Mounting type	Front mounting/square flange (4x Ø 3.2 mm)
Material (Housing)	Metal
Degree of protection (plugged in)	IP67
Seal for the device	Flat gasket

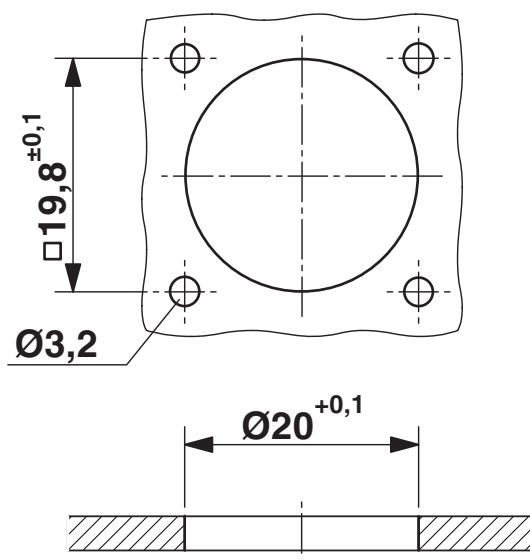
RC-12P2N122300 - Device connector front mounting

1597897

<https://www.phoenixcontact.com/us/products/1597897>

Drawings

Dimensional drawing

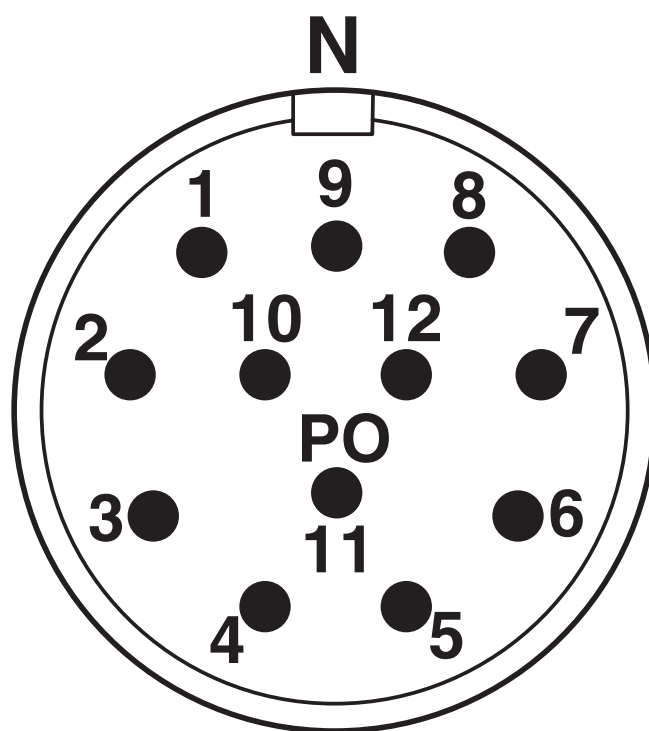


Installation dimensions

1597897

<https://www.phoenixcontact.com/us/products/1597897>

Schematic diagram



Connector pin assignment

RC-12P2N122300 - Device connector front mounting



1597897

<https://www.phoenixcontact.com/us/products/1597897>

Schematic diagram



Technical drawings can be found under Downloads

RC-12P2N122300 - Device connector front mounting



1597897

<https://www.phoenixcontact.com/us/products/1597897>

Classifications

ECLASS

ECLASS-13.0	27440109
ECLASS-15.0	27440109

ETIM

ETIM 10.0	EC003569
-----------	----------

UNSPSC

UNSPSC 21.0	39121400
-------------	----------

RC-12P2N122300 - Device connector front mounting



1597897

<https://www.phoenixcontact.com/us/products/1597897>

Environmental product compliance

EU RoHS

Fulfills EU RoHS substance requirements	Yes
Exemption	6(c)

China RoHS

Environment friendly use period (EFUP)	EFUP-50
	An article-related China RoHS declaration table can be found in the download area for the respective article under "Manufacturer declaration". For all articles with EFUP-E, no China RoHS declaration table issued and required.

EU REACH SVHC

REACH candidate substance (CAS No.)	Lead(CAS: 7439-92-1)
SCIP	e05e41e2-7648-4c7a-a33f-399055ee22df

Phoenix Contact 2026 © - all rights reserved

<https://www.phoenixcontact.com>

Phoenix Contact USA
586 Fulling Mill Road
Middletown, PA 17057, United States
(+717) 944-1300
info@phoenixcon.com