

RC-12P1NX2E0S7 - Device connector rear mounting



1597740

<https://www.phoenixcontact.com/us/products/1597740>

Please be informed that the data shown in this PDF document is generated from our online catalog. Please find the complete data in the user documentation. Our general terms of use for downloads are valid.



The figure shows the 17-pos.
product version

M23, Device connector rear mounting, series: RC, straight, shielded: yes, Screw locking mechanism, Radial O-ring, Panel thickness min.: 3 mm, Panel thickness max.: 10.5 mm. This product is in the process of being discontinued. This product must no longer be considered for new projects. Please contact your sales representative for alternatives.

Commercial data

Item number	1597740
Packing unit	20 pc
Minimum order quantity	1 pc
Product key	ABRAFR
GTIN	4046356217811
Weight per piece (including packing)	46.953 g
Weight per piece (excluding packing)	43.054 g
Country of origin	DE

RC-12P1NX2E0S7 - Device connector rear mounting



1597740

<https://www.phoenixcontact.com/us/products/1597740>

Technical data

Product properties

Product type	Circular connectors (device side)
--------------	-----------------------------------

Material specifications

Flammability rating according to UL 94	V0
--	----

Connection data

Conductor connection

Connection method	Solder-in connection
-------------------	----------------------

Connector

Housing

Type	Flange housing
Thread type	M23
Design	straight
Type of locking	Screw locking mechanism
Pg screw connection	none
Mounting type	Rear mounting/square flange (4x M3)
Material (Housing)	GD-Zn
Material (Housing surface)	Ni
Material (Rotating parts)	CuZn
Degree of protection (plugged in)	IP67
Seal for the device	Radial O-ring

Environmental and real-life conditions

Ambient conditions

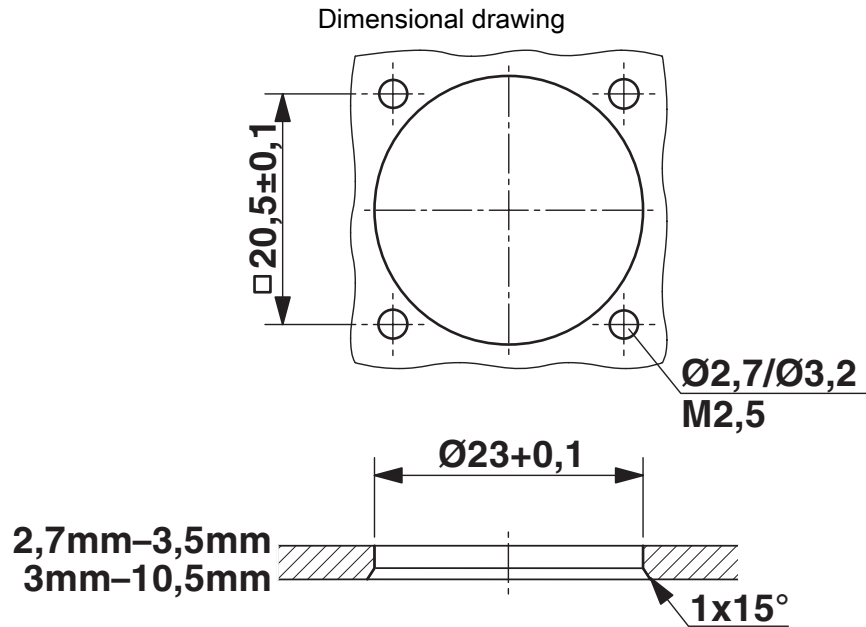
Degree of protection	IP67
----------------------	------

RC-12P1NX2E0S7 - Device connector rear mounting

1597740

<https://www.phoenixcontact.com/us/products/1597740>

Drawings



Installation dimensions

1597740

<https://www.phoenixcontact.com/us/products/1597740>

Classifications

ECLASS

ECLASS-13.0	27440109
ECLASS-15.0	27440109

ETIM

ETIM 10.0	EC003569
-----------	----------

UNSPSC

UNSPSC 21.0	39121400
-------------	----------

1597740

<https://www.phoenixcontact.com/us/products/1597740>

Environmental product compliance

EU RoHS

Fulfills EU RoHS substance requirements	Yes
Exemption	6(c)

China RoHS

Environment friendly use period (EFUP)	EFUP-50
	An article-related China RoHS declaration table can be found in the download area for the respective article under "Manufacturer declaration". For all articles with EFUP-E, no China RoHS declaration table issued and required.

EU REACH SVHC

REACH candidate substance (CAS No.)	Lead(CAS: 7439-92-1)
SCIP	1ac14734-e241-44d1-b099-991732e878c9

Phoenix Contact 2026 © - all rights reserved

<https://www.phoenixcontact.com>

Phoenix Contact USA
586 Fulling Mill Road
Middletown, PA 17057, United States
(+717) 944-1300
info@phoenixcon.com