

RC-12P1NV25013 - Device connector rear mounting



1597737

<https://www.phoenixcontact.com/us/products/1597737>

Please be informed that the data shown in this PDF document is generated from our online catalog. Please find the complete data in the user documentation. Our general terms of use for downloads are valid.



M23, Device connector rear mounting, series: RC, straight, Screw locking mechanism, Flat gasket, Panel thickness min.: 2.7 mm, Panel thickness max.: 3.5 mm. This product is in the process of being discontinued. This product must no longer be considered for new projects. Please contact your sales representative for alternatives.

Commercial data

Item number	1597737
Packing unit	20 pc
Minimum order quantity	20 pc
Sales key	AB31
Product key	ABRAFR
GTIN	4046356217798
Weight per piece (including packing)	37.2 g
Weight per piece (excluding packing)	33.57 g
Customs tariff number	85366990
Country of origin	DE

RC-12P1NV25013 - Device connector rear mounting



1597737

<https://www.phoenixcontact.com/us/products/1597737>

Technical data

Product properties

Product type	Circular connectors (device side)
--------------	-----------------------------------

Material specifications

Flammability rating according to UL 94	V0
--	----

Connector

Housing

Type	Flange housing
Thread type	M23
Design	straight
Type of locking	Screw locking mechanism
Pg screw connection	none
Mounting type	Rear mounting/square flange (4x Ø 2.7 mm)
Material (Housing)	Metal
Degree of protection (plugged in)	IP67
Seal for the device	Flat gasket

Environmental and real-life conditions

Ambient conditions

Degree of protection	IP67
----------------------	------

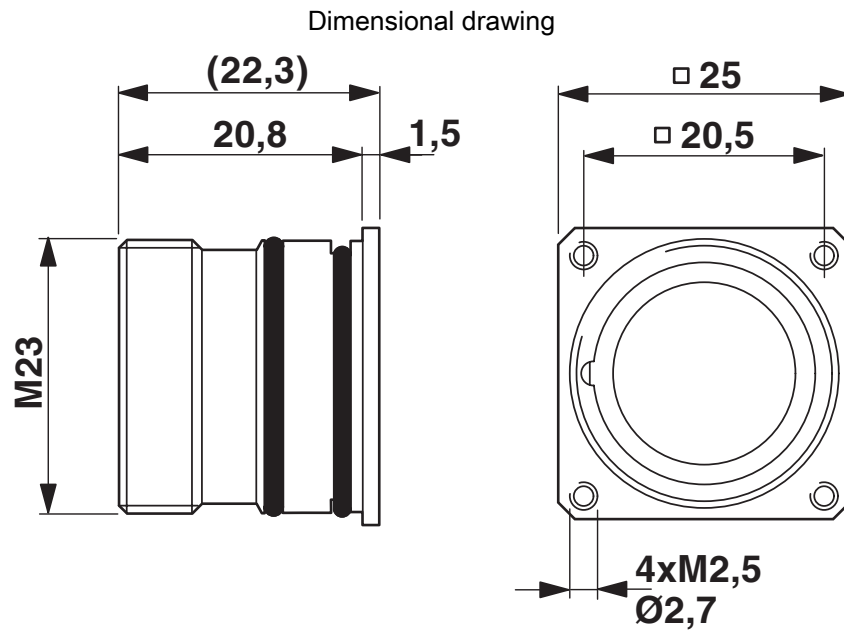
RC-12P1NV25013 - Device connector rear mounting



1597737

<https://www.phoenixcontact.com/us/products/1597737>

Drawings



Dimensional drawing

RC-12P1NV25013 - Device connector rear mounting



1597737

<https://www.phoenixcontact.com/us/products/1597737>

Classifications

ECLASS

ECLASS-13.0	27440109
ECLASS-15.0	27440109

ETIM

ETIM 10.0	EC003569
-----------	----------

UNSPSC

UNSPSC 21.0	39121400
-------------	----------

1597737

<https://www.phoenixcontact.com/us/products/1597737>

Environmental product compliance

EU RoHS

Fulfills EU RoHS substance requirements	Yes
Exemption	6(c)

China RoHS

Environment friendly use period (EFUP)	EFUP-50
	An article-related China RoHS declaration table can be found in the download area for the respective article under "Manufacturer declaration". For all articles with EFUP-E, no China RoHS declaration table issued and required.

EU REACH SVHC

REACH candidate substance (CAS No.)	Lead(CAS: 7439-92-1)
SCIP	c0ad9d40-70e7-4877-89a0-25c5436e80f7

Phoenix Contact 2026 © - all rights reserved

<https://www.phoenixcontact.com>

Phoenix Contact USA
586 Fulling Mill Road
Middletown, PA 17057, United States
(+717) 944-1300
info@phoenixcon.com