

# RC-12P1NA25100 - Device connector rear mounting



1597651

<https://www.phoenixcontact.com/us/products/1597651>

Please be informed that the data shown in this PDF document is generated from our online catalog. Please find the complete data in the user documentation. Our general terms of use for downloads are valid.



M23, Device connector rear mounting, application: Signal, series: RC, straight, Screw locking mechanism, No. of pos.: 12, Direction of rotation: Standard, contact connection type: Pin, Solder-in connection, Flat gasket, Panel thickness min.: 2.7 mm, Panel thickness max.: 3.5 mm, coding: N, Alternative product in accordance with RoHS II without Exemption 6c (Pb < 0.1 %) item no.: 1240867

## Commercial data

Item number	1597651
Packing unit	20 pc
Minimum order quantity	1 pc
Note	Made to order (non-returnable)
Product key	ABRAFR
GTIN	4046356217323
Weight per piece (including packing)	37.485 g
Weight per piece (excluding packing)	37.485 g
Country of origin	DE

# RC-12P1NA25100 - Device connector rear mounting



1597651

<https://www.phoenixcontact.com/us/products/1597651>

## Technical data

### Product properties

Product type	Circular connectors (device side)
Thread type	M23

### Material specifications

Flammability rating according to UL 94	V0
--	----

### Connection data

#### Conductor connection

Connection method	Solder connection
-------------------	-------------------

### Connector

#### Insulating body

Coding	N
Material (Insulating body)	PA 6.6
Material (Contact)	CuZn
Material (Contact surface)	Ni/Au
Flammability rating according to UL 94	V0
Insertion/withdrawal cycles	50
Connection method	Solder-in connection
Contact switching type	Pin
Application	Signal
Number of positions	12
Direction of rotation	Standard
Connection profile	12
Number (Contact group 1)	12
Contact diameter (Contact group 1)	1 mm
Rated current Contact (Contact group 1)	8 A (for max. connection cross section)
Rated voltage Contact (Contact group 1)	48 V AC 74 V DC
Rated surge voltage	1.5 kV
Overvoltage category	III
Degree of pollution	3

#### Housing

Type	Flange housing
Thread type	M23
Design	straight
Type of locking	Screw locking mechanism
Pg screw connection	none
Mounting type	Rear mounting/square flange (4x Ø 3.2 mm)

# RC-12P1NA25100 - Device connector rear mounting



1597651

<https://www.phoenixcontact.com/us/products/1597651>

Material (Housing)	Metal
Degree of protection (plugged in)	IP67
Seal for the device	Flat gasket

## Environmental and real-life conditions

### Ambient conditions

Degree of protection	IP67
----------------------	------

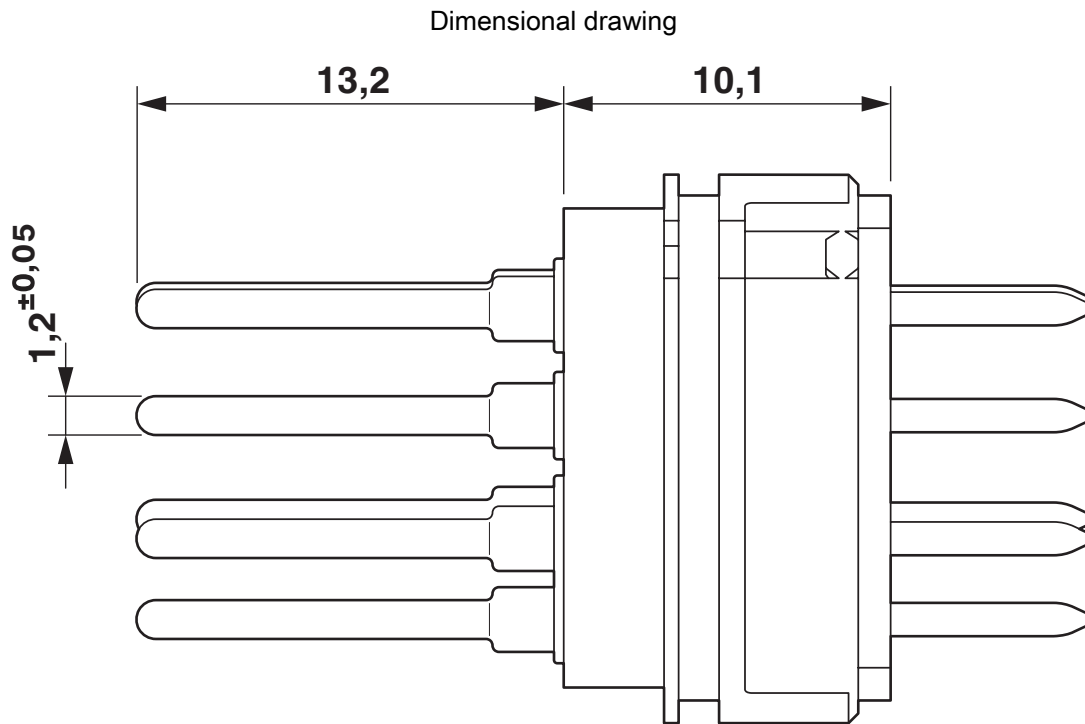
# RC-12P1NA25100 - Device connector rear mounting



1597651

<https://www.phoenixcontact.com/us/products/1597651>

## Drawings



Dimensional drawing

# RC-12P1NA25100 - Device connector rear mounting

1597651

<https://www.phoenixcontact.com/us/products/1597651>

Schematic diagram



Connector pin assignment

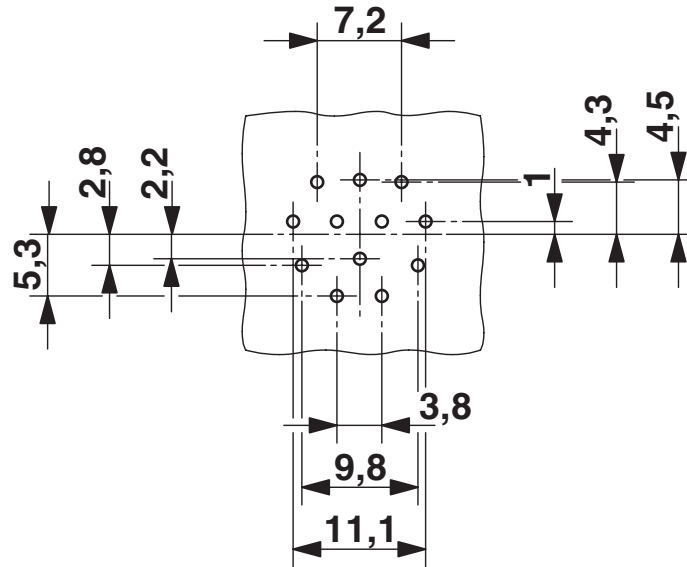
# RC-12P1NA25100 - Device connector rear mounting

1597651

<https://www.phoenixcontact.com/us/products/1597651>



Drilling plan/solder pad geometry



# RC-12P1NA25100 - Device connector rear mounting



1597651

<https://www.phoenixcontact.com/us/products/1597651>

## Classifications

### UNSPSC

UNSPSC 21.0	39121400
-------------	----------

# RC-12P1NA25100 - Device connector rear mounting



1597651

<https://www.phoenixcontact.com/us/products/1597651>

## Environmental product compliance

### EU RoHS

Fulfills EU RoHS substance requirements	Yes
Exemption	6(c)

### China RoHS

Environment friendly use period (EFUP)	EFUP-50
	An article-related China RoHS declaration table can be found in the download area for the respective article under "Manufacturer declaration". For all articles with EFUP-E, no China RoHS declaration table issued and required.

### EU REACH SVHC

REACH candidate substance (CAS No.)	Lead(CAS: 7439-92-1)
SCIP	6cee1a82-4351-42b9-8d88-61eb8d4a42f5

Phoenix Contact 2026 © - all rights reserved

<https://www.phoenixcontact.com>

Phoenix Contact USA  
586 Fulling Mill Road  
Middletown, PA 17057, United States  
(+717) 944-1300  
[info@phoenixcon.com](mailto:info@phoenixcon.com)