

# RC-12P1N8AQ0EP - Crimp contact



1597609

<https://www.phoenixcontact.com/us/products/1597609>

Please be informed that the data shown in this PDF document is generated from our online catalog. Please find the complete data in the user documentation. Our general terms of use for downloads are valid.

Crimp contact



## Commercial data

Item number	1597609
Packing unit	10 pc
Minimum order quantity	1 pc
Note	Made to order (non-returnable)
Product key	ABRAFJ
GTIN	4046356217033
Weight per piece (including packing)	165.6 g
Weight per piece (excluding packing)	165.6 g
Country of origin	DE

# RC-12P1N8AQ0EP - Crimp contact



1597609

<https://www.phoenixcontact.com/us/products/1597609>

## Technical data

### Notes

Order information:

Order crimp contacts Ø 1 mm separately

### Product properties

Product type

Circular connector (cable-side)

# RC-12P1N8AQ0EP - Crimp contact

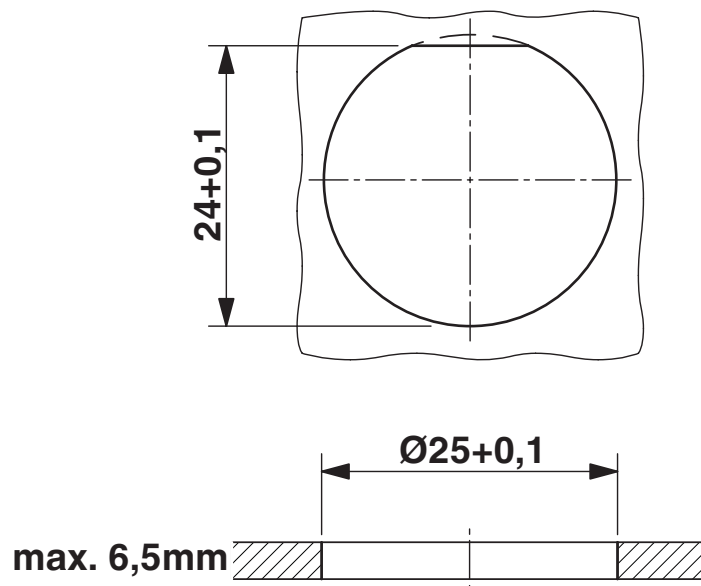
1597609

<https://www.phoenixcontact.com/us/products/1597609>



## Drawings

Dimensional drawing



Installation dimensions

# RC-12P1N8AQ0EP - Crimp contact



1597609

<https://www.phoenixcontact.com/us/products/1597609>

## Environmental product compliance

### China RoHS

Environment friendly use period (EFUP)	EFUP-50
	An article-related China RoHS declaration table can be found in the download area for the respective article under "Manufacturer declaration". For all articles with EFUP-E, no China RoHS declaration table issued and required.

### EU REACH SVHC

REACH candidate substance (CAS No.)	No substance above 0.1 wt%
-------------------------------------	----------------------------

Phoenix Contact 2026 © - all rights reserved  
<https://www.phoenixcontact.com>

Phoenix Contact USA  
586 Fulling Mill Road  
Middletown, PA 17057, United States  
(+717) 944-1300  
[info@phoenixcon.com](mailto:info@phoenixcon.com)