

RC-12P1N8A6100 - Device connector front mounting



1597494

<https://www.phoenixcontact.com/us/products/1597494>

Please be informed that the data shown in this PDF document is generated from our online catalog. Please find the complete data in the user documentation. Our general terms of use for downloads are valid.



M23, Device connector front mounting, application: Signal, series: RC, straight, shielded: yes, Screw locking mechanism, No. of pos.: 12, Direction of rotation: Standard, contact connection type: Pin, Crimp connection, Axial O-ring, Panel thickness min.: 0.8 mm, Panel thickness max.: 6.5 mm, coding: N, Item is lead-free in accordance with RoHS II without Exemption 6c (Pb < 0.1 %). This product is in the process of being discontinued. This product must no longer be considered for new projects. Please contact your sales representative for alternatives.

The figure shows the product with assembled crimp contacts. Please order crimp contacts separately.

Commercial data

Item number	1597494
Packing unit	40 pc
Minimum order quantity	1 pc
Sales key	BF19
Product key	ABRAFL
GTIN	4046356216371
Weight per piece (including packing)	33.25 g
Weight per piece (excluding packing)	30.54 g
Customs tariff number	85366990
Country of origin	DE

1597494

<https://www.phoenixcontact.com/us/products/1597494>

Technical data

Notes

Order information:	Order crimp contacts Ø 1 mm separately
--------------------	--

Product properties

Product type	Circular connectors (device side)
--------------	-----------------------------------

Connector

Insulating body

Note	Order information: Order crimp contacts Ø 1 mm separately
Coding	N
Material (Insulating body)	PA 6.6
Connection method	Crimp connection
Contact switching type	Pin
Application	Signal
Number of positions	12
Direction of rotation	Standard
Connection profile	12
Number (Contact group 1)	12
Contact diameter (Contact group 1)	1 mm
Rated current Contact (Contact group 1)	8 A (for max. connection cross section)
Rated voltage Contact (Contact group 1)	48 V AC 74 V DC
Rated surge voltage	1.5 kV
Overvoltage category	III
Degree of pollution	3

Housing

Order information:	Order contact inserts separately
Type	Feed-through header
Thread type	M23
Design	straight
Type of locking	Screw locking mechanism
Pg screw connection	none
Mounting type	Front mounting (M20 x 1,5)
Assembly note	Central fastening
Material (Housing)	GD-Zn
Material (Housing surface)	Ni
Material (Rotating parts)	CuZn
Degree of protection (plugged in)	IP67
Seal for the device	Axial O-ring

RC-12P1N8A6100 - Device connector front mounting



1597494

<https://www.phoenixcontact.com/us/products/1597494>

Environmental and real-life conditions

Ambient conditions

Permissible humidity (storage/transport)
--

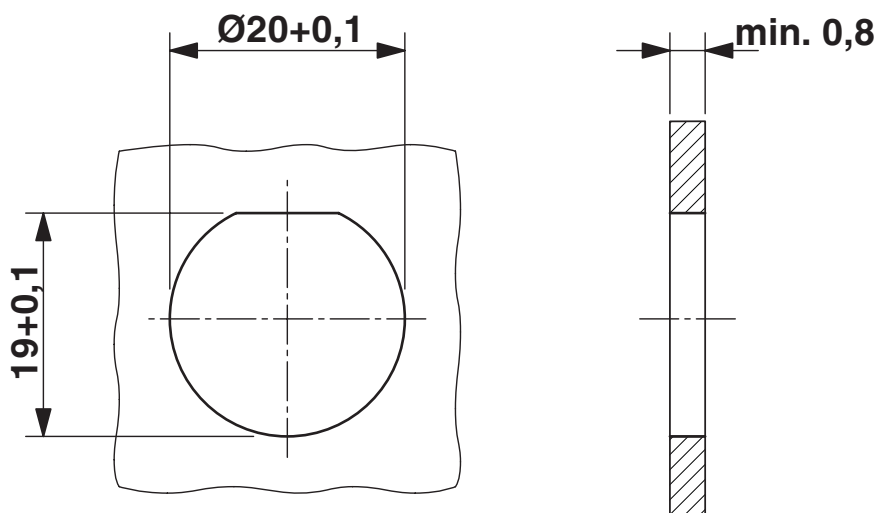
50 % ... 65 %

1597494

<https://www.phoenixcontact.com/us/products/1597494>

Drawings

Dimensional drawing



Installation dimensions

RC-12P1N8A6100 - Device connector front mounting



1597494

<https://www.phoenixcontact.com/us/products/1597494>

Schematic diagram



Connector pin assignment

1597494

<https://www.phoenixcontact.com/us/products/1597494>

Classifications

ECLASS

ECLASS-13.0	27440109
ECLASS-15.0	27440109

ETIM

ETIM 10.0	EC003569
-----------	----------

UNSPSC

UNSPSC 21.0	39121400
-------------	----------

RC-12P1N8A6100 - Device connector front mounting



1597494

<https://www.phoenixcontact.com/us/products/1597494>

Environmental product compliance

EU RoHS

Fulfills EU RoHS substance requirements	Yes, No exemptions
---	--------------------

China RoHS

Environment friendly use period (EFUP)	EFUP-E
	No hazardous substances above the limits

EU REACH SVHC

REACH candidate substance (CAS No.)	No substance above 0.1 wt%
-------------------------------------	----------------------------

Phoenix Contact 2026 © - all rights reserved
<https://www.phoenixcontact.com>

Phoenix Contact USA
586 Fulling Mill Road
Middletown, PA 17057, United States
(+717) 944-1300
info@phoenixcon.com