

# RC-12P1N8A4300 - Device connector rear mounting



1597491

<https://www.phoenixcontact.com/us/products/1597491>

Please be informed that the data shown in this PDF document is generated from our online catalog. Please find the complete data in the user documentation. Our general terms of use for downloads are valid.



The figure shows the product with assembled crimp contacts. Please order crimp contacts separately.

M23, Device connector rear mounting, application: Signal, series: RC, straight, Screw locking mechanism, No. of pos.: 12, Direction of rotation: Standard, contact connection type: Pin, Crimp connection, Radial O-ring, Panel thickness min.: 2.7 mm, Panel thickness max.: 3.5 mm, coding: N. This product is in the process of being discontinued. This product must no longer be considered for new projects. Please contact your sales representative for alternatives.

## Commercial data

|                                      |               |
|--------------------------------------|---------------|
| Item number                          | 1597491       |
| Packing unit                         | 40 pc         |
| Minimum order quantity               | 1 pc          |
| Product key                          | ABRAFR        |
| GTIN                                 | 4046356216340 |
| Weight per piece (including packing) | 29.42 g       |
| Weight per piece (excluding packing) | 27.281 g      |
| Country of origin                    | DE            |

## Technical data

### Notes

|                    |  |
|--------------------|--|
| Order information: | Order crimp contacts Ø 1 mm separately |
|--------------------|--|

### Product properties

|              |                                   |
|--------------|-----------------------------------|
| Product type | Circular connectors (device side) |
|--------------|-----------------------------------|

### Material specifications

|  |    |
|--|----|
| Flammability rating according to UL 94 | V0 |
|--|----|

### Connector

#### Insulating body

|   |   |
|---|---|
| Note                                    | Order information: Order crimp contacts Ø 1 mm separately |
| Coding                                  | N   |
| Material (Insulating body)              | PA 6.6  |
| Connection method                       | Crimp connection  |
| Contact switching type                  | Pin   |
| Application                             | Signal  |
| Number of positions                     | 12  |
| Direction of rotation                   | Standard  |
| Connection profile                      | 12  |
| Number (Contact group 1)                | 12  |
| Contact diameter (Contact group 1)      | 1 mm  |
| Rated current Contact (Contact group 1) | 8 A (for max. connection cross section)                   |
| Rated voltage Contact (Contact group 1) | 48 V AC   |
|   | 74 V DC   |
| Rated surge voltage                     | 1.5 kV  |
| Overvoltage category                    | III   |
| Degree of pollution                     | 3   |

#### Housing

|                                   |                                     |
|-----------------------------------|-------------------------------------|
| Type                              | Flange housing                      |
| Thread type                       | M23                                 |
| Design                            | straight                            |
| Type of locking                   | Screw locking mechanism             |
| Pg screw connection               | none                                |
| Mounting type                     | Rear mounting/square flange (4x M3) |
| Material (Housing)                | Metal                               |
| Degree of protection (plugged in) | IP67                                |
| Seal for the device               | Radial O-ring                       |

### Environmental and real-life conditions

# RC-12P1N8A4300 - Device connector rear mounting



1597491

<https://www.phoenixcontact.com/us/products/1597491>

## Ambient conditions

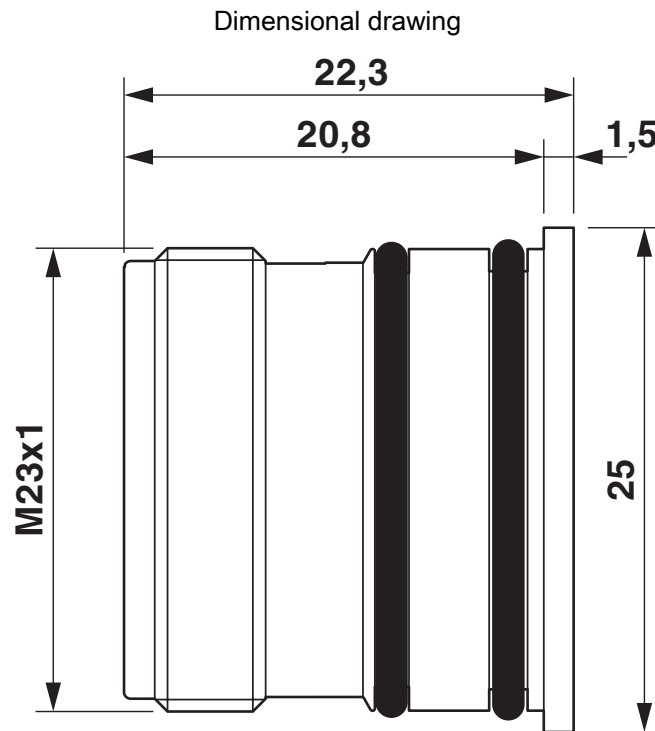
|  |               |
|--|---------------|
| Degree of protection                     | IP67          |
| Permissible humidity (storage/transport) | 50 % ... 65 % |

# RC-12P1N8A4300 - Device connector rear mounting

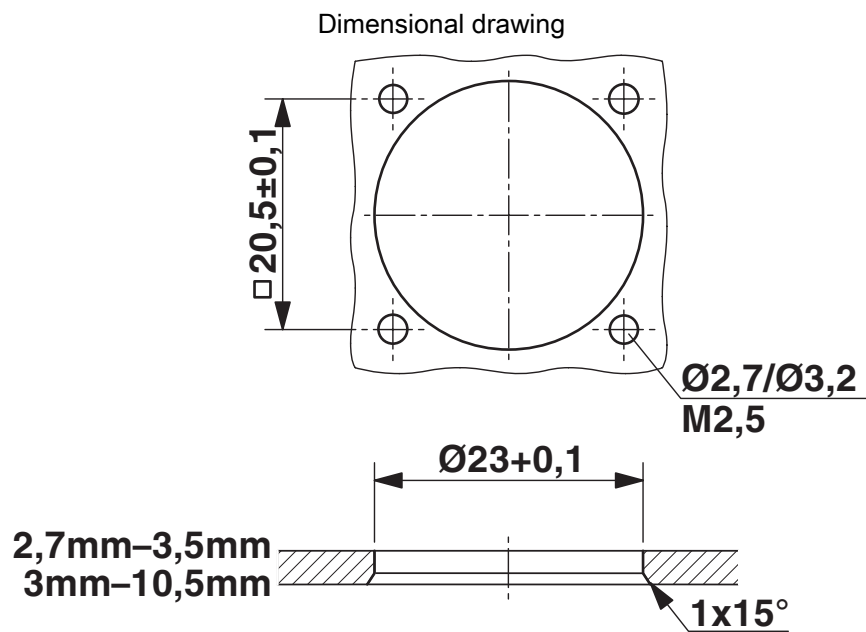
1597491

<https://www.phoenixcontact.com/us/products/1597491>

## Drawings



Dimensional drawing



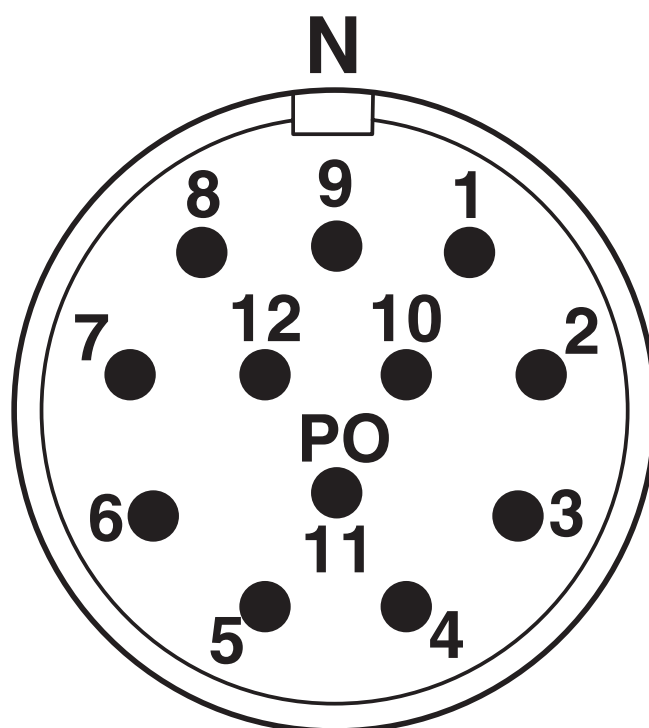
Installation dimensions

# RC-12P1N8A4300 - Device connector rear mounting

1597491

<https://www.phoenixcontact.com/us/products/1597491>

Schematic diagram



Connector pin assignment

# RC-12P1N8A4300 - Device connector rear mounting



1597491

<https://www.phoenixcontact.com/us/products/1597491>

## Classifications

### ECLASS

|             |          |
|-------------|----------|
| ECLASS-13.0 | 27440109 |
| ECLASS-15.0 | 27440109 |

### ETIM

|           |          |
|-----------|----------|
| ETIM 10.0 | EC003569 |
|-----------|----------|

### UNSPSC

|             |          |
|-------------|----------|
| UNSPSC 21.0 | 39121400 |
|-------------|----------|

# RC-12P1N8A4300 - Device connector rear mounting



1597491

<https://www.phoenixcontact.com/us/products/1597491>

## Environmental product compliance

### EU RoHS

|   |      |
|---|------|
| Fulfills EU RoHS substance requirements | Yes  |
| Exemption                               | 6(c) |

### China RoHS

|  |   |
|--|---|
| Environment friendly use period (EFUP) | EFUP-50   |
|  | An article-related China RoHS declaration table can be found in the download area for the respective article under "Manufacturer declaration". For all articles with EFUP-E, no China RoHS declaration table issued and required. |

### EU REACH SVHC

|                                     |                                      |
|-------------------------------------|--------------------------------------|
| REACH candidate substance (CAS No.) | Lead(CAS: 7439-92-1)                 |
| SCIP                                | 26b2b651-7ef2-4f4f-a6fa-f3f6725e6235 |

Phoenix Contact 2026 © - all rights reserved

<https://www.phoenixcontact.com>

Phoenix Contact USA  
586 Fulling Mill Road  
Middletown, PA 17057, United States  
(+717) 944-1300  
[info@phoenixcon.com](mailto:info@phoenixcon.com)