

RC-12P1N12W200 - Device connector front mounting



1597375

<https://www.phoenixcontact.com/us/products/1597375>

Please be informed that the data shown in this PDF document is generated from our online catalog. Please find the complete data in the user documentation. Our general terms of use for downloads are valid.



M23, Device connector front mounting, application: Signal, series: RC, straight, shielded: yes, Screw locking mechanism, No. of pos.: 12, Direction of rotation: Standard, contact connection type: Pin, Solder cup, Radial O-ring, coding: N. This product is in the process of being discontinued. This product must no longer be considered for new projects. Please contact your sales representative for alternatives. Alternative products: 1339330

Commercial data

| | |
|--------------------------------------|---------------|
| Item number | 1597375 |
| Packing unit | 40 pc |
| Minimum order quantity | 1 pc |
| Product key | ABRAFL |
| GTIN | 4046356215756 |
| Weight per piece (including packing) | 37.65 g |
| Weight per piece (excluding packing) | 33.52 g |
| Country of origin | DE |

RC-12P1N12W200 - Device connector front mounting



1597375

<https://www.phoenixcontact.com/us/products/1597375>

Technical data

Product properties

| | |
|--------------|-----------------------------------|
| Product type | Circular connectors (device side) |
|--------------|-----------------------------------|

Connector

Insulating body

| | |
|---|---|
| Coding | N |
| Material (Insulating body) | PBT |
| Material (Contact) | CuZn |
| Material (Contact surface) | Ni/Au |
| Insertion/withdrawal cycles | 100 |
| Connection method | Solder cup |
| Contact switching type | Pin |
| Application | Signal |
| Number of positions | 12 |
| Direction of rotation | Standard |
| Connection profile | 12 |
| Number (Contact group 1) | 12 |
| Contact diameter (Contact group 1) | 1 mm |
| Litz wires Min. cross section (Contact group 1) | 0.08 mm ² |
| Litz wires Max. cross section (Contact group 1) | 1 mm ² |
| Rated current Contact (Contact group 1) | 8 A (for max. connection cross section) |
| Rated voltage Contact (Contact group 1) | 48 V AC 74 V DC |
| Rated surge voltage | 1.5 kV |
| Overvoltage category | III |
| Degree of pollution | 3 |

Housing

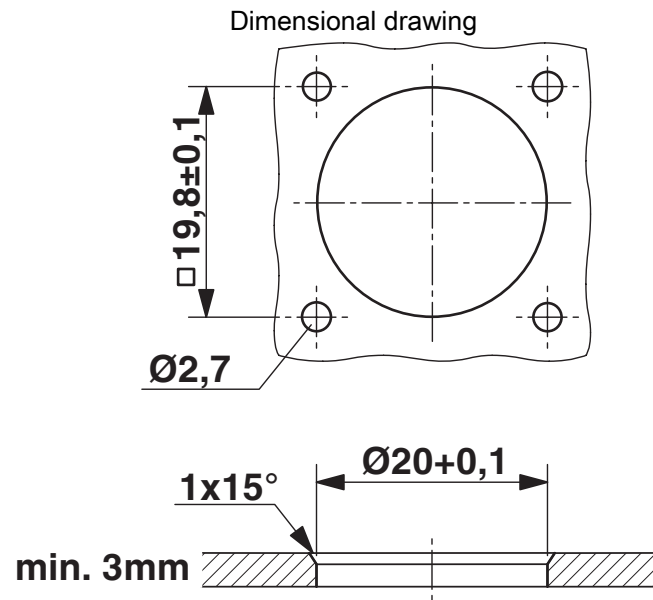
| | |
|-----------------------------------|--|
| Type | Flange housing |
| Thread type | M23 |
| Design | straight |
| Type of locking | Screw locking mechanism |
| Pg screw connection | none |
| Mounting type | Front mounting/square flange (4x Ø 2.7 mm) |
| Material (Housing) | Metal |
| Degree of protection (plugged in) | IP67 |
| Seal for the device | Radial O-ring |

RC-12P1N12W200 - Device connector front mounting

1597375

<https://www.phoenixcontact.com/us/products/1597375>

Drawings



Installation dimensions

Schematic diagram



Connector pin assignment

Schematic diagram



Dimensional drawing

1597375

<https://www.phoenixcontact.com/us/products/1597375>

Classifications

ECLASS

| | |
|-------------|----------|
| ECLASS-13.0 | 27440109 |
| ECLASS-15.0 | 27440109 |

ETIM

| | |
|-----------|----------|
| ETIM 10.0 | EC003569 |
|-----------|----------|

UNSPSC

| | |
|-------------|----------|
| UNSPSC 21.0 | 39121400 |
|-------------|----------|

RC-12P1N12W200 - Device connector front mounting



1597375

<https://www.phoenixcontact.com/us/products/1597375>

Environmental product compliance

EU RoHS

| | |
|---|--------------------|
| Fulfills EU RoHS substance requirements | Yes, No exemptions |
|---|--------------------|

China RoHS

| | |
|--|--|
| Environment friendly use period (EFUP) | EFUP-E |
| | No hazardous substances above the limits |

EU REACH SVHC

| | |
|-------------------------------------|----------------------------|
| REACH candidate substance (CAS No.) | No substance above 0.1 wt% |
|-------------------------------------|----------------------------|

Phoenix Contact 2026 © - all rights reserved
<https://www.phoenixcontact.com>

Phoenix Contact USA
586 Fulling Mill Road
Middletown, PA 17057, United States
(+717) 944-1300
info@phoenixcon.com