

# RC-12P1N12C063 - Rear panel feed-through



1597155

<https://www.phoenixcontact.com/us/products/1597155>

Please be informed that the data shown in this PDF document is generated from our online catalog. Please find the complete data in the user documentation. Our general terms of use for downloads are valid.



M23, Rear panel feed-through, application: Signal, series: RC, straight, shielded: yes, Screw locking mechanism, No. of pos.: 12, Direction of rotation: Standard, contact connection type: Pin, Solder cup, Flat gasket, Panel thickness max.: 2.5 mm, cable diameter range: 5.5 mm ... 6.5 mm, coding: N, Alternative product in accordance with RoHS II without Exemption 6c (Pb < 0.1 %) item no.: 1240806

## Commercial data

Item number	1597155
Packing unit	20 pc
Minimum order quantity	1 pc
Note	Made to order (non-returnable)
Product key	ABRAFJ
GTIN	4046356214605
Weight per piece (including packing)	96.3 g
Weight per piece (excluding packing)	86.44 g
Country of origin	DE

# RC-12P1N12C063 - Rear panel feed-through



1597155

<https://www.phoenixcontact.com/us/products/1597155>

## Technical data

### Product properties

Product type	Circular connector (cable-side)
--------------	---------------------------------

### Connector

#### Insulating body

Coding	N
Material (Insulating body)	PBT
Material (Contact)	CuZn
Material (Contact surface)	Ni/Au
Insertion/withdrawal cycles	100
Connection method	Solder cup
Contact switching type	Pin
Application	Signal
Number of positions	12
Direction of rotation	Standard
Connection profile	12
Number (Contact group 1)	12
Contact diameter (Contact group 1)	1 mm
Litz wires Min. cross section (Contact group 1)	0.08 mm <sup>2</sup>
Litz wires Max. cross section (Contact group 1)	1 mm <sup>2</sup>
Rated current Contact (Contact group 1)	8 A (for max. connection cross section)
Rated voltage Contact (Contact group 1)	48 V AC 74 V DC
Rated surge voltage	1.5 kV
Overvoltage category	III
Degree of pollution	3

#### Housing

Type	Feed-through header
Thread type	M23
Design	straight
Type of locking	Screw locking mechanism
Pg screw connection	none
Mounting type	Rear mounting/square flange (4x M2,5)
Material (Housing)	GD-Zn
Material (Rotating parts)	CuZn
Material (Housing surface)	Ni
Material (Seal)	FPM (O-ring)
Degree of protection (plugged in)	IP67
Seal for the device	Flat gasket

#### Seal

# RC-12P1N12C063 - Rear panel feed-through



1597155

<https://www.phoenixcontact.com/us/products/1597155>

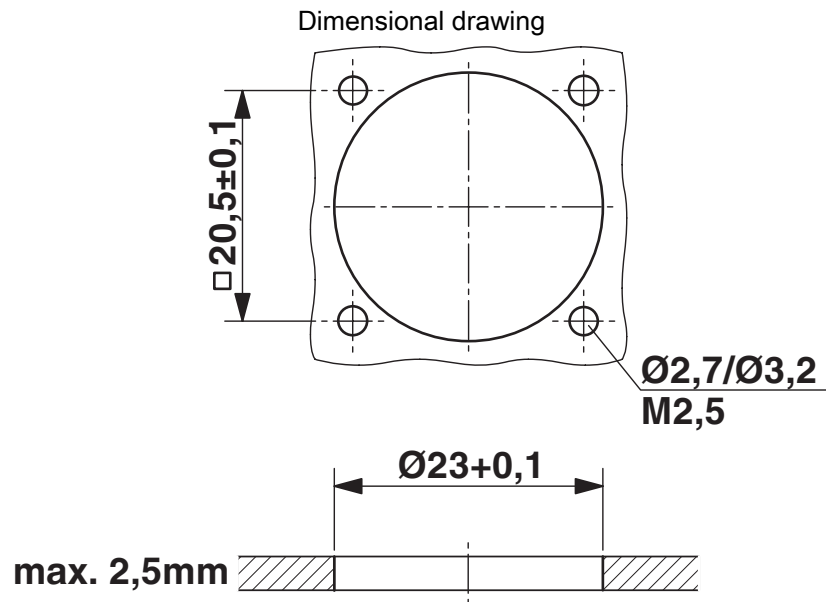
External cable diameter	5.5 mm ... 6.5 mm
-------------------------	-------------------

# RC-12P1N12C063 - Rear panel feed-through

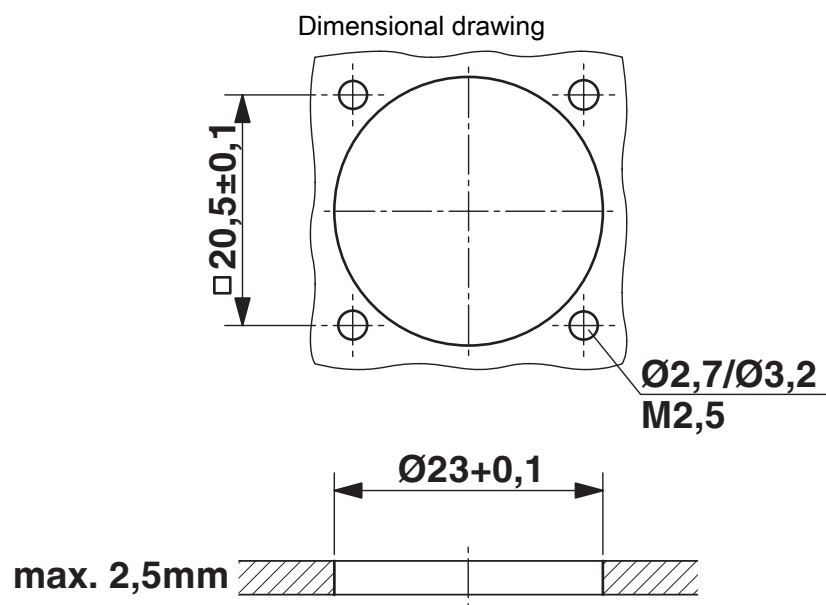
1597155

<https://www.phoenixcontact.com/us/products/1597155>

## Drawings



## Installation dimensions



## Installation dimensions

# RC-12P1N12C063 - Rear panel feed-through



1597155

<https://www.phoenixcontact.com/us/products/1597155>

Schematic diagram



Connector pin assignment

# RC-12P1N12C063 - Rear panel feed-through



1597155

<https://www.phoenixcontact.com/us/products/1597155>

Schematic diagram



Dimensional drawing

# RC-12P1N12C063 - Rear panel feed-through



1597155

<https://www.phoenixcontact.com/us/products/1597155>

## Classifications

### ECLASS

ECLASS-13.0	27440116
-------------	----------

### UNSPSC

UNSPSC 21.0	39121400
-------------	----------

# RC-12P1N12C063 - Rear panel feed-through



1597155

<https://www.phoenixcontact.com/us/products/1597155>

## Environmental product compliance

### EU RoHS

Fulfills EU RoHS substance requirements	Yes
Exemption	6(c)

### China RoHS

Environment friendly use period (EFUP)	EFUP-50
	An article-related China RoHS declaration table can be found in the download area for the respective article under "Manufacturer declaration". For all articles with EFUP-E, no China RoHS declaration table issued and required.

### EU REACH SVHC

REACH candidate substance (CAS No.)	Lead(CAS: 7439-92-1)
SCIP	8108811d-4e15-44ae-aa0b-4ebe2a275e26

Phoenix Contact 2026 © - all rights reserved

<https://www.phoenixcontact.com>

Phoenix Contact USA  
586 Fulling Mill Road  
Middletown, PA 17057, United States  
(+717) 944-1300  
[info@phoenixcon.com](mailto:info@phoenixcon.com)