

# RC-12P1N124100 - Device connector rear mounting



1596916

<https://www.phoenixcontact.com/us/products/1596916>

Please be informed that the data shown in this PDF document is generated from our online catalog. Please find the complete data in the user documentation. Our general terms of use for downloads are valid.



M23, Device connector rear mounting, application: Signal, series: RC, straight, Screw locking mechanism, No. of pos.: 12, Direction of rotation: Standard, contact connection type: Pin, Solder cup, Flat gasket, Panel thickness min.: 2.7 mm, Panel thickness max.: 3.5 mm, coding: N, Alternative product in accordance with RoHS II without Exemption 6c (Pb < 0.1 %) item no.: 1240757

## Commercial data

Item number	1596916
Packing unit	40 pc
Minimum order quantity	1 pc
Product key	ABRAFR
GTIN	4046356213332
Weight per piece (including packing)	34.53 g
Weight per piece (excluding packing)	29.53 g
Country of origin	DE

# RC-12P1N124100 - Device connector rear mounting



1596916

<https://www.phoenixcontact.com/us/products/1596916>

## Technical data

### Product properties

Product type	Circular connectors (device side)
Thread type	M23

### Material specifications

Flammability rating according to UL 94	V0
--	----

### Connection data

#### Conductor connection

Connection method	Solder connection
-------------------	-------------------

### Connector

#### Insulating body

Coding	N
Material (Insulating body)	PBT
Material (Contact)	CuZn
Material (Contact surface)	Ni/Au
Insertion/withdrawal cycles	100
Connection method	Solder cup
Contact switching type	Pin
Application	Signal
Number of positions	12
Direction of rotation	Standard
Connection profile	12
Number (Contact group 1)	12
Contact diameter (Contact group 1)	1 mm
Litz wires Min. cross section (Contact group 1)	0.08 mm <sup>2</sup>
Litz wires Max. cross section (Contact group 1)	1 mm <sup>2</sup>
Rated current Contact (Contact group 1)	8 A (for max. connection cross section)
Rated voltage Contact (Contact group 1)	48 V AC 74 V DC
Rated surge voltage	1.5 kV
Overvoltage category	III
Degree of pollution	3

#### Housing

Type	Flange housing
Thread type	M23
Design	straight
Type of locking	Screw locking mechanism
Pg screw connection	none

# RC-12P1N124100 - Device connector rear mounting



1596916

<https://www.phoenixcontact.com/us/products/1596916>

Mounting type	Rear mounting/square flange (4x M3)
Material (Housing)	Metal
Degree of protection (plugged in)	IP67
Seal for the device	Flat gasket

## Environmental and real-life conditions

### Ambient conditions

Degree of protection	IP67
----------------------	------

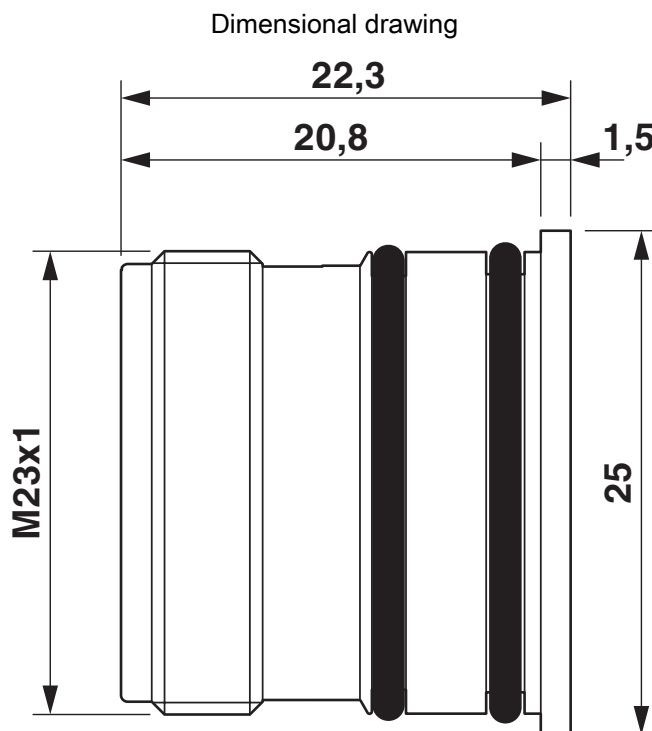
# RC-12P1N124100 - Device connector rear mounting



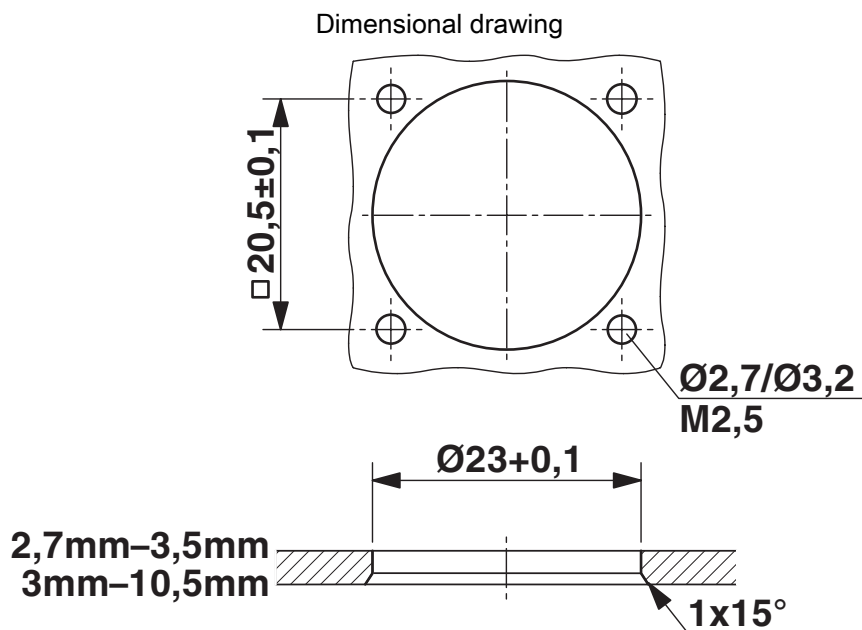
1596916

<https://www.phoenixcontact.com/us/products/1596916>

## Drawings



Dimensional drawing

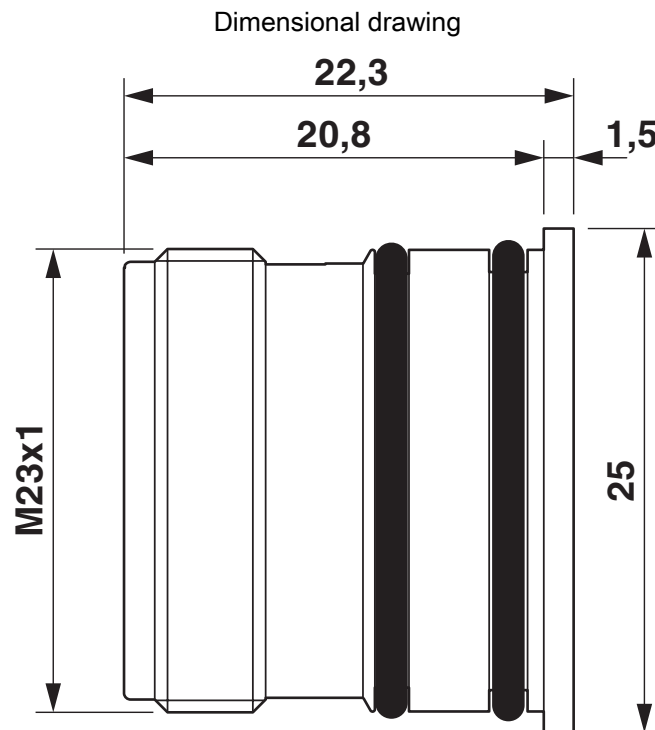


Installation dimensions

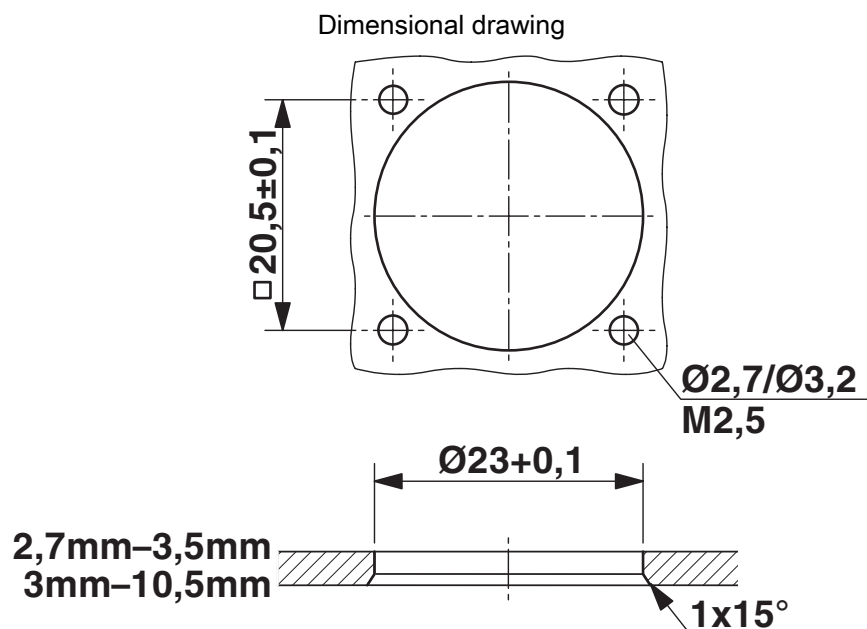
# RC-12P1N124100 - Device connector rear mounting

1596916

<https://www.phoenixcontact.com/us/products/1596916>



Dimensional drawing

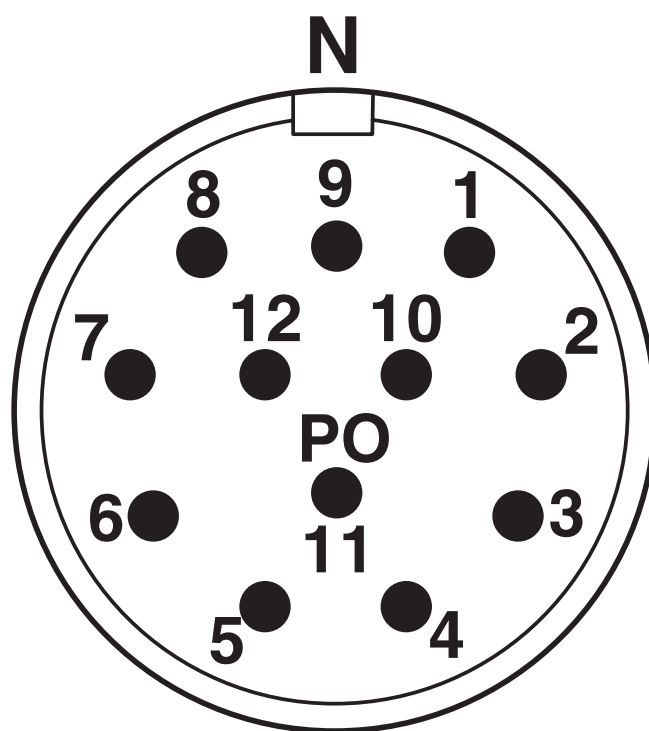


Installation dimensions

1596916

<https://www.phoenixcontact.com/us/products/1596916>

Schematic diagram



Connector pin assignment

# RC-12P1N124100 - Device connector rear mounting



1596916

<https://www.phoenixcontact.com/us/products/1596916>

Schematic diagram



Dimensional drawing

# RC-12P1N124100 - Device connector rear mounting



1596916

<https://www.phoenixcontact.com/us/products/1596916>

## Classifications

### UNSPSC

UNSPSC 21.0	39121400
-------------	----------

1596916

<https://www.phoenixcontact.com/us/products/1596916>

## Environmental product compliance

### EU RoHS

Fulfills EU RoHS substance requirements	Yes
Exemption	6(c)

### China RoHS

Environment friendly use period (EFUP)	EFUP-50
	An article-related China RoHS declaration table can be found in the download area for the respective article under "Manufacturer declaration". For all articles with EFUP-E, no China RoHS declaration table issued and required.

### EU REACH SVHC

REACH candidate substance (CAS No.)	Lead(CAS: 7439-92-1)
SCIP	e3209cb4-da6c-481c-a3b9-fd9f5e54a256

Phoenix Contact 2026 © - all rights reserved

<https://www.phoenixcontact.com>

Phoenix Contact USA  
586 Fulling Mill Road  
Middletown, PA 17057, United States  
(+717) 944-1300  
[info@phoenixcon.com](mailto:info@phoenixcon.com)