

# RC-09S1N8AH000 - Device connector rear mounting



1596378

<https://www.phoenixcontact.com/us/products/1596378>

Please be informed that the data shown in this PDF document is generated from our online catalog. Please find the complete data in the user documentation. Our general terms of use for downloads are valid.



The figure shows the 12-pos.  
product version

M23, Device connector rear mounting, application: Signal, series: RC, straight, shielded: yes, Screw locking mechanism, No. of pos.: 8+1, Direction of rotation: Standard, contact connection type: Socket, Crimp connection, Axial O-ring, Panel thickness min.: 0.8 mm, Panel thickness max.: 6.5 mm, coding: N

## Commercial data

Item number	1596378
Packing unit	20 pc
Minimum order quantity	1 pc
Note	Made to order (non-returnable)
Product key	ABRAFR
GTIN	4046356210980
Weight per piece (including packing)	59.34 g
Weight per piece (excluding packing)	54.24 g
Country of origin	DE

# RC-09S1N8AH000 - Device connector rear mounting



1596378

<https://www.phoenixcontact.com/us/products/1596378>

## Technical data

### Notes

Order information:	Order crimp contacts 8 x Ø 1 mm, 1 x Ø 2 mm separately
--------------------	--

### Product properties

Product type	Circular connectors (device side)
--------------	-----------------------------------

### Connector

#### Insulating body

Note	Order information: Order crimp contacts 8 x Ø 1 mm, 1 x Ø 2 mm separately
Coding	N
Material (Insulating body)	PA 6.6
Connection method	Crimp connection
Contact switching type	Socket
Application	Signal
Number of positions	9
Direction of rotation	Standard
Connection profile	8+1
Number (Contact group 1)	1
Contact diameter (Contact group 1)	2 mm
Rated current Contact (Contact group 1)	20 A (for max. connection cross section)
Rated voltage Contact (Contact group 1)	48 V AC 74 V DC
Rated surge voltage	1.5 kV
Overvoltage category	III
Degree of pollution	3
Number (Contact group 2)	8
Contact diameter (Contact group 2)	1 mm
Rated current Contact (Contact group 2)	8 A
Rated voltage Contact (Contact group 2)	48 V AC 48 V AC

#### Housing

Type	Feed-through header
Thread type	M23
Design	straight
Type of locking	Screw locking mechanism
Pg screw connection	none
Mounting type	Rear mounting (M25 x 1,5)
Assembly note	Central fastening
Material (Housing)	GD-Zn
Material (Housing surface)	Ni

# RC-09S1N8AH000 - Device connector rear mounting



1596378

<https://www.phoenixcontact.com/us/products/1596378>

Material (Rotating parts)	CuZn
Degree of protection (plugged in)	IP67
Seal for the device	Axial O-ring

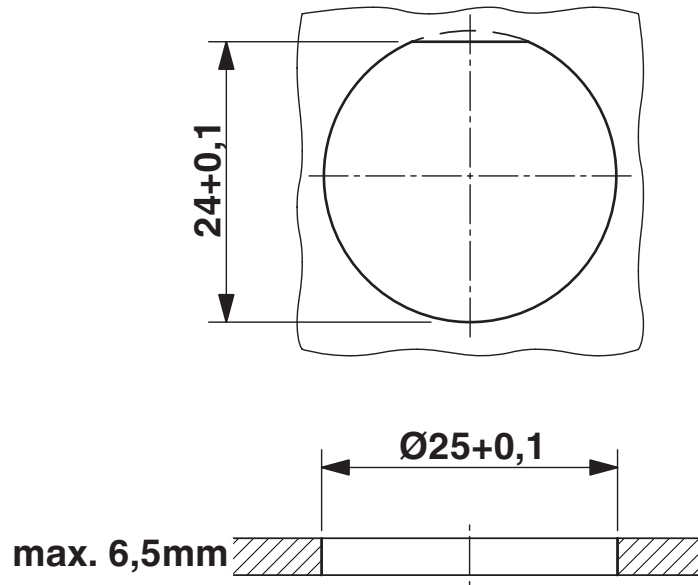
# RC-09S1N8AH000 - Device connector rear mounting

1596378

<https://www.phoenixcontact.com/us/products/1596378>

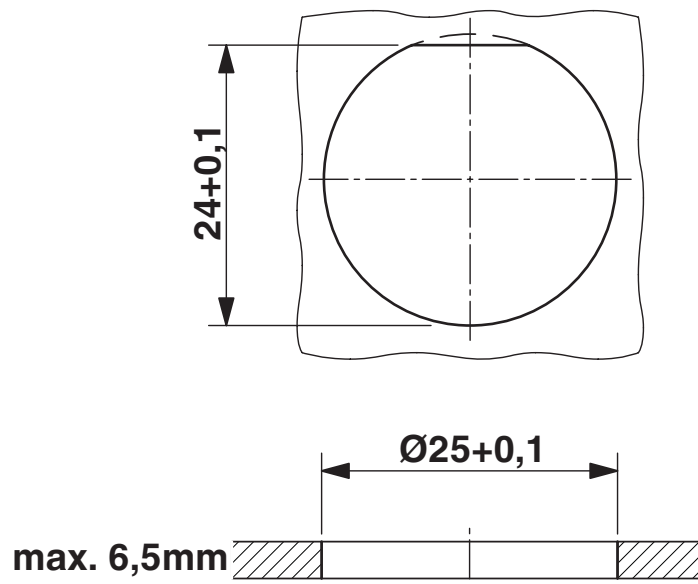
## Drawings

Dimensional drawing



Installation dimensions

Dimensional drawing



Installation dimensions

1596378

<https://www.phoenixcontact.com/us/products/1596378>

Schematic diagram



Connector pin assignment

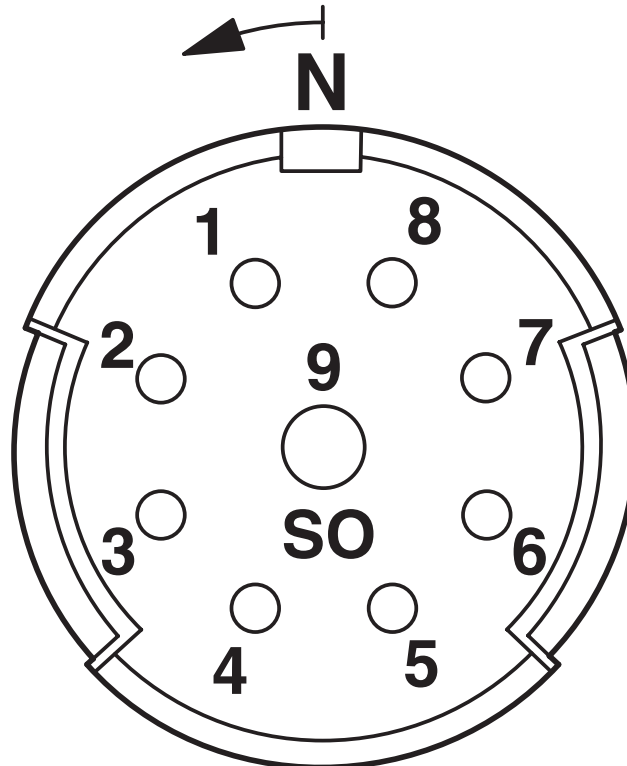
# RC-09S1N8AH000 - Device connector rear mounting



1596378

<https://www.phoenixcontact.com/us/products/1596378>

Schematic diagram



Connector pin assignment

Phoenix Contact 2026 © - all rights reserved  
<https://www.phoenixcontact.com>

Phoenix Contact USA  
586 Fulling Mill Road  
Middletown, PA 17057, United States  
(+717) 944-1300  
[info@phoenixcon.com](mailto:info@phoenixcon.com)