

# RC-09S1N124200 - Device connector rear mounting



1595846

<https://www.phoenixcontact.com/us/products/1595846>

Please be informed that the data shown in this PDF document is generated from our online catalog. Please find the complete data in the user documentation. Our general terms of use for downloads are valid.



M23, Device connector rear mounting, application: Signal, series: RC, straight, shielded: yes, Screw locking mechanism, No. of pos.: 8+1, Direction of rotation: Standard, contact connection type: Socket, Solder cup, Radial O-ring, Panel thickness min.: 2.7 mm, Panel thickness max.: 3.5 mm, coding: N. This product is in the process of being discontinued. This product must no longer be considered for new projects. Please contact your sales representative for alternatives.

The figure shows the 12-pos. product version

## Commercial data

|                                      |                                |
|--------------------------------------|--------------------------------|
| Item number                          | 1595846                        |
| Packing unit                         | 40 pc                          |
| Minimum order quantity               | 1 pc                           |
| Note                                 | Made to order (non-returnable) |
| Product key                          | ABRAFR                         |
| GTIN                                 | 4046356378321                  |
| Weight per piece (including packing) | 32.93 g                        |
| Weight per piece (excluding packing) | 30.677 g                       |
| Country of origin                    | DE                             |

1595846

<https://www.phoenixcontact.com/us/products/1595846>

## Technical data

### Product properties

|              |                                   |
|--------------|-----------------------------------|
| Product type | Circular connectors (device side) |
|--------------|-----------------------------------|

### Material specifications

|  |    |
|--|----|
| Flammability rating according to UL 94 | V0 |
|--|----|

### Connector

#### Insulating body

|   |  |
|---|--|
| Coding  | N  |
| Material (Insulating body)                      | PBT                                      |
| Material (Contact)                              | CuZn                                     |
| Material (Contact surface)                      | Ni/Au                                    |
| Insertion/withdrawal cycles                     | 50                                       |
| Connection method                               | Solder cup                               |
| Contact switching type                          | Socket                                   |
| Application                                     | Signal                                   |
| Number of positions                             | 9  |
| Direction of rotation                           | Standard                                 |
| Connection profile                              | 8+1                                      |
| Number (Contact group 1)                        | 1  |
| Contact diameter (Contact group 1)              | 2 mm                                     |
| Litz wires Min. cross section (Contact group 1) | 0.08 mm <sup>2</sup>                     |
| Litz wires Max. cross section (Contact group 1) | 2.5 mm <sup>2</sup>                      |
| Rated current Contact (Contact group 1)         | 20 A (for max. connection cross section) |
| Rated voltage Contact (Contact group 1)         | 48 V AC<br>74 V DC                       |
| Rated surge voltage                             | 1.5 kV                                   |
| Overvoltage category                            | III                                      |
| Degree of pollution                             | 3  |
| Number (Contact group 2)                        | 8  |
| Contact diameter (Contact group 2)              | 1 mm                                     |
| Litz wires Max. cross section (Contact group 2) | 1 mm <sup>2</sup>                        |
| Rated current Contact (Contact group 2)         | 8 A (for max. connection cross section)  |
| Rated voltage Contact (Contact group 2)         | 48 V AC<br>48 V AC                       |

#### Housing

|                 |                         |
|-----------------|-------------------------|
| Type            | Flange housing          |
| Thread type     | M23                     |
| Design          | straight                |
| Type of locking | Screw locking mechanism |

# RC-09S1N124200 - Device connector rear mounting



1595846

<https://www.phoenixcontact.com/us/products/1595846>

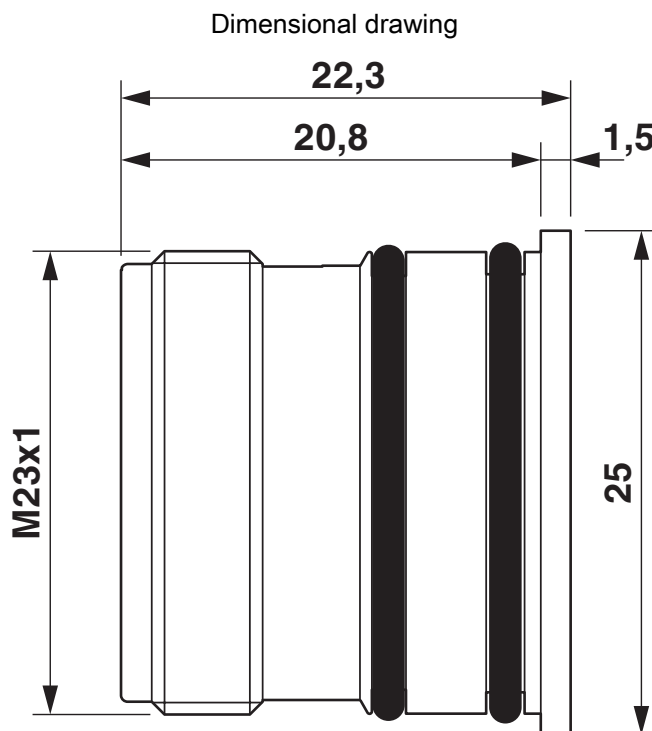
|                                   |                                       |
|-----------------------------------|---------------------------------------|
| Pg screw connection               | none                                  |
| Mounting type                     | Rear mounting/square flange (4x M2,5) |
| Material (Housing)                | GD-Zn                                 |
| Material (Housing surface)        | Ni                                    |
| Material (Rotating parts)         | CuZn                                  |
| Degree of protection (plugged in) | IP67                                  |
| Seal for the device               | Radial O-ring                         |

## Environmental and real-life conditions

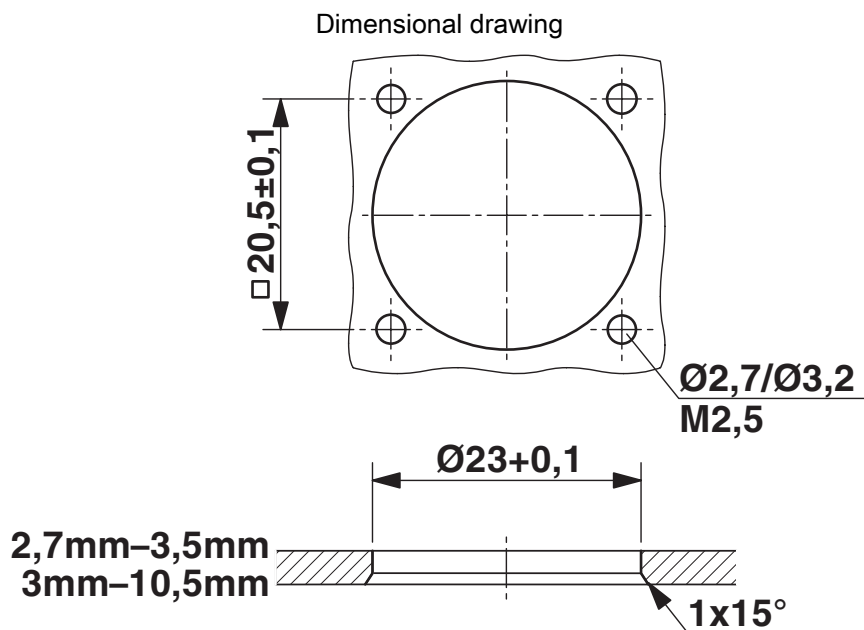
### Ambient conditions

|                      |      |
|----------------------|------|
| Degree of protection | IP67 |
|----------------------|------|

Drawings



Dimensional drawing



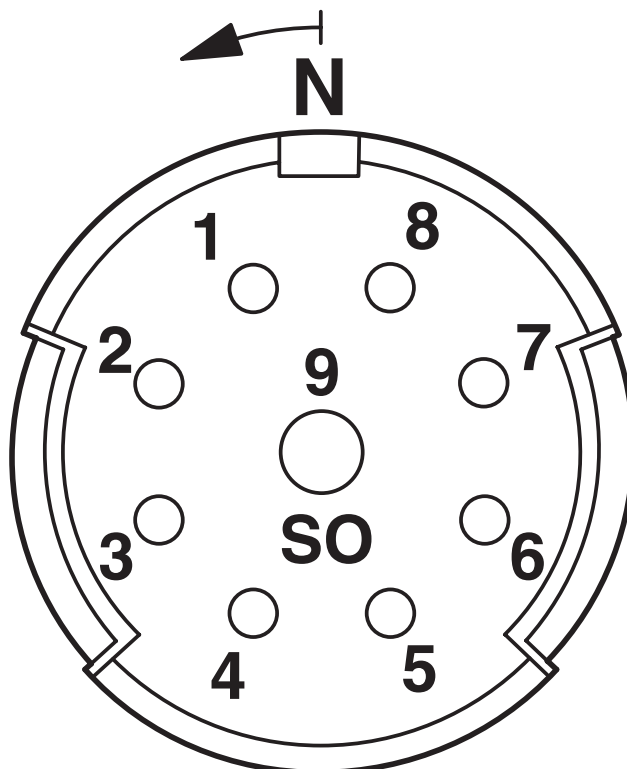
Installation dimensions

Schematic diagram



Connector pin assignment

Schematic diagram



Connector pin assignment

Schematic diagram



Dimensional drawing

1595846

<https://www.phoenixcontact.com/us/products/1595846>

## Classifications

### ECLASS

|             |          |
|-------------|----------|
| ECLASS-13.0 | 27440109 |
| ECLASS-15.0 | 27440109 |

### ETIM

|           |          |
|-----------|----------|
| ETIM 10.0 | EC003569 |
|-----------|----------|

### UNSPSC

|             |          |
|-------------|----------|
| UNSPSC 21.0 | 39121400 |
|-------------|----------|

1595846

<https://www.phoenixcontact.com/us/products/1595846>

## Environmental product compliance

### EU RoHS

|   |      |
|---|------|
| Fulfills EU RoHS substance requirements | Yes  |
| Exemption                               | 6(c) |

### China RoHS

|  |   |
|--|---|
| Environment friendly use period (EFUP) | EFUP-50   |
|  | An article-related China RoHS declaration table can be found in the download area for the respective article under "Manufacturer declaration". For all articles with EFUP-E, no China RoHS declaration table issued and required. |

### EU REACH SVHC

|                                     |                                      |
|-------------------------------------|--------------------------------------|
| REACH candidate substance (CAS No.) | Lead(CAS: 7439-92-1)                 |
| SCIP                                | 06bdc413-8df3-4302-8fd9-e4f0e929c511 |

Phoenix Contact 2026 © - all rights reserved

<https://www.phoenixcontact.com>

Phoenix Contact USA  
586 Fulling Mill Road  
Middletown, PA 17057, United States  
(+717) 944-1300  
[info@phoenixcon.com](mailto:info@phoenixcon.com)