

RC-09P1N8A2200 - Device connector front mounting



1595389

<https://www.phoenixcontact.com/us/products/1595389>

Please be informed that the data shown in this PDF document is generated from our online catalog. Please find the complete data in the user documentation. Our general terms of use for downloads are valid.



M23, Device connector front mounting, application: Signal, series: RC, straight, shielded: yes, Screw locking mechanism, No. of pos.: 8+1, Direction of rotation: Standard, contact connection type: Pin, Crimp connection, Flat gasket, flange dimensions: 25 mm x 25 mm, Panel thickness min.: 1 mm, coding: N

Commercial data

Item number	1595389
Packing unit	20 pc
Minimum order quantity	1 pc
Note	Made to order (non-returnable)
Product key	ABRAFL
GTIN	4046356206396
Weight per piece (including packing)	30.325 g
Weight per piece (excluding packing)	30.325 g
Country of origin	DE

RC-09P1N8A2200 - Device connector front mounting



1595389

<https://www.phoenixcontact.com/us/products/1595389>

Technical data

Notes

Order information:	Order crimp contacts 8 x Ø 1 mm, 1 x Ø 2 mm separately
--------------------	--

Product properties

Product type	Circular connectors (device side)
--------------	-----------------------------------

Material specifications

Housing material	Metal
------------------	-------

Connector

Insulating body

Note	Order information: Order crimp contacts 8 x Ø 1 mm, 1 x Ø 2 mm separately
Coding	N
Material (Insulating body)	PA 6.6
Connection method	Crimp connection
Contact switching type	Pin
Application	Signal
Number of positions	9
Direction of rotation	Standard
Connection profile	8+1
Number (Contact group 1)	1
Contact diameter (Contact group 1)	2 mm
Rated current Contact (Contact group 1)	20 A (for max. connection cross section)
Rated voltage Contact (Contact group 1)	48 V AC 74 V DC
Rated surge voltage	1.5 kV
Overvoltage category	III
Degree of pollution	3
Number (Contact group 2)	8
Contact diameter (Contact group 2)	1 mm
Rated current Contact (Contact group 2)	8 A
Rated voltage Contact (Contact group 2)	48 V AC 48 V AC

Housing

Type	Flange housing
Thread type	M23
Design	straight
Type of locking	Screw locking mechanism
Pg screw connection	none
Mounting type	Front mounting/square flange (4x Ø 2.7 mm)

RC-09P1N8A2200 - Device connector front mounting



1595389

<https://www.phoenixcontact.com/us/products/1595389>

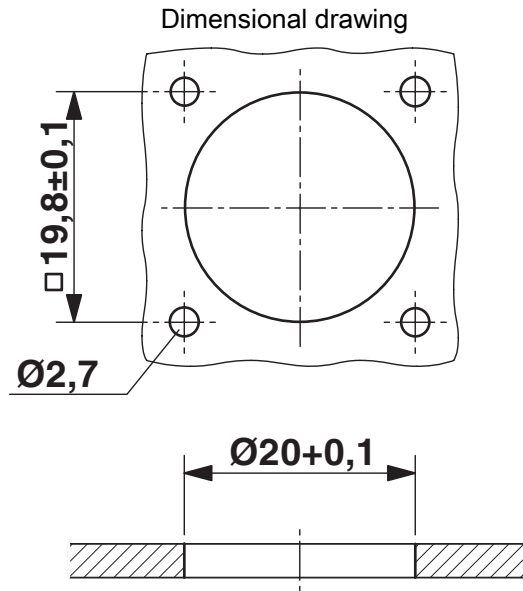
Flange dimensions	25 mm x 25 mm
Material (Housing)	GD-Zn
Material (Housing surface)	Ni
Material (Rotating parts)	CuZn
Degree of protection (plugged in)	IP67
Seal for the device	Flat gasket

RC-09P1N8A2200 - Device connector front mounting

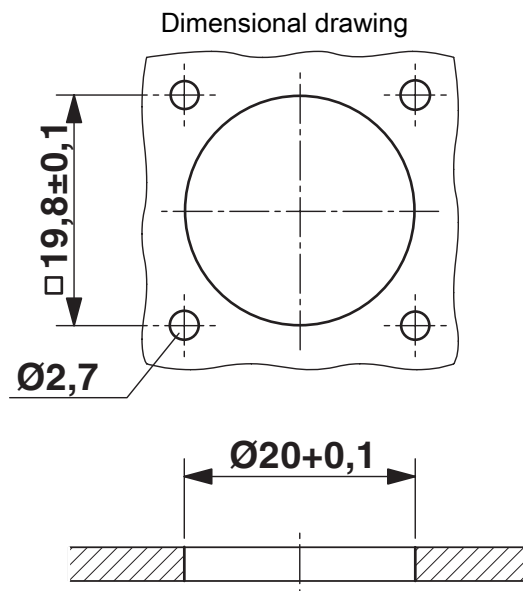
1595389

<https://www.phoenixcontact.com/us/products/1595389>

Drawings



Installation dimensions



Installation dimensions

RC-09P1N8A2200 - Device connector front mounting



1595389

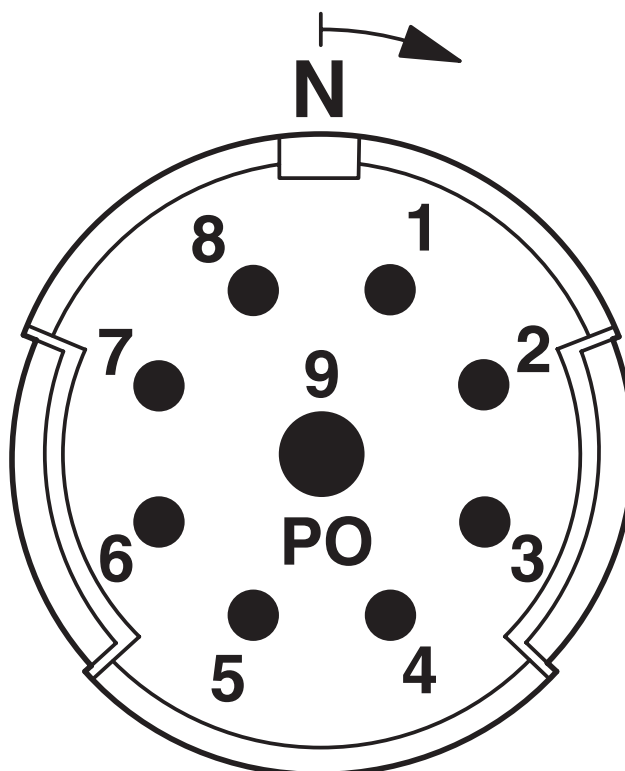
<https://www.phoenixcontact.com/us/products/1595389>

Schematic diagram



Connector pin assignment

Schematic diagram



Connector pin assignment

RC-09P1N8A2200 - Device connector front mounting



1595389

<https://www.phoenixcontact.com/us/products/1595389>

Classifications

UNSPSC

UNSPSC 21.0	39121413
-------------	----------

1595389

<https://www.phoenixcontact.com/us/products/1595389>

Environmental product compliance

EU RoHS

Fulfills EU RoHS substance requirements	Yes
Exemption	6(c)

China RoHS

Environment friendly use period (EFUP)	EFUP-50
	An article-related China RoHS declaration table can be found in the download area for the respective article under "Manufacturer declaration". For all articles with EFUP-E, no China RoHS declaration table issued and required.

EU REACH SVHC

REACH candidate substance (CAS No.)	No substance above 0.1 wt%
-------------------------------------	----------------------------

Phoenix Contact 2026 © - all rights reserved
<https://www.phoenixcontact.com>

Phoenix Contact USA
586 Fulling Mill Road
Middletown, PA 17057, United States
(+717) 944-1300
info@phoenixcon.com