

# RC-07S1NC24100 - Device connector rear mounting



1594796

<https://www.phoenixcontact.com/us/products/1594796>

Please be informed that the data shown in this PDF document is generated from our online catalog. Please find the complete data in the user documentation. Our general terms of use for downloads are valid.



The figure shows the 12-pos.  
product version

Device connector rear mounting, M23, This product is in the process of being discontinued. This product must no longer be considered for new projects. Please contact your sales representative for alternatives.

## Commercial data

Item number	1594796
Packing unit	20 pc
Minimum order quantity	1 pc
Note	Made to order (non-returnable)
Product key	ABRAFR
GTIN	4046356203487
Weight per piece (including packing)	36.855 g
Weight per piece (excluding packing)	32.801 g
Country of origin	DE

# RC-07S1NC24100 - Device connector rear mounting



1594796

<https://www.phoenixcontact.com/us/products/1594796>

## Technical data

### Product properties

Product type	Circular connectors (device side)
Thread type	M23

### Material specifications

Flammability rating according to UL 94	V0
--	----

### Connector

#### Insulating body

Coding	N
Connection method	Solder-in connection
Contact switching type	Socket
Application	Signal
Number of positions	7
Direction of rotation	Standard
Connection profile	7
Rated surge voltage	1.5 kV
Overvoltage category	III

#### Housing

Type	Flange housing
Thread type	M23
Design	straight
Type of locking	Screw locking mechanism
Pg screw connection	none
Mounting type	Rear mounting/square flange (4x M3)
Material (Housing)	Metal
Degree of protection (plugged in)	IP67
Seal for the device	Flat gasket

### Environmental and real-life conditions

#### Ambient conditions

Degree of protection	IP67
----------------------	------

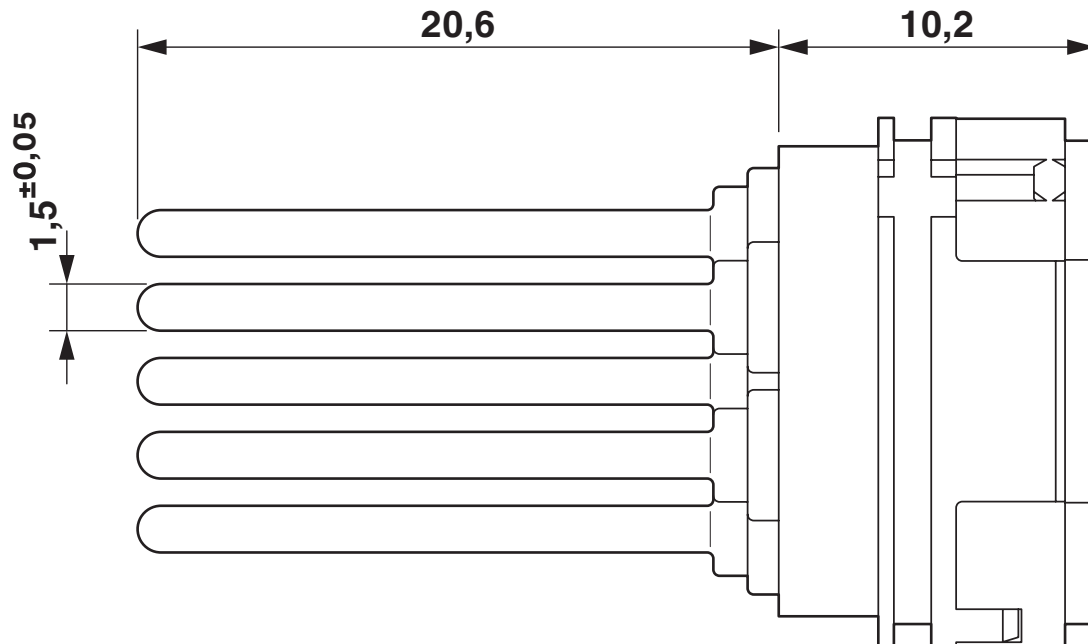
# RC-07S1NC24100 - Device connector rear mounting

1594796

<https://www.phoenixcontact.com/us/products/1594796>

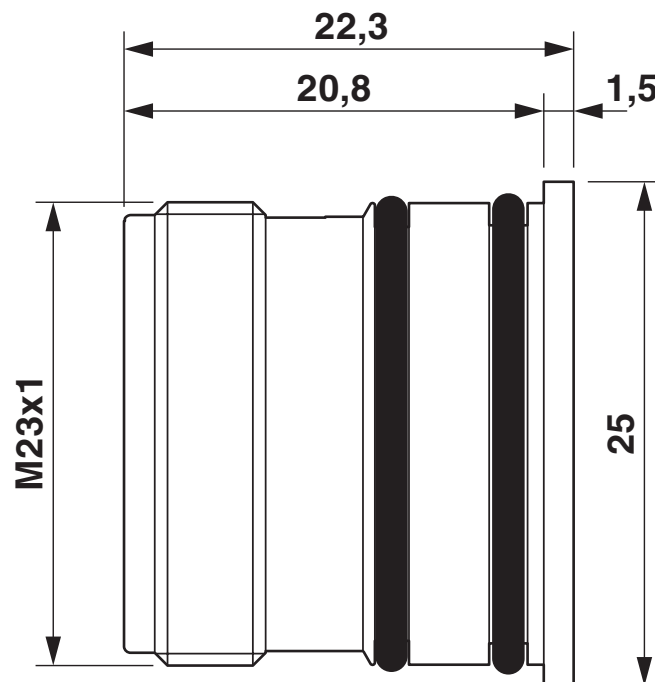
## Drawings

Dimensional drawing



Dimensional drawing

Dimensional drawing

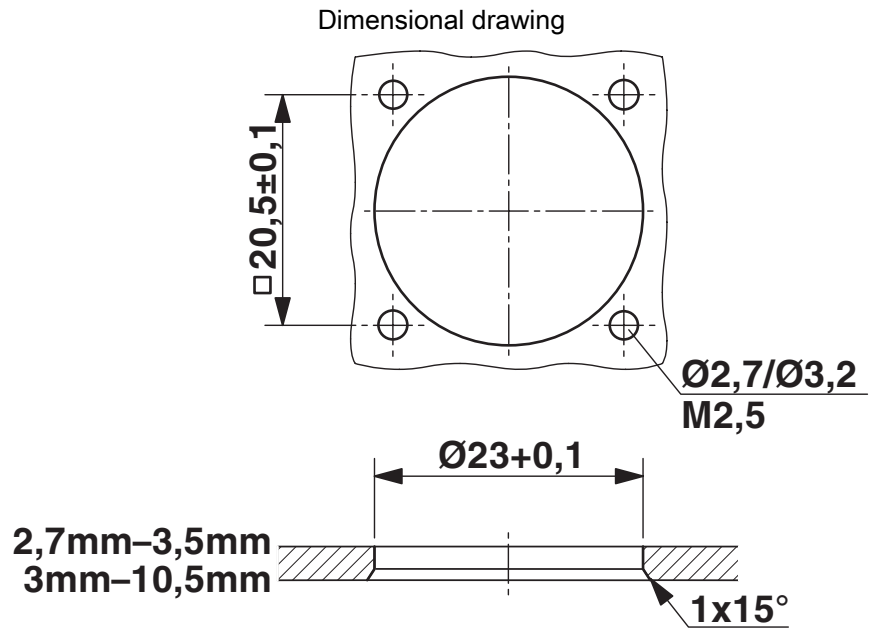


Dimensional drawing

# RC-07S1NC24100 - Device connector rear mounting

1594796

<https://www.phoenixcontact.com/us/products/1594796>



Installation dimensions

# RC-07S1NC24100 - Device connector rear mounting

1594796

<https://www.phoenixcontact.com/us/products/1594796>

Schematic diagram



Connector pin assignment

# RC-07S1NC24100 - Device connector rear mounting



1594796

<https://www.phoenixcontact.com/us/products/1594796>

## Classifications

### ECLASS

ECLASS-13.0	27440109
ECLASS-15.0	27440109

### ETIM

ETIM 10.0	EC003569
-----------	----------

### UNSPSC

UNSPSC 21.0	39121400
-------------	----------

1594796

<https://www.phoenixcontact.com/us/products/1594796>

## Environmental product compliance

### EU RoHS

Fulfills EU RoHS substance requirements	Yes
Exemption	6(c)

### China RoHS

Environment friendly use period (EFUP)	EFUP-50
	An article-related China RoHS declaration table can be found in the download area for the respective article under "Manufacturer declaration". For all articles with EFUP-E, no China RoHS declaration table issued and required.

### EU REACH SVHC

REACH candidate substance (CAS No.)	Lead(CAS: 7439-92-1)
SCIP	fab43078-9a5d-4fc0-baae-f2322fd786a8

Phoenix Contact 2026 © - all rights reserved

<https://www.phoenixcontact.com>

Phoenix Contact USA  
586 Fulling Mill Road  
Middletown, PA 17057, United States  
(+717) 944-1300  
[info@phoenixcon.com](mailto:info@phoenixcon.com)