

RC-07S1N8AH000 - Device connector rear mounting



1594771

<https://www.phoenixcontact.com/us/products/1594771>

Please be informed that the data shown in this PDF document is generated from our online catalog. Please find the complete data in the user documentation. Our general terms of use for downloads are valid.



The figure shows the 12-pos.
product version

M23, Device connector rear mounting, application: Signal, series: RC, straight, shielded: yes, Screw locking mechanism, No. of pos.: 7, Direction of rotation: Standard, contact connection type: Socket, Crimp connection, Axial O-ring, Panel thickness min.: 0.8 mm, Panel thickness max.: 6.5 mm, coding: N

Commercial data

| | |
|--------------------------------------|--------------------------------|
| Item number | 1594771 |
| Packing unit | 20 pc |
| Minimum order quantity | 1 pc |
| Note | Made to order (non-returnable) |
| Product key | ABRAFL |
| GTIN | 4046356203296 |
| Weight per piece (including packing) | 58.3 g |
| Weight per piece (excluding packing) | 58.3 g |
| Country of origin | DE |

RC-07S1N8AH000 - Device connector rear mounting



1594771

<https://www.phoenixcontact.com/us/products/1594771>

Technical data

Notes

| | |
|--------------------|--|
| Order information: | Order crimp contacts Ø 2 mm separately |
|--------------------|--|

Product properties

| | |
|--------------|-----------------------------------|
| Product type | Circular connectors (device side) |
|--------------|-----------------------------------|

Connector

Insulating body

| | |
|---|---|
| Note | Order information: Order crimp contacts Ø 2 mm separately |
| Coding | N |
| Material (Insulating body) | PA 6.6 |
| Connection method | Crimp connection |
| Contact switching type | Socket |
| Application | Signal |
| Number of positions | 7 |
| Direction of rotation | Standard |
| Connection profile | 7 |
| Number (Contact group 1) | 7 |
| Contact diameter (Contact group 1) | 2 mm |
| Rated current Contact (Contact group 1) | 20 A (for max. connection cross section) |
| Rated voltage Contact (Contact group 1) | 48 V AC 74 V DC |
| Rated surge voltage | 1.5 kV |
| Overvoltage category | III |
| Degree of pollution | 3 |

Housing

| | |
|-----------------------------------|---------------------------|
| Type | Feed-through header |
| Thread type | M23 |
| Design | straight |
| Type of locking | Screw locking mechanism |
| Pg screw connection | none |
| Mounting type | Rear mounting (M25 x 1,5) |
| Assembly note | Central fastening |
| Material (Housing) | GD-Zn |
| Material (Housing surface) | Ni |
| Material (Rotating parts) | CuZn |
| Degree of protection (plugged in) | IP67 |
| Seal for the device | Axial O-ring |

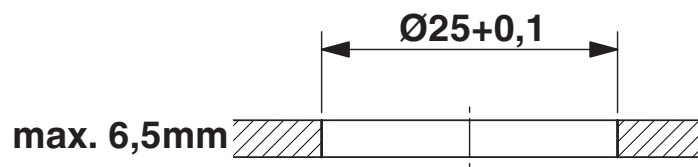
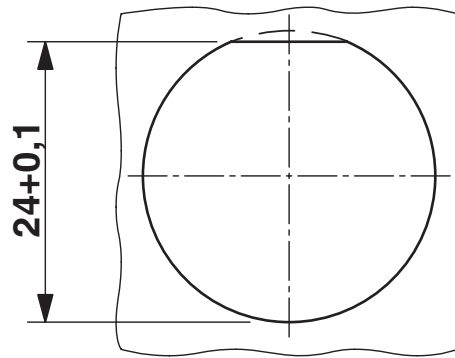
RC-07S1N8AH000 - Device connector rear mounting

1594771

<https://www.phoenixcontact.com/us/products/1594771>

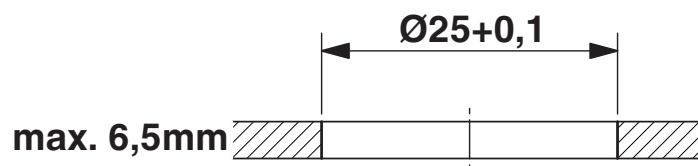
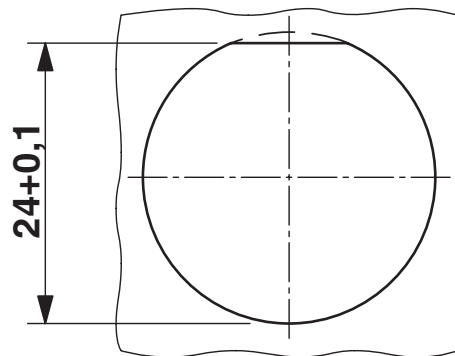
Drawings

Dimensional drawing



Installation dimensions

Dimensional drawing



Installation dimensions

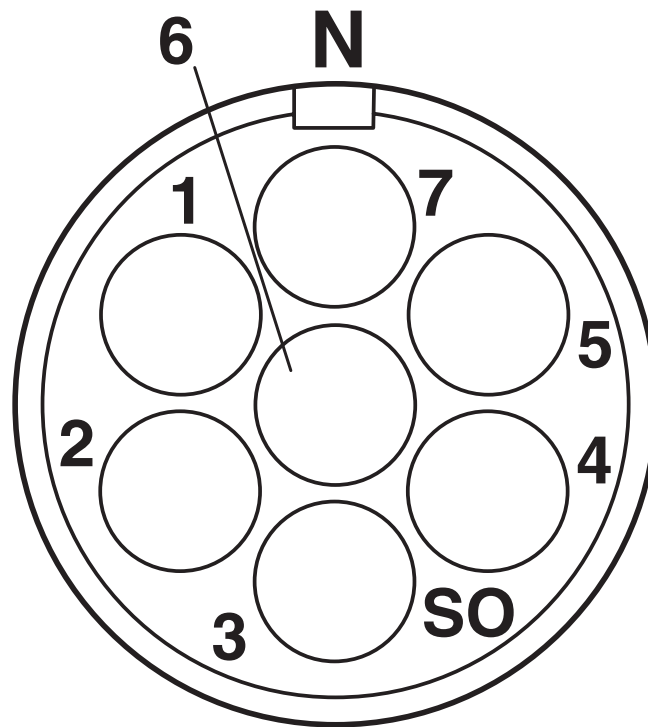
RC-07S1N8AH000 - Device connector rear mounting



1594771

<https://www.phoenixcontact.com/us/products/1594771>

Schematic diagram



Connector pin assignment

Phoenix Contact 2026 © - all rights reserved
<https://www.phoenixcontact.com>

Phoenix Contact USA
586 Fulling Mill Road
Middletown, PA 17057, United States
(+717) 944-1300
info@phoenixcon.com