

# RC-07S1N322000 - Device connector front mounting



1594729

<https://www.phoenixcontact.com/us/products/1594729>

Please be informed that the data shown in this PDF document is generated from our online catalog. Please find the complete data in the user documentation. Our general terms of use for downloads are valid.



The figure shows the 12-pos.  
product version

M23, Device connector front mounting, application: Signal, series: RC, straight, shielded: yes, Screw locking mechanism, No. of pos.: 7, Direction of rotation: Standard, contact connection type: Socket, Solder-in connection, Flat gasket, coding: N

## Commercial data

Item number	1594729
Packing unit	40 pc
Minimum order quantity	40 pc
Note	Made to order (non-returnable)
Product key	ABRAFL
GTIN	4046356203036
Weight per piece (including packing)	30.65 g
Weight per piece (excluding packing)	30.65 g
Country of origin	DE

# RC-07S1N322000 - Device connector front mounting



1594729

<https://www.phoenixcontact.com/us/products/1594729>

## Technical data

### Product properties

Product type	Circular connectors (device side)
--------------	-----------------------------------

### Connector

#### Insulating body

Coding	N
Insertion/withdrawal cycles	50
Connection method	Solder-in connection
Contact switching type	Socket
Application	Signal
Number of positions	7
Direction of rotation	Standard
Connection profile	7
Number (Contact group 1)	7
Contact diameter (Contact group 1)	2 mm
Rated current Contact (Contact group 1)	20 A (for max. connection cross section)
Rated voltage Contact (Contact group 1)	300 V
Rated surge voltage	2.5 kV
Overvoltage category	II
Degree of pollution	3

#### Housing

Type	Flange housing
Thread type	M23
Design	straight
Type of locking	Screw locking mechanism
Pg screw connection	none
Mounting type	Front mounting/square flange (4x Ø 2.7 mm)
Material (Housing)	Metal
Degree of protection (plugged in)	IP67
Seal for the device	Flat gasket

# RC-07S1N322000 - Device connector front mounting

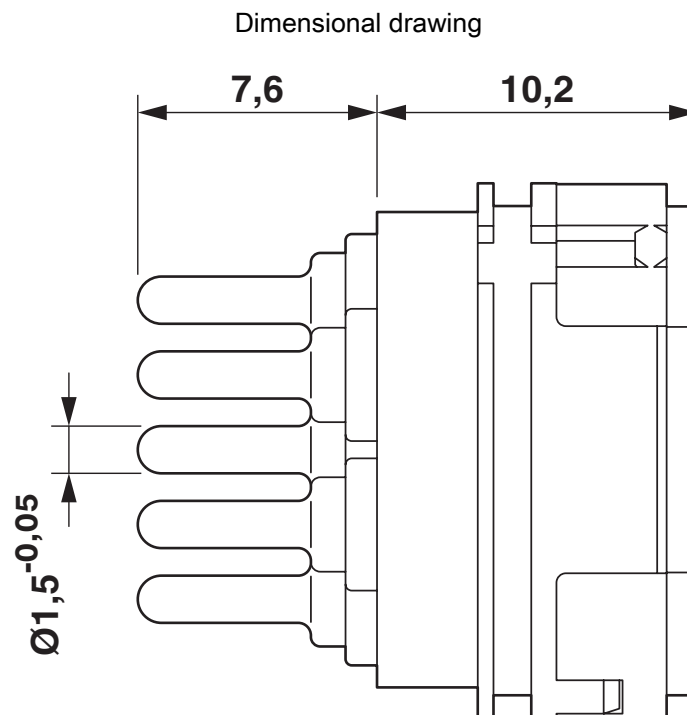
1594729

<https://www.phoenixcontact.com/us/products/1594729>

## Drawings



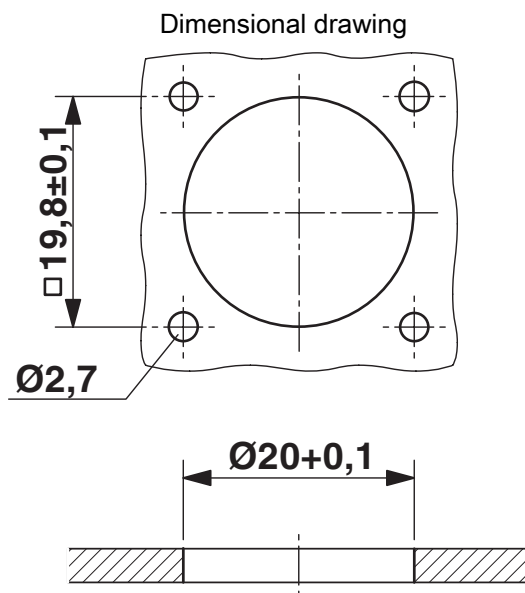
## Installation dimensions



# RC-07S1N322000 - Device connector front mounting

1594729

<https://www.phoenixcontact.com/us/products/1594729>



Installation dimensions

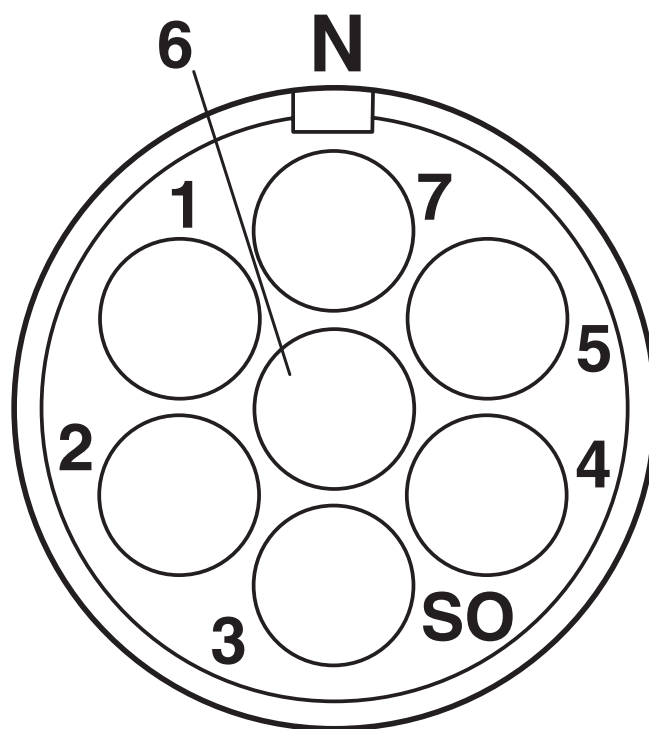
# RC-07S1N322000 - Device connector front mounting

1594729

<https://www.phoenixcontact.com/us/products/1594729>



Schematic diagram



Connector pin assignment

# RC-07S1N322000 - Device connector front mounting



1594729

<https://www.phoenixcontact.com/us/products/1594729>

## Environmental product compliance

### China RoHS

Environment friendly use period (EFUP)	EFUP-50
	An article-related China RoHS declaration table can be found in the download area for the respective article under "Manufacturer declaration". For all articles with EFUP-E, no China RoHS declaration table issued and required.

### EU REACH SVHC

REACH candidate substance (CAS No.)	No substance above 0.1 wt%
-------------------------------------	----------------------------

Phoenix Contact 2026 © - all rights reserved  
<https://www.phoenixcontact.com>

Phoenix Contact USA  
586 Fulling Mill Road  
Middletown, PA 17057, United States  
(+717) 944-1300  
[info@phoenixcon.com](mailto:info@phoenixcon.com)