

RC-07P1N8AE000 - Device connector front mounting



1594472

<https://www.phoenixcontact.com/us/products/1594472>

Please be informed that the data shown in this PDF document is generated from our online catalog. Please find the complete data in the user documentation. Our general terms of use for downloads are valid.



The figure shows the 17-pos.
product version

M23, Device connector front mounting, application: Signal, series: RC, straight, shielded: yes, Screw locking mechanism, No. of pos.: 7, Direction of rotation: Standard, contact connection type: Pin, Crimp connection, Radial O-ring, Panel thickness min.: 3 mm, Panel thickness max. : 10.5 mm, coding: N. This product is in the process of being discontinued. This product must no longer be considered for new projects. Please contact your sales representative for alternatives.

Commercial data

| | |
|--------------------------------------|--------------------------------|
| Item number | 1594472 |
| Packing unit | 40 pc |
| Minimum order quantity | 1 pc |
| Note | Made to order (non-returnable) |
| Sales key | AB31 |
| Product key | ABRAFL |
| GTIN | 4046356201582 |
| Weight per piece (including packing) | 38.935 g |
| Weight per piece (excluding packing) | 37.03 g |
| Customs tariff number | 85366990 |
| Country of origin | DE |

1594472

<https://www.phoenixcontact.com/us/products/1594472>

Technical data

Notes

| | |
|--------------------|--|
| Order information: | Order crimp contacts Ø 2 mm separately |
|--------------------|--|

Product properties

| | |
|--------------|-----------------------------------|
| Product type | Circular connectors (device side) |
|--------------|-----------------------------------|

Material specifications

| | |
|--|----|
| Flammability rating according to UL 94 | V0 |
|--|----|

Connector

Insulating body

| | |
|---|---|
| Note | Order information: Order crimp contacts Ø 2 mm separately |
| Coding | N |
| Material (Insulating body) | PA 6.6 |
| Flammability rating according to UL 94 | V0 |
| Connection method | Crimp connection |
| Contact switching type | Pin |
| Application | Signal |
| Number of positions | 7 |
| Direction of rotation | Standard |
| Connection profile | 7 |
| Number (Contact group 1) | 7 |
| Contact diameter (Contact group 1) | 2 mm |
| Rated current Contact (Contact group 1) | 20 A (for max. connection cross section) |
| Rated voltage Contact (Contact group 1) | 48 V AC 74 V DC |
| Rated surge voltage | 1.5 kV |
| Overvoltage category | III |
| Degree of pollution | 3 |

Housing

| | |
|-----------------------------------|-------------------------------------|
| Type | Flange housing |
| Thread type | M23 |
| Design | straight |
| Type of locking | Screw locking mechanism |
| Pg screw connection | none |
| Mounting type | Rear mounting/square flange (4x M3) |
| Material (Housing) | GD-Zn |
| Material (Housing surface) | Ni |
| Material (Rotating parts) | CuZn |
| Degree of protection (plugged in) | IP67 |

RC-07P1N8AE000 - Device connector front mounting



1594472

<https://www.phoenixcontact.com/us/products/1594472>

| | |
|---------------------|---------------|
| Seal for the device | Radial O-ring |
|---------------------|---------------|

Environmental and real-life conditions

Ambient conditions

| | |
|--|---------------|
| Degree of protection | IP67 |
| Permissible humidity (storage/transport) | 50 % ... 65 % |

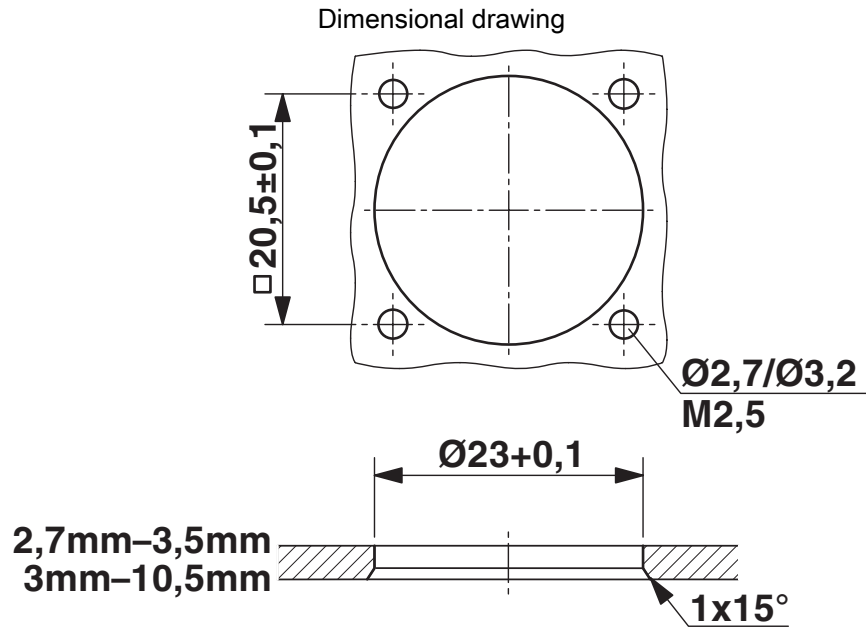
RC-07P1N8AE000 - Device connector front mounting



1594472

<https://www.phoenixcontact.com/us/products/1594472>

Drawings



Installation dimensions

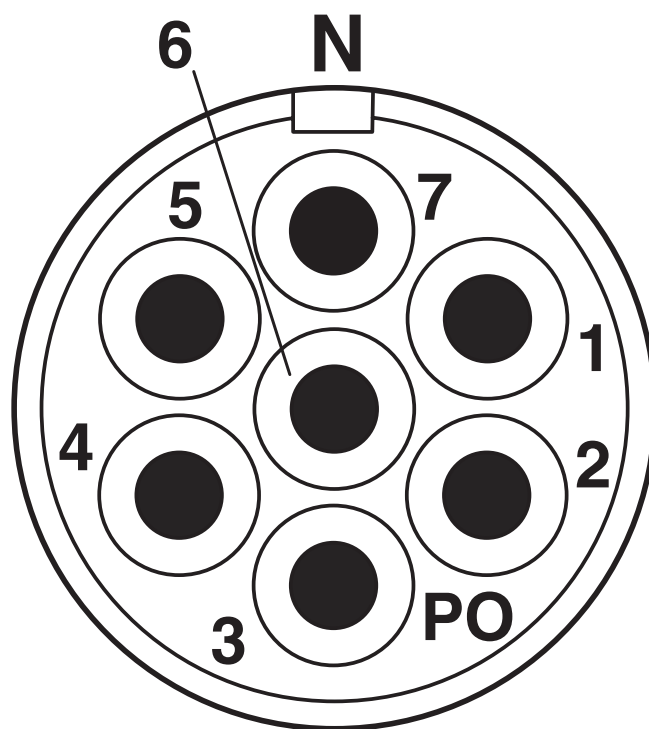
RC-07P1N8AE000 - Device connector front mounting

1594472

<https://www.phoenixcontact.com/us/products/1594472>



Schematic diagram



Connector pin assignment

1594472

<https://www.phoenixcontact.com/us/products/1594472>

Classifications

ECLASS

| | |
|-------------|----------|
| ECLASS-13.0 | 27440109 |
| ECLASS-15.0 | 27440109 |

ETIM

| | |
|-----------|----------|
| ETIM 10.0 | EC003569 |
|-----------|----------|

UNSPSC

| | |
|-------------|----------|
| UNSPSC 21.0 | 39121400 |
|-------------|----------|

1594472

<https://www.phoenixcontact.com/us/products/1594472>

Environmental product compliance

EU RoHS

| | |
|---|------|
| Fulfills EU RoHS substance requirements | Yes |
| Exemption | 6(c) |

China RoHS

| | |
|--|---|
| Environment friendly use period (EFUP) | EFUP-50 |
| | An article-related China RoHS declaration table can be found in the download area for the respective article under "Manufacturer declaration". For all articles with EFUP-E, no China RoHS declaration table issued and required. |

EU REACH SVHC

| | |
|-------------------------------------|--------------------------------------|
| REACH candidate substance (CAS No.) | Lead(CAS: 7439-92-1) |
| SCIP | 9a405ea3-ea1a-425b-b800-98ae2f5c1b3c |

Phoenix Contact 2026 © - all rights reserved

<https://www.phoenixcontact.com>

Phoenix Contact USA
586 Fulling Mill Road
Middletown, PA 17057, United States
(+717) 944-1300
info@phoenixcon.com