

# RC-07P1N8A6000 - Device connector front mounting



1594446

<https://www.phoenixcontact.com/us/products/1594446>

Please be informed that the data shown in this PDF document is generated from our online catalog. Please find the complete data in the user documentation. Our general terms of use for downloads are valid.



The figure shows the 12-pos.  
product version

M23, Device connector front mounting, application: Signal, series: RC, straight, shielded: yes, Screw locking mechanism, No. of pos.: 7, Direction of rotation: Standard, contact connection type: Pin, Crimp connection, Axial seal, Panel thickness min.: 0.8 mm, Panel thickness max.: 6.5 mm, coding: N, Alternative product in accordance with RoHS II without Exemption 6c (Pb < 0.1 %) item no.: 1240495

## Commercial data

Item number	1594446
Packing unit	40 pc
Minimum order quantity	1 pc
Note	Made to order (non-returnable)
Product key	ABRAFL
GTIN	4046356201407
Weight per piece (including packing)	33.01 g
Weight per piece (excluding packing)	30.61 g
Country of origin	DE

# RC-07P1N8A6000 - Device connector front mounting



1594446

<https://www.phoenixcontact.com/us/products/1594446>

## Technical data

### Notes

Order information:	Order crimp contacts Ø 2 mm separately
--------------------	--

### Product properties

Product type	Circular connectors (device side)
--------------	-----------------------------------

### Connector

#### Insulating body

Note	Order information: Order crimp contacts Ø 2 mm separately
Coding	N
Material (Insulating body)	PA 6.6
Flammability rating according to UL 94	V0
Connection method	Crimp connection
Contact switching type	Pin
Application	Signal
Number of positions	7
Direction of rotation	Standard
Connection profile	7
Number (Contact group 1)	7
Contact diameter (Contact group 1)	2 mm
Rated current Contact (Contact group 1)	20 A (for max. connection cross section)
Rated voltage Contact (Contact group 1)	48 V AC 74 V DC
Rated surge voltage	1.5 kV
Overvoltage category	III
Degree of pollution	3

#### Housing

Order information:	Order contact inserts separately
Type	Feed-through header
Thread type	M23
Design	straight
Type of locking	Screw locking mechanism
Pg screw connection	none
Mounting type	Front mounting (M20 x 1,5)
Assembly note	Central fastening
Degree of protection (plugged in)	IP67
Seal for the device	Axial seal

## Environmental and real-life conditions

### Ambient conditions

# RC-07P1N8A6000 - Device connector front mounting



1594446

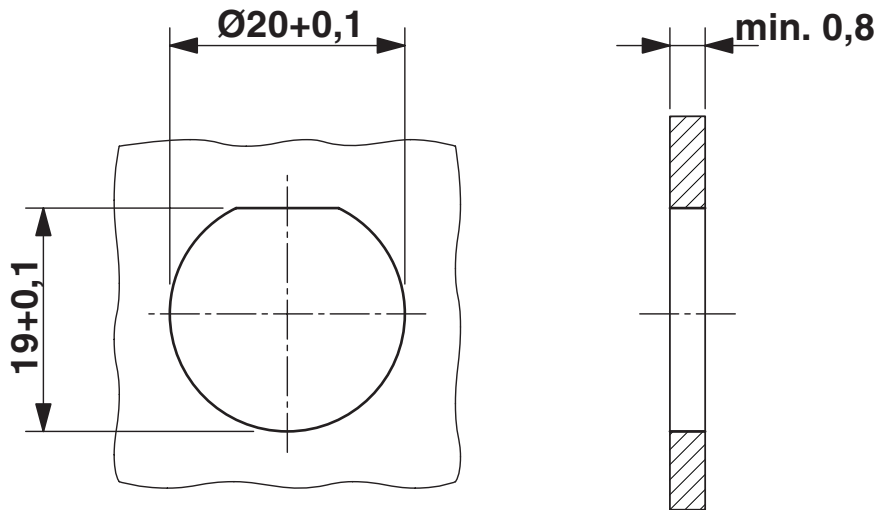
<https://www.phoenixcontact.com/us/products/1594446>

Permissible humidity (storage/transport)
--

50 % ... 65 %
---------------

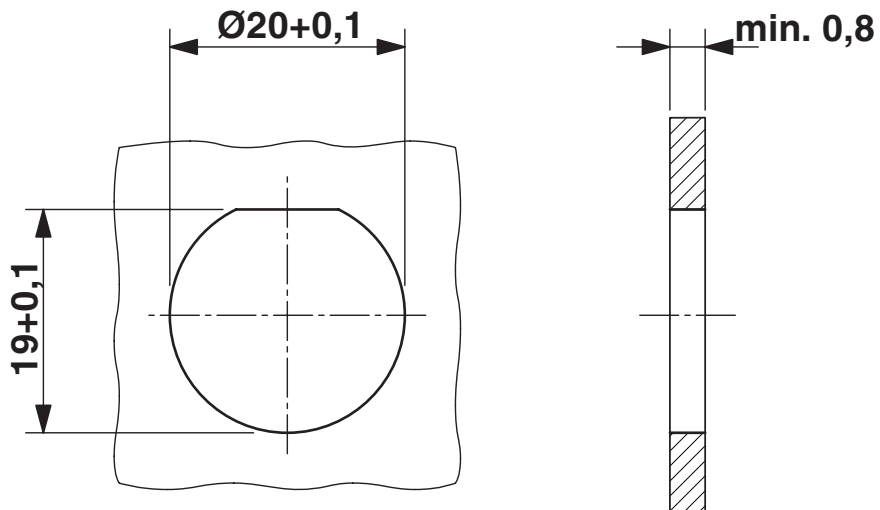
Drawings

Dimensional drawing



Installation dimensions

Dimensional drawing



Installation dimensions

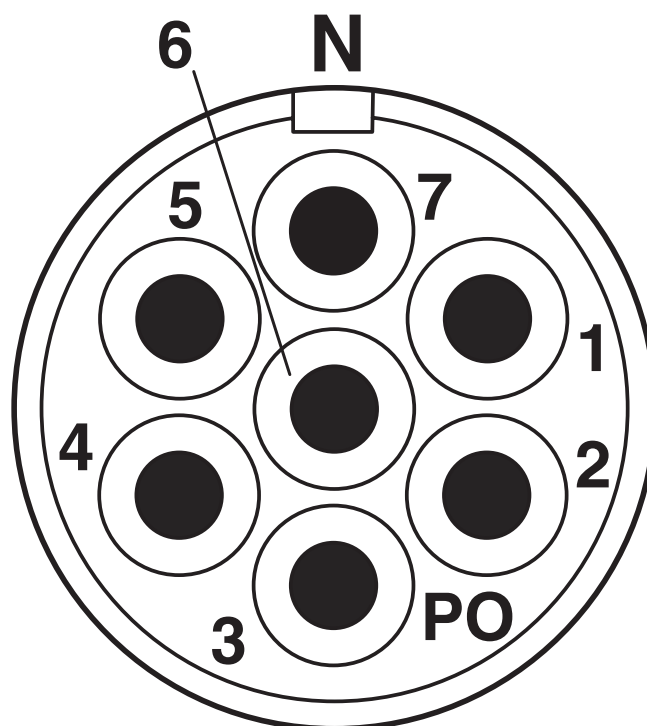
# RC-07P1N8A6000 - Device connector front mounting

1594446

<https://www.phoenixcontact.com/us/products/1594446>



Schematic diagram



Connector pin assignment

# RC-07P1N8A6000 - Device connector front mounting



1594446

<https://www.phoenixcontact.com/us/products/1594446>

## Classifications

### ECLASS

ECLASS-13.0

27440116

### UNSPSC

UNSPSC 21.0

39121400

1594446

<https://www.phoenixcontact.com/us/products/1594446>

## Environmental product compliance

### EU RoHS

Fulfills EU RoHS substance requirements	Yes
Exemption	6(c)

### China RoHS

Environment friendly use period (EFUP)	EFUP-50
	An article-related China RoHS declaration table can be found in the download area for the respective article under "Manufacturer declaration". For all articles with EFUP-E, no China RoHS declaration table issued and required.

### EU REACH SVHC

REACH candidate substance (CAS No.)	Lead(CAS: 7439-92-1)
SCIP	f3f92820-9d96-403b-8798-8ebc2ae32ff1

Phoenix Contact 2026 © - all rights reserved

<https://www.phoenixcontact.com>

Phoenix Contact USA  
586 Fulling Mill Road  
Middletown, PA 17057, United States  
(+717) 944-1300  
[info@phoenixcon.com](mailto:info@phoenixcon.com)