

RC-07P1N124100 - Device connector rear mounting



1594290

<https://www.phoenixcontact.com/us/products/1594290>

Please be informed that the data shown in this PDF document is generated from our online catalog. Please find the complete data in the user documentation. Our general terms of use for downloads are valid.



M23, Device connector rear mounting, application: Signal, series: RC, straight, Screw locking mechanism, No. of pos.: 7, Direction of rotation: Standard, contact connection type: Pin, Solder cup, Flat gasket, Panel thickness min.: 2.7 mm, Panel thickness max.: 3.5 mm, coding: N

The figure shows the 12-pos. product version

Commercial data

Item number	1594290
Packing unit	40 pc
Minimum order quantity	1 pc
Note	Made to order (non-returnable)
Product key	ABRAFR
GTIN	4046356200622
Weight per piece (including packing)	51.36 g
Weight per piece (excluding packing)	34.31 g
Country of origin	DE

RC-07P1N124100 - Device connector rear mounting



1594290

<https://www.phoenixcontact.com/us/products/1594290>

Technical data

Product properties

Product type	Circular connectors (device side)
--------------	-----------------------------------

Connector

Insulating body

Coding	N
Material (Insulating body)	PBT
Material (Contact)	CuZn
Material (Contact surface)	Ni/Au
Insertion/withdrawal cycles	50
Connection method	Solder cup
Contact switching type	Pin
Application	Signal
Number of positions	7
Direction of rotation	Standard
Connection profile	7
Number (Contact group 1)	7
Contact diameter (Contact group 1)	2 mm
Litz wires Min. cross section (Contact group 1)	0.08 mm ²
Litz wires Max. cross section (Contact group 1)	2.5 mm ²
Rated current Contact (Contact group 1)	20 A (for max. connection cross section)
Rated voltage Contact (Contact group 1)	48 V AC 74 V DC
Rated surge voltage	1.5 kV
Overvoltage category	III
Degree of pollution	3

Housing

Type	Flange housing
Thread type	M23
Design	straight
Type of locking	Screw locking mechanism
Pg screw connection	none
Mounting type	Rear mounting/square flange (4x M3)
Material (Housing)	Metal
Degree of protection (plugged in)	IP67
Seal for the device	Flat gasket

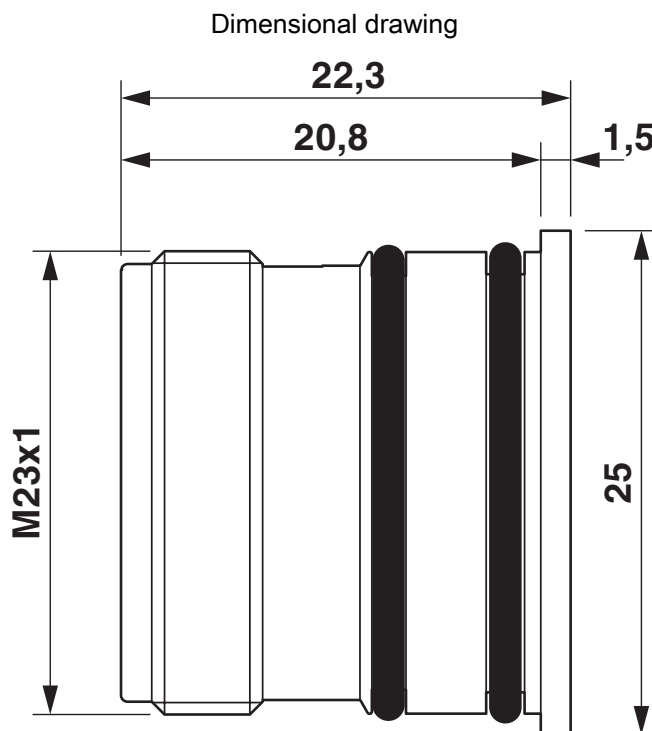
RC-07P1N124100 - Device connector rear mounting



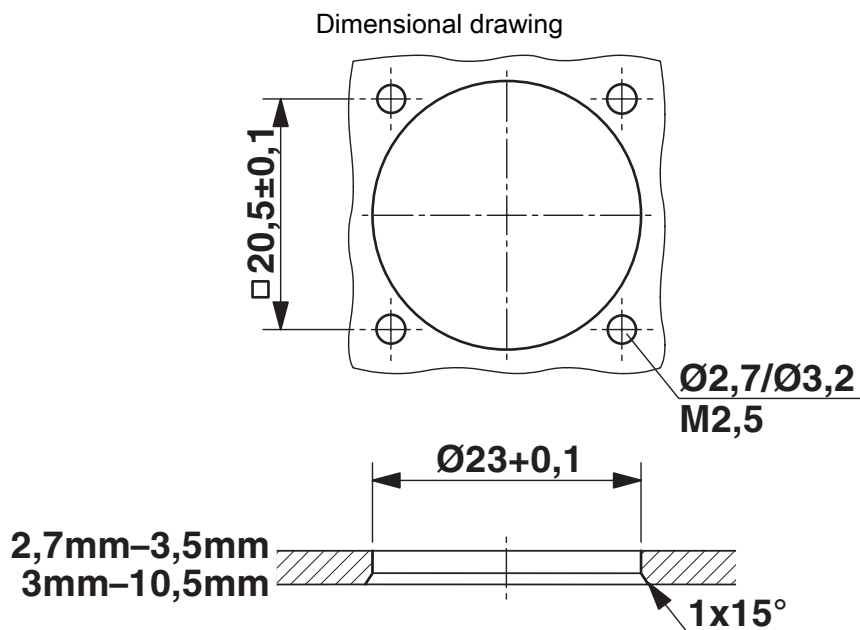
1594290

<https://www.phoenixcontact.com/us/products/1594290>

Drawings



Dimensional drawing



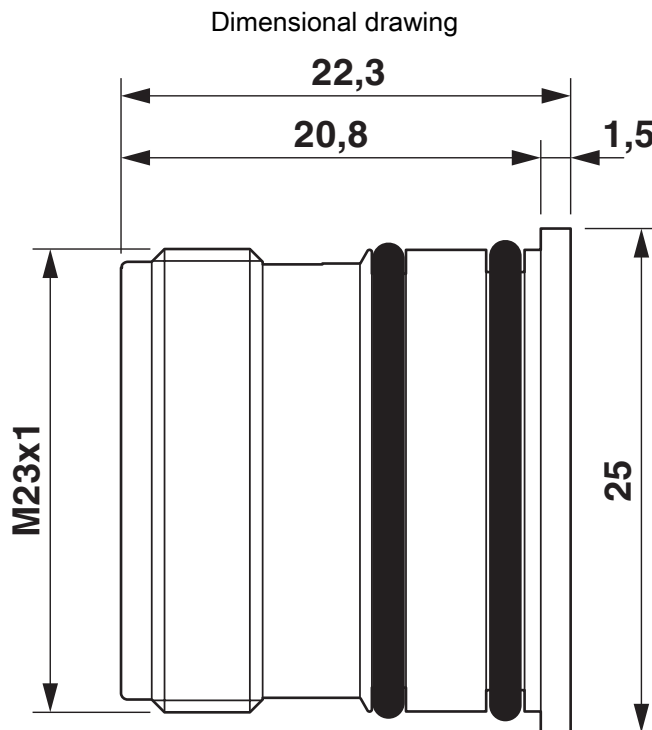
Installation dimensions

RC-07P1N124100 - Device connector rear mounting



1594290

<https://www.phoenixcontact.com/us/products/1594290>

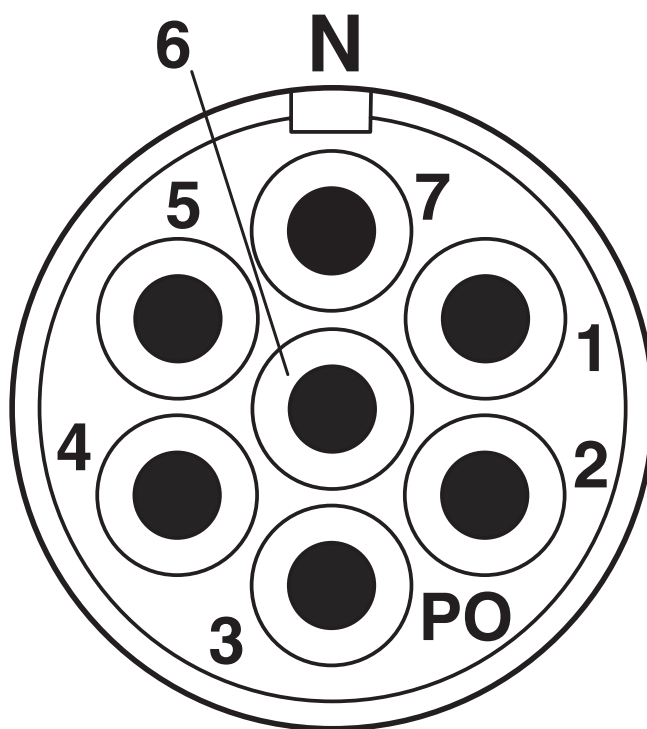


Dimensional drawing



Installation dimensions

Schematic diagram



Connector pin assignment

RC-07P1N124100 - Device connector rear mounting



1594290

<https://www.phoenixcontact.com/us/products/1594290>

Schematic diagram



Dimensional drawing

Phoenix Contact 2026 © - all rights reserved
<https://www.phoenixcontact.com>

Phoenix Contact USA
586 Fulling Mill Road
Middletown, PA 17057, United States
(+717) 944-1300
info@phoenixcon.com