

# RC-07P1N122200 - Device connector front mounting



1594281

<https://www.phoenixcontact.com/us/products/1594281>

Please be informed that the data shown in this PDF document is generated from our online catalog. Please find the complete data in the user documentation. Our general terms of use for downloads are valid.



M23, Device connector front mounting, application: Signal, series: RC, straight, shielded: yes, Screw locking mechanism, No. of pos.: 7, Direction of rotation: Standard, contact connection type: Pin, Solder cup, Flat gasket, flange dimensions: 25 mm x 25 mm, Panel thickness min.: 1 mm, coding: N. This product is in the process of being discontinued. This product must no longer be considered for new projects. Please contact your sales representative for alternatives. Alternative products: 1339319

## Commercial data

Item number	1594281
Packing unit	40 pc
Minimum order quantity	1 pc
Note	Made to order (non-returnable)
Product key	ABRAFL
GTIN	4046356200578
Weight per piece (including packing)	41.23 g
Weight per piece (excluding packing)	32.75 g
Country of origin	DE

# RC-07P1N122200 - Device connector front mounting



1594281

<https://www.phoenixcontact.com/us/products/1594281>

## Technical data

### Product properties

Product type	Circular connectors (device side)
--------------	-----------------------------------

### Connector

#### Insulating body

Coding	N
Material (Insulating body)	PBT
Material (Contact)	CuZn
Material (Contact surface)	Ni/Au
Insertion/withdrawal cycles	50
Connection method	Solder cup
Contact switching type	Pin
Application	Signal
Number of positions	7
Direction of rotation	Standard
Connection profile	7
Number (Contact group 1)	7
Contact diameter (Contact group 1)	2 mm
Litz wires Min. cross section (Contact group 1)	0.08 mm <sup>2</sup>
Litz wires Max. cross section (Contact group 1)	2.5 mm <sup>2</sup>
Rated current Contact (Contact group 1)	20 A (for max. connection cross section)
Rated voltage Contact (Contact group 1)	48 V AC 74 V DC
Rated surge voltage	1.5 kV
Overvoltage category	III
Degree of pollution	3

#### Housing

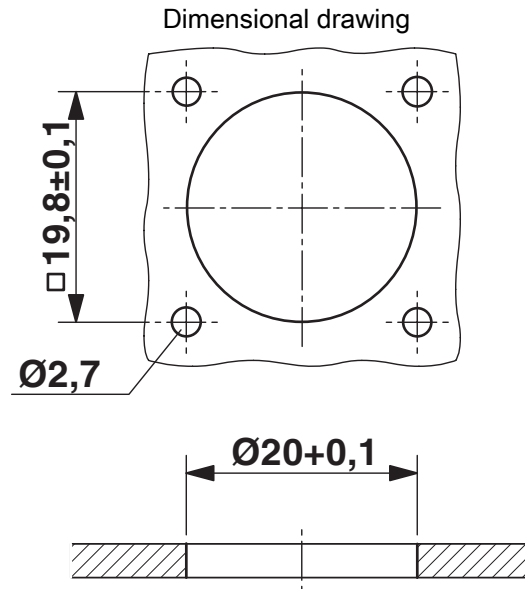
Type	Flange housing
Thread type	M23
Design	straight
Type of locking	Screw locking mechanism
Pg screw connection	none
Mounting type	Front mounting/square flange (4x Ø 2.7 mm)
Flange dimensions	25 mm x 25 mm
Material (Housing)	GD-Zn
Material (Housing surface)	Ni
Material (Rotating parts)	CuZn
Degree of protection (plugged in)	IP67
Seal for the device	Flat gasket

# RC-07P1N122200 - Device connector front mounting

1594281

<https://www.phoenixcontact.com/us/products/1594281>

## Drawings



## Installation dimensions

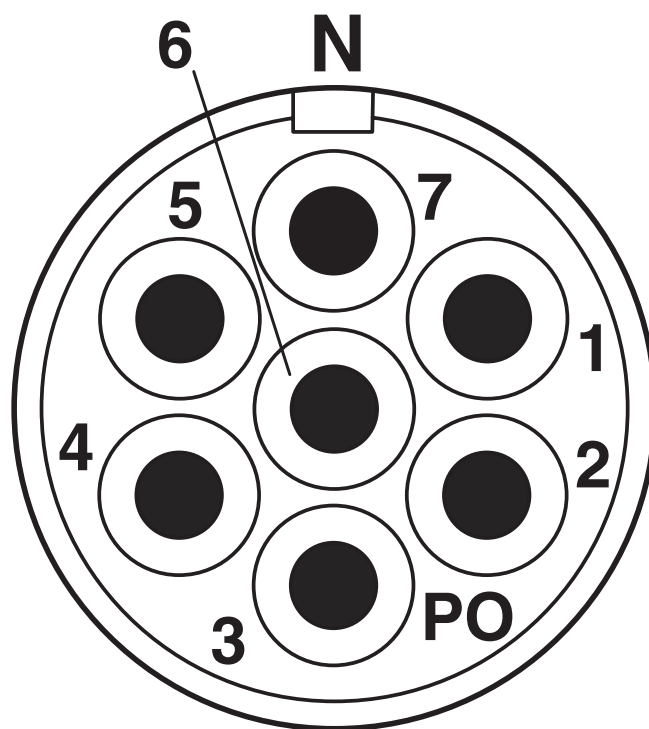
# RC-07P1N122200 - Device connector front mounting

1594281

<https://www.phoenixcontact.com/us/products/1594281>



Schematic diagram



Connector pin assignment

# RC-07P1N122200 - Device connector front mounting



1594281

<https://www.phoenixcontact.com/us/products/1594281>

Schematic diagram



Dimensional drawing

1594281

<https://www.phoenixcontact.com/us/products/1594281>

## Classifications

### ECLASS

ECLASS-13.0	27440109
ECLASS-15.0	27440109

### ETIM

ETIM 10.0	EC003569
-----------	----------

### UNSPSC

UNSPSC 21.0	39121400
-------------	----------

1594281

<https://www.phoenixcontact.com/us/products/1594281>

## Environmental product compliance

### EU RoHS

Fulfills EU RoHS substance requirements	Yes
Exemption	6(c)

### China RoHS

Environment friendly use period (EFUP)	EFUP-50
	An article-related China RoHS declaration table can be found in the download area for the respective article under "Manufacturer declaration". For all articles with EFUP-E, no China RoHS declaration table issued and required.

### EU REACH SVHC

REACH candidate substance (CAS No.)	Lead(CAS: 7439-92-1)
SCIP	f7a075bc-c604-48cf-aa1a-2f38236b3299

Phoenix Contact 2026 © - all rights reserved

<https://www.phoenixcontact.com>

Phoenix Contact USA  
586 Fulling Mill Road  
Middletown, PA 17057, United States  
(+717) 944-1300  
[info@phoenixcon.com](mailto:info@phoenixcon.com)