

# RC-06S1N8A6R00 - Crimp contact



1594044

<https://www.phoenixcontact.com/us/products/1594044>

Please be informed that the data shown in this PDF document is generated from our online catalog. Please find the complete data in the user documentation. Our general terms of use for downloads are valid.

Crimp contact



The figure shows the 12-pos. product version

## Commercial data

Item number	1594044
Packing unit	1 pc
Minimum order quantity	1 pc
Note	Made to order (non-returnable)
Sales key	AB31
Product key	ABRAFL
GTIN	4046356199285
Weight per piece (including packing)	117.8 g
Weight per piece (excluding packing)	34.01 g
Customs tariff number	85366990
Country of origin	DE

# RC-06S1N8A6R00 - Crimp contact



1594044

<https://www.phoenixcontact.com/us/products/1594044>

## Technical data

### Notes

Order information:

Order crimp contacts Ø 2 mm separately

### Product properties

Product type

Circular connectors (device side)

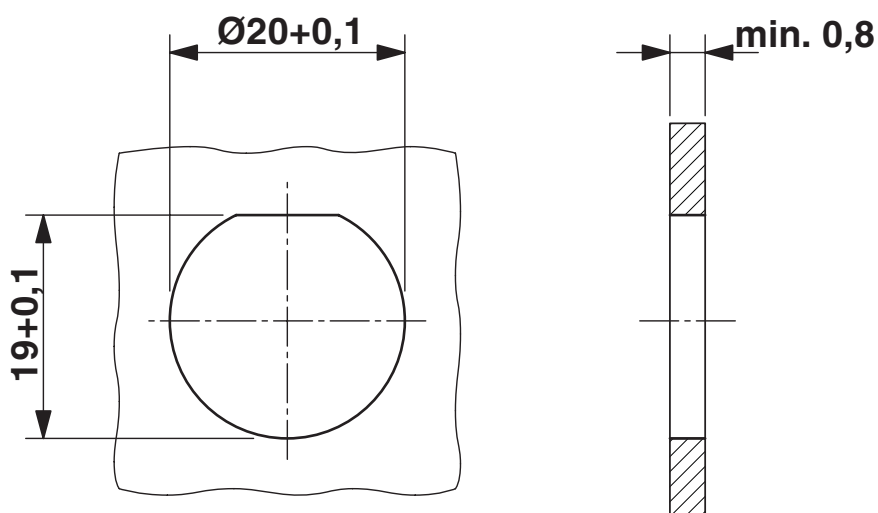
# RC-06S1N8A6R00 - Crimp contact

1594044

<https://www.phoenixcontact.com/us/products/1594044>

## Drawings

Dimensional drawing



## Installation dimensions

# RC-06S1N8A6R00 - Crimp contact



1594044

<https://www.phoenixcontact.com/us/products/1594044>

## Classifications

### UNSPSC

UNSPSC 21.0	39121400
-------------	----------

# RC-06S1N8A6R00 - Crimp contact



1594044

<https://www.phoenixcontact.com/us/products/1594044>

## Environmental product compliance

### EU RoHS

Fulfills EU RoHS substance requirements	Yes
Exemption	6(c)

### China RoHS

Environment friendly use period (EFUP)	EFUP-50
	An article-related China RoHS declaration table can be found in the download area for the respective article under "Manufacturer declaration". For all articles with EFUP-E, no China RoHS declaration table issued and required.

### EU REACH SVHC

REACH candidate substance (CAS No.)	Lead(CAS: 7439-92-1)
-------------------------------------	----------------------

Phoenix Contact 2026 © - all rights reserved  
<https://www.phoenixcontact.com>

Phoenix Contact USA  
586 Fulling Mill Road  
Middletown, PA 17057, United States  
(+717) 944-1300  
[info@phoenixcon.com](mailto:info@phoenixcon.com)