

RC-06P1N8BWQ00 - Device connector front mounting



1593529

<https://www.phoenixcontact.com/us/products/1593529>

Please be informed that the data shown in this PDF document is generated from our online catalog. Please find the complete data in the user documentation. Our general terms of use for downloads are valid.



M23, Device connector front mounting, application: Signal, series: RC, straight, shielded: yes, Screw locking mechanism, No. of pos.: 6, Direction of rotation: Standard, contact connection type: Pin, Crimp connection, Radial O-ring, Panel thickness min.: 3 mm, coding: N

The figure shows the 12-pos.
product version

Commercial data

Item number	1593529
Packing unit	40 pc
Minimum order quantity	1 pc
Note	Made to order (non-returnable)
Product key	ABRAFL
GTIN	4046356196680
Weight per piece (including packing)	33.8 g
Weight per piece (excluding packing)	27.72 g
Country of origin	DE

1593529

<https://www.phoenixcontact.com/us/products/1593529>

Technical data

Product properties

Product type	Circular connectors (device side)
--------------	-----------------------------------

Connector

Insulating body

Coding	N
Material (Insulating body)	PA 6.6
Material (Contact)	CuZn
Material (Contact surface)	Ni/Au
Insertion/withdrawal cycles	50
Connection method	Crimp connection
Contact switching type	Pin
Application	Signal
Number of positions	6
Direction of rotation	Standard
Connection profile	6
Number (Contact group 1)	6
Contact diameter (Contact group 1)	2 mm
Litz wires Min. cross section (Contact group 1)	1.5 mm ²
Litz wires Max. cross section (Contact group 1)	2.5 mm ²
Rated current Contact (Contact group 1)	20 A (for max. connection cross section)
Rated voltage Contact (Contact group 1)	48 V AC 74 V DC
Rated surge voltage	1.5 kV
Overvoltage category	III
Degree of pollution	3

Housing

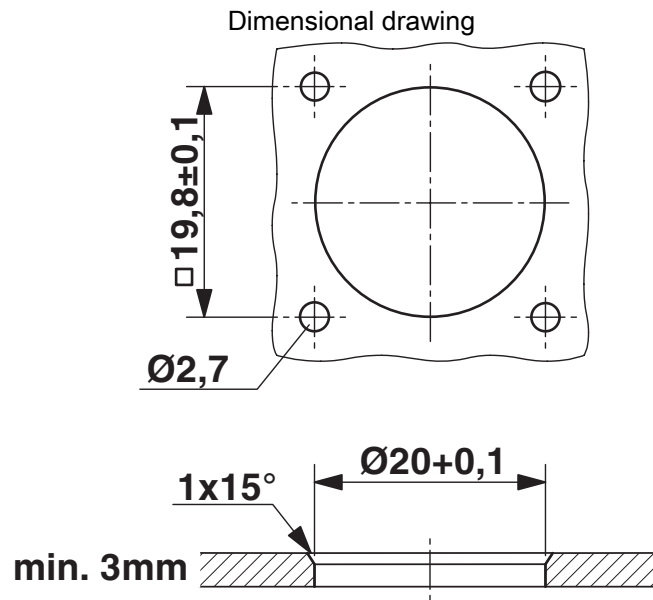
Type	Flange housing
Thread type	M23
Design	straight
Type of locking	Screw locking mechanism
Pg screw connection	none
Mounting type	Front mounting/square flange (4x Ø 2.7 mm)
Material (Housing)	GD-Zn
Material (Housing surface)	Ni
Material (Rotating parts)	CuZn
Degree of protection (plugged in)	IP67
Seal for the device	Radial O-ring

RC-06P1N8BWQ00 - Device connector front mounting

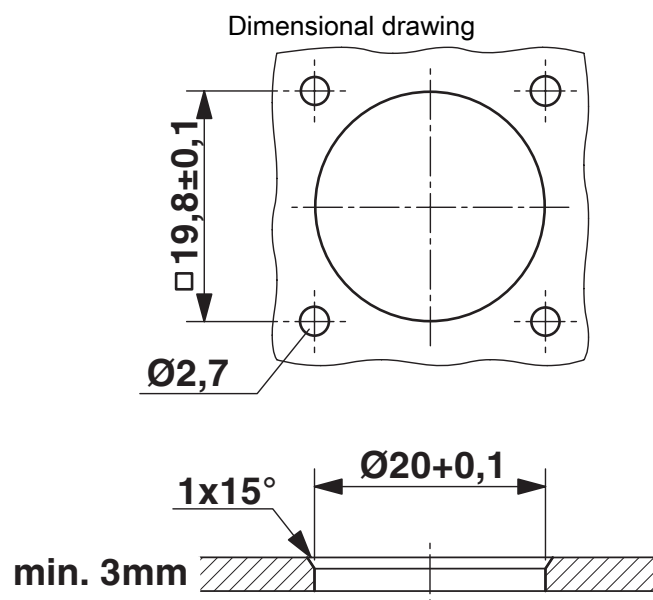
1593529

<https://www.phoenixcontact.com/us/products/1593529>

Drawings



Installation dimensions



Installation dimensions

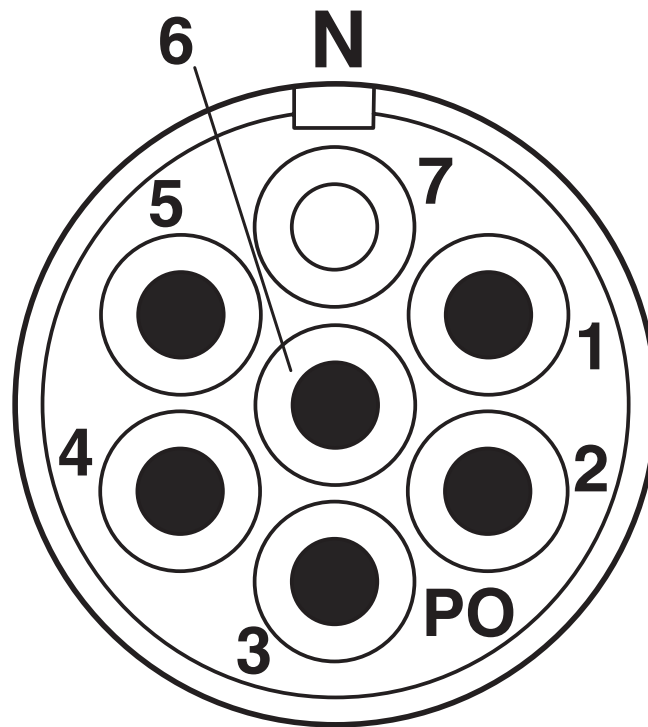
RC-06P1N8BWQ00 - Device connector front mounting



1593529

<https://www.phoenixcontact.com/us/products/1593529>

Schematic diagram



Connector pin assignment

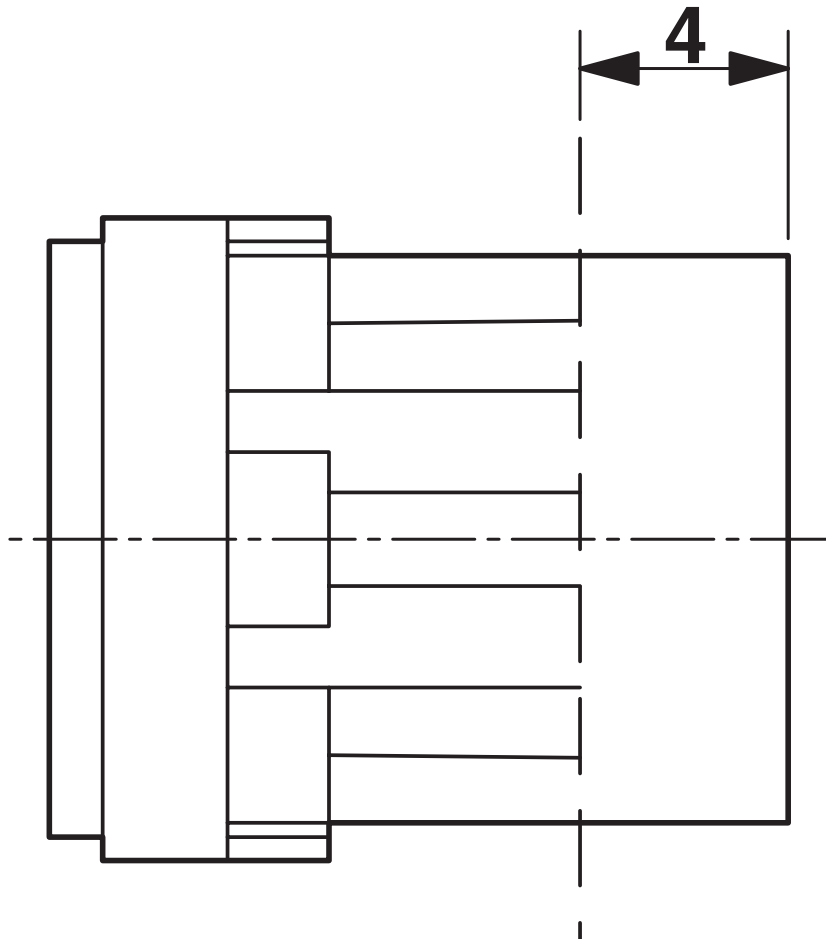
RC-06P1N8BWQ00 - Device connector front mounting



1593529

<https://www.phoenixcontact.com/us/products/1593529>

Schematic diagram



Technical drawings can be found under Downloads

RC-06P1N8BWQ00 - Device connector front mounting



1593529

<https://www.phoenixcontact.com/us/products/1593529>

Classifications

UNSPSC

UNSPSC 21.0	39121413
-------------	----------

1593529

<https://www.phoenixcontact.com/us/products/1593529>

Environmental product compliance

EU RoHS

Fulfills EU RoHS substance requirements	Yes
Exemption	6(c)

China RoHS

Environment friendly use period (EFUP)	EFUP-50
	An article-related China RoHS declaration table can be found in the download area for the respective article under "Manufacturer declaration". For all articles with EFUP-E, no China RoHS declaration table issued and required.

EU REACH SVHC

REACH candidate substance (CAS No.)	No substance above 0.1 wt%
-------------------------------------	----------------------------

Phoenix Contact 2026 © - all rights reserved
<https://www.phoenixcontact.com>

Phoenix Contact USA
586 Fulling Mill Road
Middletown, PA 17057, United States
(+717) 944-1300
info@phoenixcon.com