

RC-06P1N8A6100 - Device connector front mounting



1593435

<https://www.phoenixcontact.com/us/products/1593435>

Please be informed that the data shown in this PDF document is generated from our online catalog. Please find the complete data in the user documentation. Our general terms of use for downloads are valid.



The figure shows the 12-pos. product version

M23, Device connector front mounting, application: Signal, series: RC, straight, shielded: yes, Screw locking mechanism, No. of pos.: 6, Direction of rotation: Standard, contact connection type: Pin, Crimp connection, Axial O-ring, Panel thickness min.: 0.8 mm, Panel thickness max.: 6.5 mm, coding: N. This product is in the process of being discontinued. This product must no longer be considered for new projects. Please contact your sales representative for alternatives.

Commercial data

Item number	1593435
Packing unit	40 pc
Minimum order quantity	1 pc
Product key	ABRAFL
GTIN	4046356196192
Weight per piece (including packing)	33.59 g
Weight per piece (excluding packing)	30.72 g
Country of origin	DE

1593435

<https://www.phoenixcontact.com/us/products/1593435>

Technical data

Notes

Order information:	Order crimp contacts Ø 2 mm separately
--------------------	--

Product properties

Product type	Circular connectors (device side)
--------------	-----------------------------------

Connector

Insulating body

Note	Order information: Order crimp contacts Ø 2 mm separately
Coding	N
Material (Insulating body)	PA 6.6
Flammability rating according to UL 94	V0
Connection method	Crimp connection
Contact switching type	Pin
Application	Signal
Number of positions	6
Direction of rotation	Standard
Connection profile	6
Number (Contact group 1)	6
Contact diameter (Contact group 1)	2 mm
Rated current Contact (Contact group 1)	20 A (for max. connection cross section)
Rated voltage Contact (Contact group 1)	48 V AC 74 V DC
Rated surge voltage	1.5 kV
Overvoltage category	III
Degree of pollution	3

Housing

Order information:	Order contact inserts separately
Type	Feed-through header
Thread type	M23
Design	straight
Type of locking	Screw locking mechanism
Pg screw connection	none
Mounting type	Front mounting (M20 x 1,5)
Assembly note	Central fastening
Material (Housing)	GD-Zn
Material (Housing surface)	Ni
Material (Rotating parts)	CuZn
Degree of protection (plugged in)	IP67
Seal for the device	Axial O-ring

RC-06P1N8A6100 - Device connector front mounting



1593435

<https://www.phoenixcontact.com/us/products/1593435>

Environmental and real-life conditions

Ambient conditions

Permissible humidity (storage/transport)
--

50 % ... 65 %

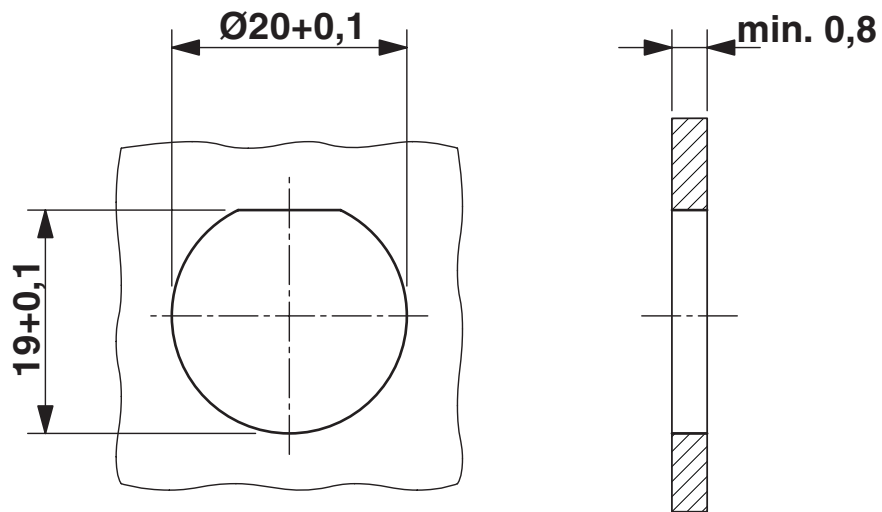
RC-06P1N8A6100 - Device connector front mounting

1593435

<https://www.phoenixcontact.com/us/products/1593435>

Drawings

Dimensional drawing



Installation dimensions

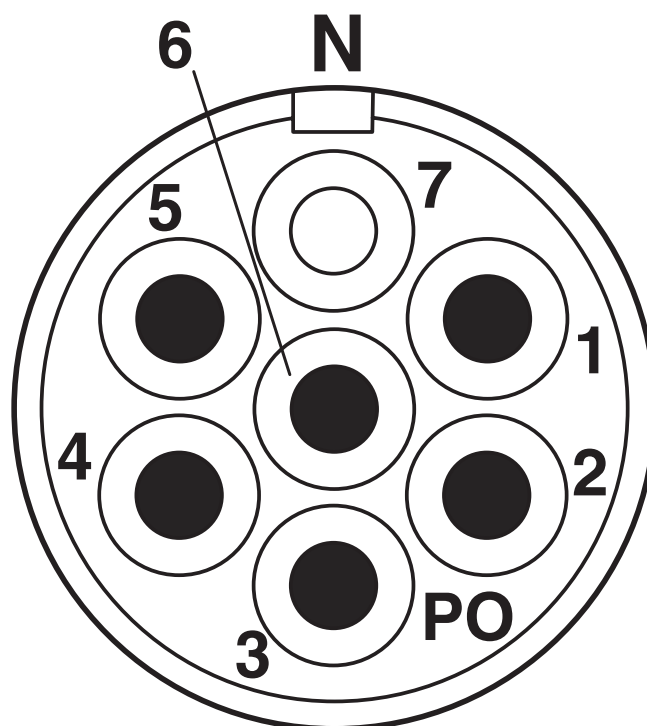
RC-06P1N8A6100 - Device connector front mounting

1593435

<https://www.phoenixcontact.com/us/products/1593435>



Schematic diagram



Connector pin assignment

1593435

<https://www.phoenixcontact.com/us/products/1593435>

Classifications

ECLASS

ECLASS-13.0	27440109
ECLASS-15.0	27440109

ETIM

ETIM 10.0	EC003569
-----------	----------

UNSPSC

UNSPSC 21.0	39121400
-------------	----------

1593435

<https://www.phoenixcontact.com/us/products/1593435>

Environmental product compliance

EU RoHS

Fulfills EU RoHS substance requirements	Yes
Exemption	6(c)

China RoHS

Environment friendly use period (EFUP)	EFUP-50
	An article-related China RoHS declaration table can be found in the download area for the respective article under "Manufacturer declaration". For all articles with EFUP-E, no China RoHS declaration table issued and required.

EU REACH SVHC

REACH candidate substance (CAS No.)	Lead(CAS: 7439-92-1)
SCIP	e6f32f8e-ae2-4107-b1ce-e83b45af603b

Phoenix Contact 2026 © - all rights reserved

<https://www.phoenixcontact.com>

Phoenix Contact USA
586 Fulling Mill Road
Middletown, PA 17057, United States
(+717) 944-1300
info@phoenixcon.com