

# RC-06P1N8A4000 - Device connector rear mounting



1593427

<https://www.phoenixcontact.com/us/products/1593427>

Please be informed that the data shown in this PDF document is generated from our online catalog. Please find the complete data in the user documentation. Our general terms of use for downloads are valid.



M23, Device connector rear mounting, application: Signal, series: RC, straight, Screw locking mechanism, No. of pos.: 6, Direction of rotation: Standard, contact connection type: Pin, Crimp connection, Flat gasket, coding: N. This product is in the process of being discontinued. This product must no longer be considered for new projects. Please contact your sales representative for alternatives.

The figure shows the 12-pos.  
product version

## Commercial data

Item number	1593427
Packing unit	40 pc
Minimum order quantity	1 pc
Product key	ABRAFR
GTIN	4046356196147
Weight per piece (including packing)	33.1 g
Weight per piece (excluding packing)	27.674 g
Country of origin	DE

1593427

<https://www.phoenixcontact.com/us/products/1593427>

## Technical data

### Notes

Order information:	Order crimp contacts Ø 2 mm separately
--------------------	--

### Product properties

Product type	Circular connectors (device side)
--------------	-----------------------------------

### Material specifications

Flammability rating according to UL 94	V0
--	----

### Connector

#### Insulating body

Note	Order information: Order crimp contacts Ø 2 mm separately
Coding	N
Material (Insulating body)	PA 6.6
Flammability rating according to UL 94	V0
Connection method	Crimp connection
Contact switching type	Pin
Application	Signal
Number of positions	6
Direction of rotation	Standard
Connection profile	6
Number (Contact group 1)	6
Contact diameter (Contact group 1)	2 mm
Rated current Contact (Contact group 1)	20 A (for max. connection cross section)
Rated voltage Contact (Contact group 1)	48 V AC
	74 V DC
Rated surge voltage	1.5 kV
Overvoltage category	III
Degree of pollution	3

#### Housing

Type	Flange housing
Thread type	M23
Design	straight
Type of locking	Screw locking mechanism
Pg screw connection	none
Mounting type	Rear mounting/square flange (4x M2,5)
Material (Housing)	Metal
Degree of protection (plugged in)	IP67
Seal for the device	Flat gasket

### Environmental and real-life conditions

# RC-06P1N8A4000 - Device connector rear mounting



1593427

<https://www.phoenixcontact.com/us/products/1593427>

## Ambient conditions

Degree of protection	IP67
Permissible humidity (storage/transport)	50 % ... 65 %

# RC-06P1N8A4000 - Device connector rear mounting

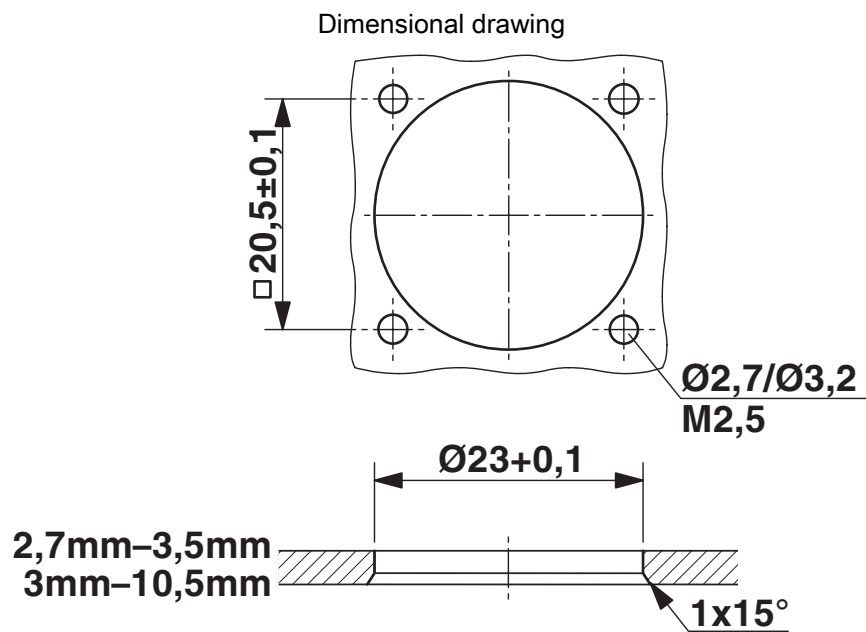
1593427

<https://www.phoenixcontact.com/us/products/1593427>

## Drawings



Dimensional drawing



Installation dimensions

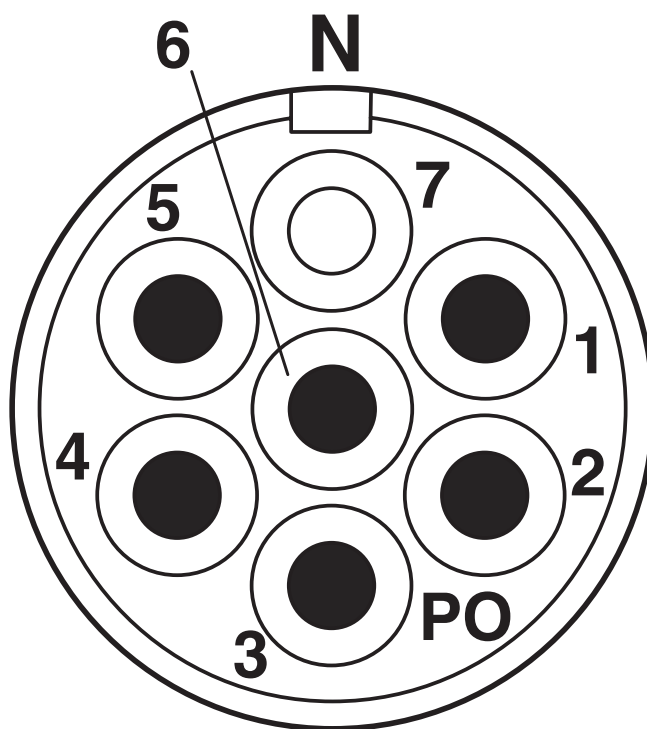
# RC-06P1N8A4000 - Device connector rear mounting

1593427

<https://www.phoenixcontact.com/us/products/1593427>



Schematic diagram



Connector pin assignment

# RC-06P1N8A4000 - Device connector rear mounting



1593427

<https://www.phoenixcontact.com/us/products/1593427>

## Classifications

### ECLASS

ECLASS-13.0	27440109
ECLASS-15.0	27440109

### ETIM

ETIM 10.0	EC003569
-----------	----------

### UNSPSC

UNSPSC 21.0	39121400
-------------	----------

1593427

<https://www.phoenixcontact.com/us/products/1593427>

## Environmental product compliance

### EU RoHS

Fulfills EU RoHS substance requirements	Yes
Exemption	6(c)

### China RoHS

Environment friendly use period (EFUP)	EFUP-50
	An article-related China RoHS declaration table can be found in the download area for the respective article under "Manufacturer declaration". For all articles with EFUP-E, no China RoHS declaration table issued and required.

### EU REACH SVHC

REACH candidate substance (CAS No.)	Lead(CAS: 7439-92-1)
SCIP	1a3ff31b-03a2-48a5-b045-4c6d1ae775ca

Phoenix Contact 2026 © - all rights reserved

<https://www.phoenixcontact.com>

Phoenix Contact USA  
586 Fulling Mill Road  
Middletown, PA 17057, United States  
(+717) 944-1300  
[info@phoenixcon.com](mailto:info@phoenixcon.com)