

# RC-06P1N12Q0J9 - Crimp contact



1593332

<https://www.phoenixcontact.com/us/products/1593332>

Please be informed that the data shown in this PDF document is generated from our online catalog. Please find the complete data in the user documentation. Our general terms of use for downloads are valid.

Crimp contact



## Commercial data

|                                      |                                |
|--------------------------------------|--------------------------------|
| Item number                          | 1593332                        |
| Packing unit                         | 12 pc                          |
| Minimum order quantity               | 1 pc                           |
| Note                                 | Made to order (non-returnable) |
| Product key                          | ABRAFJ                         |
| GTIN                                 | 4046356195584                  |
| Weight per piece (including packing) | 102.36 g                       |
| Weight per piece (excluding packing) | 102.36 g                       |
| Country of origin                    | DE                             |

# RC-06P1N12Q0J9 - Crimp contact



1593332

<https://www.phoenixcontact.com/us/products/1593332>

## Technical data

### Product properties

|              |                                 |
|--------------|---------------------------------|
| Product type | Circular connector (cable-side) |
|--------------|---------------------------------|

# RC-06P1N12Q0J9 - Crimp contact

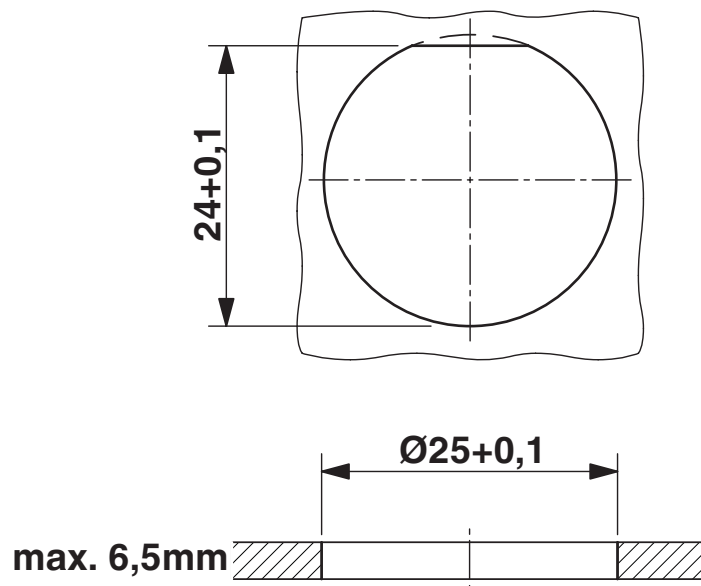
1593332

<https://www.phoenixcontact.com/us/products/1593332>



## Drawings

Dimensional drawing



Installation dimensions

# RC-06P1N12Q0J9 - Crimp contact



1593332

<https://www.phoenixcontact.com/us/products/1593332>

## Environmental product compliance

### China RoHS

|  |   |
|--|---|
| Environment friendly use period (EFUP) | EFUP-50   |
|  | An article-related China RoHS declaration table can be found in the download area for the respective article under "Manufacturer declaration". For all articles with EFUP-E, no China RoHS declaration table issued and required. |

### EU REACH SVHC

|                                     |                            |
|-------------------------------------|----------------------------|
| REACH candidate substance (CAS No.) | No substance above 0.1 wt% |
|-------------------------------------|----------------------------|

Phoenix Contact 2026 © - all rights reserved  
<https://www.phoenixcontact.com>

Phoenix Contact USA  
586 Fulling Mill Road  
Middletown, PA 17057, United States  
(+717) 944-1300  
[info@phoenixcon.com](mailto:info@phoenixcon.com)