

RC-06P1N124100 - Device connector rear mounting



1593120

<https://www.phoenixcontact.com/us/products/1593120>

Please be informed that the data shown in this PDF document is generated from our online catalog. Please find the complete data in the user documentation. Our general terms of use for downloads are valid.



M23, Device connector rear mounting, application: Signal, series: RC, straight, Screw locking mechanism, No. of pos.: 6, Direction of rotation: Standard, contact connection type: Pin, Solder cup, Flat gasket, Panel thickness min.: 2.7 mm, Panel thickness max.: 3.5 mm, coding: N, Alternative product in accordance with RoHS II without Exemption 6c (Pb < 0.1 %) item no.: 1240334

The figure shows the 12-pos.
product version

Commercial data

Item number	1593120
Packing unit	40 pc
Minimum order quantity	1 pc
Product key	ABRAFR
GTIN	4046356194389
Weight per piece (including packing)	36.13 g
Weight per piece (excluding packing)	33.261 g
Country of origin	DE

RC-06P1N124100 - Device connector rear mounting



1593120

<https://www.phoenixcontact.com/us/products/1593120>

Technical data

Product properties

Product type	Circular connectors (device side)
Thread type	M23

Material specifications

Flammability rating according to UL 94	V0
----------------------------------------	----

Connection data

Conductor connection

Connection method	Solder connection
-------------------	-------------------

Connector

Insulating body

Coding	N
Material (Insulating body)	PBT
Material (Contact)	CuZn
Material (Contact surface)	Ni/Au
Insertion/withdrawal cycles	50
Connection method	Solder cup
Contact switching type	Pin
Application	Signal
Number of positions	6
Direction of rotation	Standard
Connection profile	6
Number (Contact group 1)	6
Litz wires Min. cross section (Contact group 1)	0.08 mm ²
Litz wires Max. cross section (Contact group 1)	2.5 mm ²
Rated current Contact (Contact group 1)	20 A (for max. connection cross section)
Rated voltage Contact (Contact group 1)	48 V AC 74 V DC
Rated surge voltage	1.5 kV
Overvoltage category	III
Degree of pollution	3

Housing

Type	Flange housing
Thread type	M23
Design	straight
Type of locking	Screw locking mechanism
Pg screw connection	none
Mounting type	Rear mounting/square flange (4x M3)

RC-06P1N124100 - Device connector rear mounting



1593120

<https://www.phoenixcontact.com/us/products/1593120>

Material (Housing)	Metal
Degree of protection (plugged in)	IP67
Seal for the device	Flat gasket

Environmental and real-life conditions

Ambient conditions

Degree of protection	IP67
----------------------	------

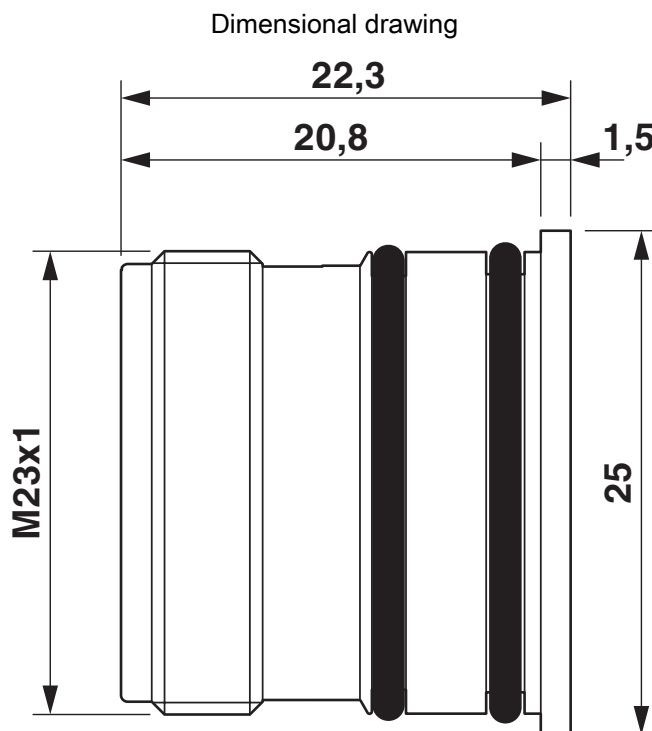
RC-06P1N124100 - Device connector rear mounting



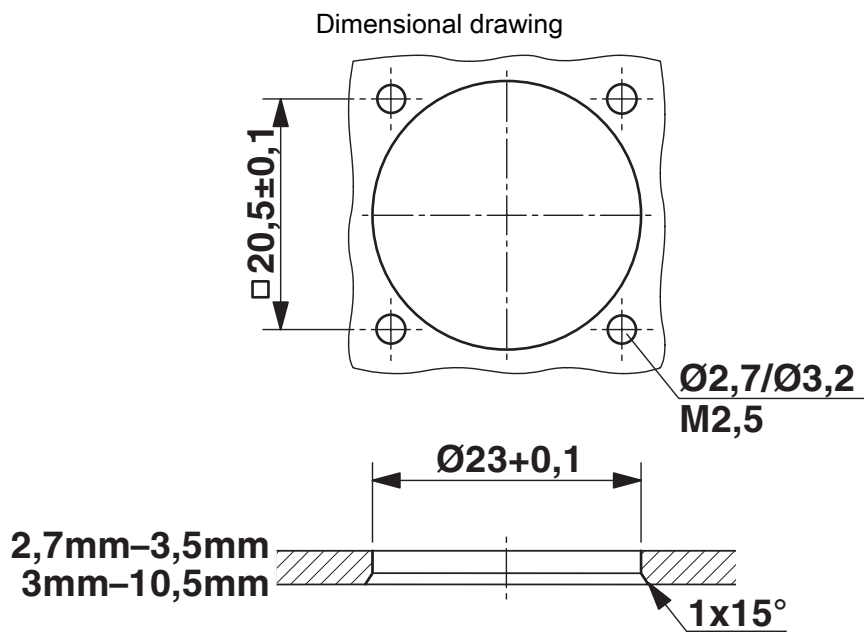
1593120

<https://www.phoenixcontact.com/us/products/1593120>

Drawings



Dimensional drawing

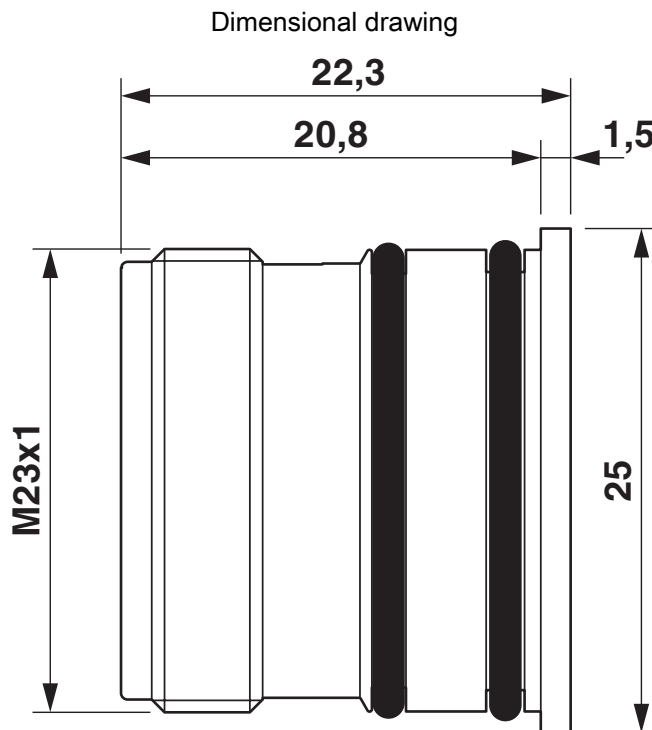


Installation dimensions

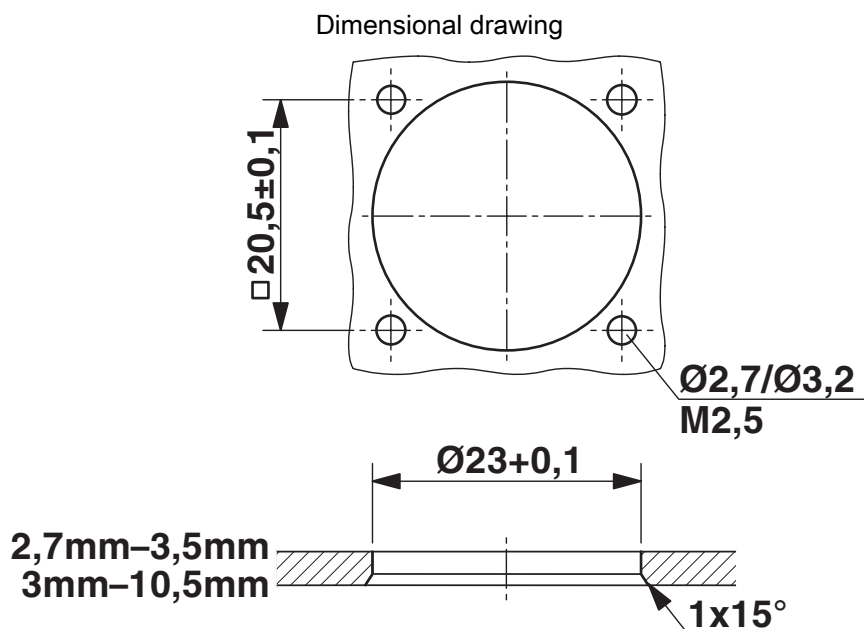
RC-06P1N124100 - Device connector rear mounting

1593120

<https://www.phoenixcontact.com/us/products/1593120>



Dimensional drawing



Installation dimensions

RC-06P1N124100 - Device connector rear mounting

1593120

<https://www.phoenixcontact.com/us/products/1593120>

Schematic diagram



Connector pin assignment

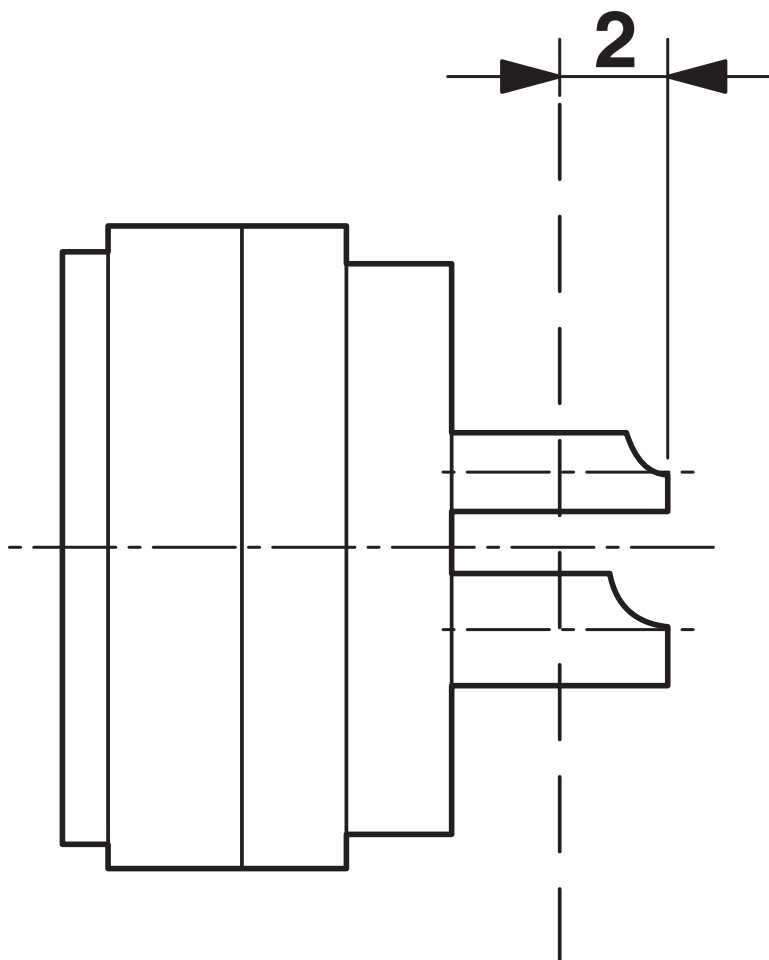
RC-06P1N124100 - Device connector rear mounting



1593120

<https://www.phoenixcontact.com/us/products/1593120>

Schematic diagram



Dimensional drawing

RC-06P1N124100 - Device connector rear mounting



1593120

<https://www.phoenixcontact.com/us/products/1593120>

Classifications

ETIM

ETIM 9.0	EC003569
----------	----------

UNSPSC

UNSPSC 21.0	39121400
-------------	----------

1593120

<https://www.phoenixcontact.com/us/products/1593120>

Environmental product compliance

EU RoHS

Fulfills EU RoHS substance requirements	Yes
Exemption	6(c)

China RoHS

Environment friendly use period (EFUP)	EFUP-50
	An article-related China RoHS declaration table can be found in the download area for the respective article under "Manufacturer declaration". For all articles with EFUP-E, no China RoHS declaration table issued and required.

EU REACH SVHC

REACH candidate substance (CAS No.)	Lead(CAS: 7439-92-1)
SCIP	c42393a0-6bb8-4920-8582-2ea2e99632dd

Phoenix Contact 2026 © - all rights reserved

<https://www.phoenixcontact.com>

Phoenix Contact USA
586 Fulling Mill Road
Middletown, PA 17057, United States
(+717) 944-1300
info@phoenixcon.com