

RC-0000000WQ00 - Housing for circular connector



1593021

<https://www.phoenixcontact.com/us/products/1593021>

Please be informed that the data shown in this PDF document is generated from our online catalog. Please find the complete data in the user documentation. Our general terms of use for downloads are valid.



Housing for circular connector, series: RC, straight, Screw locking mechanism, M23, Radial O-ring, shielded: yes, panel thickness min.: 3 mm. This product is in the process of being discontinued. This product must no longer be considered for new projects. Please contact your sales representative for alternatives. Alternative products: 1554116

Commercial data

Item number	1593021
Packing unit	40 pc
Minimum order quantity	1 pc
Sales key	AB31
Product key	ABRAFP
GTIN	4046356193832
Weight per piece (including packing)	25.622 g
Weight per piece (excluding packing)	23.19 g
Customs tariff number	85366990
Country of origin	DE

RC-0000000WQ00 - Housing for circular connector

1593021

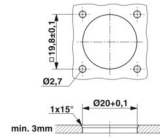
<https://www.phoenixcontact.com/us/products/1593021>

Technical data

Product properties

Product type	Circular connector housing
Series	RC
Application	Signal
Shielded	yes
Thread type	M23

Dimensions

Dimensional drawing	
Panel thickness	> 3 mm

Material specifications

Material Housing	GD-Zn
Material Housing surface	Ni
Material Rotating parts	CuZn
Gasket and O-ring material	FPM

Connector

Type	straight
------	----------

Environmental and real-life conditions

Ambient conditions

Degree of protection	IP67
Ambient temperature (operation)	-20 °C ... 125 °C
Altitude	2000 m

Mounting

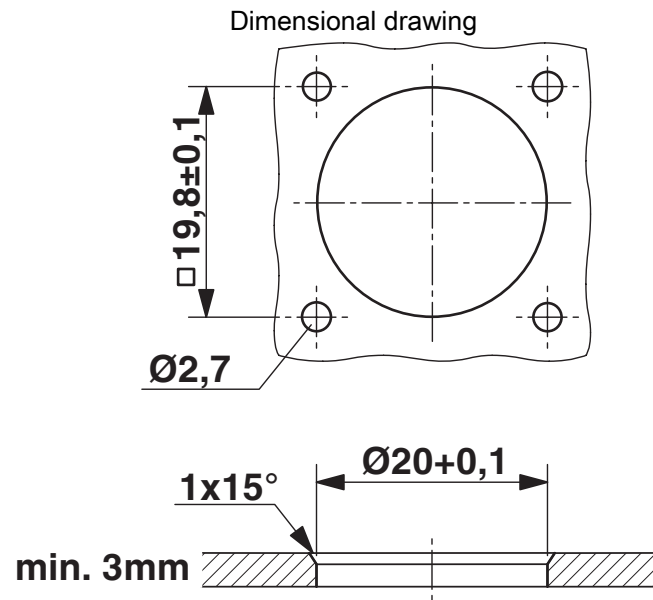
Mounting type	Front mounting/square flange (4x Ø 2.7 mm)
---------------	--

RC-0000000WQ00 - Housing for circular connector

1593021

<https://www.phoenixcontact.com/us/products/1593021>

Drawings



Installation dimensions

RC-0000000WQ00 - Housing for circular connector



1593021

<https://www.phoenixcontact.com/us/products/1593021>

Classifications

ECLASS

ECLASS-13.0	27440224
ECLASS-15.0	27440224

ETIM

ETIM 10.0	EC003556
-----------	----------

UNSPSC

UNSPSC 21.0	31261500
-------------	----------

RC-0000000WQ00 - Housing for circular connector



1593021

<https://www.phoenixcontact.com/us/products/1593021>

Environmental product compliance

EU RoHS

Fulfills EU RoHS substance requirements	Yes, No exemptions
---	--------------------

China RoHS

Environment friendly use period (EFUP)	EFUP-E
	No hazardous substances above the limits

EU REACH SVHC

REACH candidate substance (CAS No.)	No substance above 0.1 wt%
-------------------------------------	----------------------------

Phoenix Contact 2026 © - all rights reserved
<https://www.phoenixcontact.com>

Phoenix Contact USA
586 Fulling Mill Road
Middletown, PA 17057, United States
(+717) 944-1300
info@phoenixcon.com