

RC-0000000W200 - Housing for circular connector



1593015

<https://www.phoenixcontact.com/us/products/1593015>

Please be informed that the data shown in this PDF document is generated from our online catalog. Please find the complete data in the user documentation. Our general terms of use for downloads are valid.



Housing for circular connector, series: RC, straight, Screw locking mechanism, M23, Radial O-ring, shielded: yes Alternative products: 1554116

Similar figure

Commercial data

Item number	1593015
Packing unit	40 pc
Minimum order quantity	1 pc
Note	Made to order (non-returnable)
Product key	ABRAFP
GTIN	4046356193771
Weight per piece (including packing)	30.253 g
Weight per piece (excluding packing)	27 g
Country of origin	DE

RC-0000000W200 - Housing for circular connector



1593015

<https://www.phoenixcontact.com/us/products/1593015>

Technical data

Product properties

Product type	Circular connector housing
Series	RC
Application	Signal
Shielded	yes
Thread type	M23

Material specifications

Material Housing	Metal
------------------	-------

Connector

Type	straight
------	----------

Environmental and real-life conditions

Ambient conditions

Degree of protection	IP67
----------------------	------

Mounting

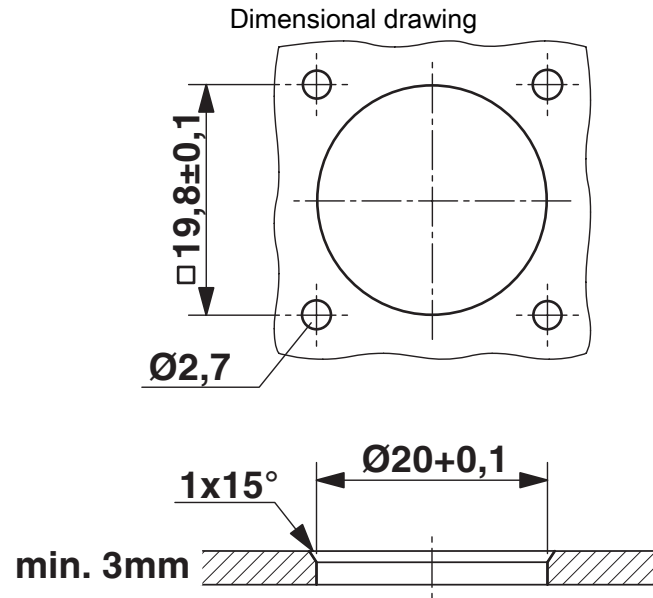
Mounting type	Front mounting/square flange (4x Ø 2.7 mm)
---------------	--

RC-0000000W200 - Housing for circular connector

1593015

<https://www.phoenixcontact.com/us/products/1593015>

Drawings



Installation dimensions

RC-0000000W200 - Housing for circular connector



1593015

<https://www.phoenixcontact.com/us/products/1593015>

Classifications

ECLASS

ECLASS-13.0	27440224
ECLASS-15.0	27440224

ETIM

ETIM 9.0	EC003556
----------	----------

UNSPSC

UNSPSC 21.0	39121400
-------------	----------

RC-0000000W200 - Housing for circular connector



1593015

<https://www.phoenixcontact.com/us/products/1593015>

Environmental product compliance

EU RoHS

Fulfills EU RoHS substance requirements	Yes, No exemptions
---	--------------------

China RoHS

Environment friendly use period (EFUP)	EFUP-E
	No hazardous substances above the limits

EU REACH SVHC

REACH candidate substance (CAS No.)	No substance above 0.1 wt%
-------------------------------------	----------------------------

Phoenix Contact 2026 © - all rights reserved
<https://www.phoenixcontact.com>

Phoenix Contact USA
586 Fulling Mill Road
Middletown, PA 17057, United States
(+717) 944-1300
info@phoenixcon.com