

# RC-0000000AD00 - Housing for circular connector



1592777

<https://www.phoenixcontact.com/us/products/1592777>

Please be informed that the data shown in this PDF document is generated from our online catalog. Please find the complete data in the user documentation. Our general terms of use for downloads are valid.



Housing for circular connector, series: RC, angled rotatable, Screw locking mechanism, M23, Axial O-ring, shielded: yes. This product is in the process of being discontinued. This product must no longer be considered for new projects. Please contact your sales representative for alternatives. Alternative products: 1554118

## Commercial data

Item number	1592777
Packing unit	16 pc
Minimum order quantity	1 pc
Sales key	AB31
Product key	ABRAFQ
GTIN	4046356192705
Weight per piece (including packing)	129.143 g
Weight per piece (excluding packing)	110.258 g
Customs tariff number	85366990
Country of origin	DE

# RC-0000000AD00 - Housing for circular connector



1592777

<https://www.phoenixcontact.com/us/products/1592777>

## Technical data

### Product properties

Product type	Circular connector housing
Series	RC
Application	Signal
Shielded	yes
Thread type	M23

### Material specifications

Material Housing	GD-Zn
Material Housing surface	Ni
Material Rotating parts	CuZn
Material Seal	FKM
Gasket and O-ring material	FPM

### Connector

Type	angled rotatable
------	------------------

### Environmental and real-life conditions

#### Ambient conditions

Degree of protection	IP67
Ambient temperature (operation)	-20 °C ... 125 °C
Altitude	2000 m

### Mounting

Mounting type	Front mounting/square flange (4x Ø 3.2 mm)
---------------	--

# RC-0000000AD00 - Housing for circular connector

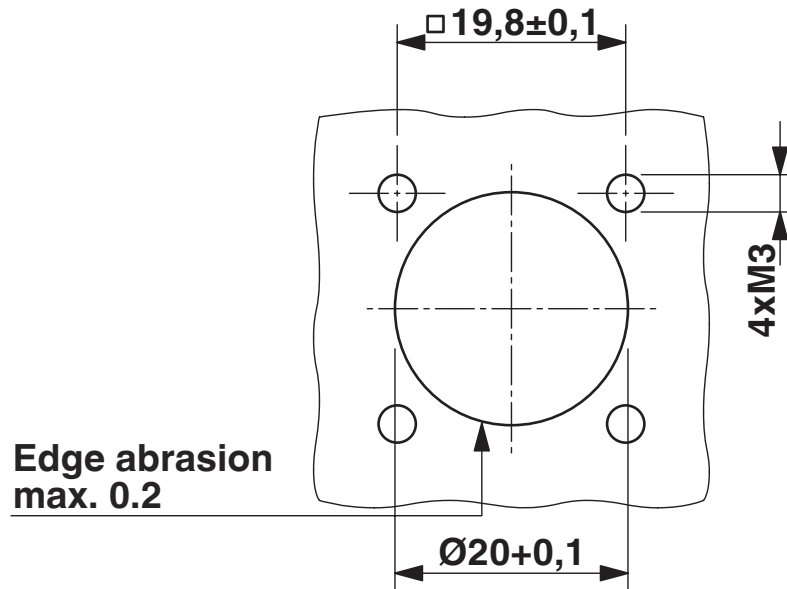


1592777

<https://www.phoenixcontact.com/us/products/1592777>

## Drawings

Dimensional drawing



Installation dimensions

# RC-0000000AD00 - Housing for circular connector



1592777

<https://www.phoenixcontact.com/us/products/1592777>

## Classifications

### ECLASS

ECLASS-13.0	27440224
ECLASS-15.0	27440224

### ETIM

ETIM 10.0	EC003556
-----------	----------

### UNSPSC

UNSPSC 21.0	31261500
-------------	----------

# RC-0000000AD00 - Housing for circular connector



1592777

<https://www.phoenixcontact.com/us/products/1592777>

## Environmental product compliance

### EU RoHS

Fulfills EU RoHS substance requirements	Yes, No exemptions
---	--------------------

### China RoHS

Environment friendly use period (EFUP)	EFUP-E
	No hazardous substances above the limits

### EU REACH SVHC

REACH candidate substance (CAS No.)	No substance above 0.1 wt%
-------------------------------------	----------------------------

Phoenix Contact 2026 © - all rights reserved  
<https://www.phoenixcontact.com>

Phoenix Contact USA  
586 Fulling Mill Road  
Middletown, PA 17057, United States  
(+717) 944-1300  
[info@phoenixcon.com](mailto:info@phoenixcon.com)