

1592641

<https://www.phoenixcontact.com/us/products/1592641>

Please be informed that the data shown in this PDF document is generated from our online catalog. Please find the complete data in the user documentation. Our general terms of use for downloads are valid.



Sleeve housing for cable connector, straight, M23, shielded: yes, Alternative product in accordance with RoHS II without Exemption 6c (Pb < 0.1 %) item no.: 1240251

Commercial data

Item number	1592641
Packing unit	20 pc
Minimum order quantity	1 pc
Note	Made to order (non-returnable)
Product key	ABRAFE
GTIN	4046356192040
Weight per piece (including packing)	92.7 g
Weight per piece (excluding packing)	66.13 g
Country of origin	DE

1592641

<https://www.phoenixcontact.com/us/products/1592641>

Technical data

Notes

Order information:	Order contact inserts and cable clamping/shield accessories separately
--------------------	--

Product properties

Product type	Sleeve housings
Application	Signal
Shielded	yes
Thread type	M23

Material specifications

Housing material	Metal
------------------	-------

Connector

Type	straight
------	----------

Environmental and real-life conditions

Ambient conditions

Degree of protection	IP67
Ambient temperature (operation)	-20 °C ... 125 °C
Altitude	2000 m

RC-00000008049 - Sleeve housing for cable connector

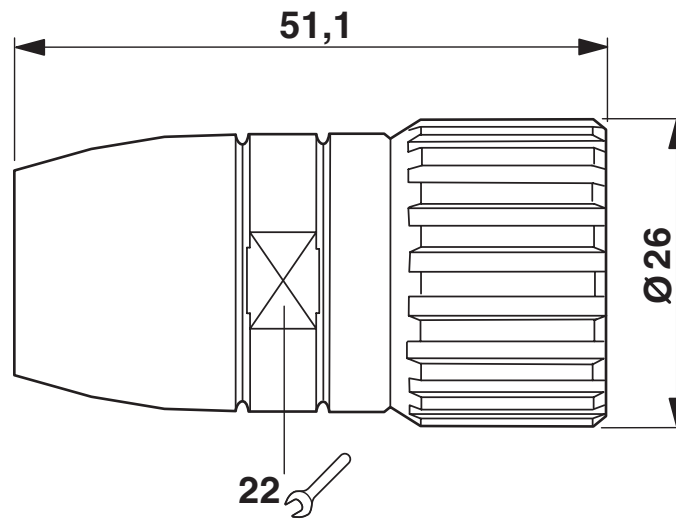


1592641

<https://www.phoenixcontact.com/us/products/1592641>

Drawings

Dimensional drawing



Dimensional drawing

1592641

<https://www.phoenixcontact.com/us/products/1592641>

Classifications

ECLASS

ECLASS-13.0

27440224

ETIM

ETIM 9.0

EC003556

UNSPSC

UNSPSC 21.0

39121400

1592641

<https://www.phoenixcontact.com/us/products/1592641>

Environmental product compliance

EU RoHS

Fulfills EU RoHS substance requirements	Yes
Exemption	6(c)

China RoHS

Environment friendly use period (EFUP)	EFUP-50
	An article-related China RoHS declaration table can be found in the download area for the respective article under "Manufacturer declaration". For all articles with EFUP-E, no China RoHS declaration table issued and required.

EU REACH SVHC

REACH candidate substance (CAS No.)	Lead(CAS: 7439-92-1)
SCIP	4405dc01-8316-48f2-9c6c-7082015cd89d

Phoenix Contact 2026 © - all rights reserved

<https://www.phoenixcontact.com>

Phoenix Contact USA
 586 Fulling Mill Road
 Middletown, PA 17057, United States
 (+717) 944-1300
info@phoenixcon.com