

# RC-00000004200 - Housing for circular connector



1592589

<https://www.phoenixcontact.com/us/products/1592589>

Please be informed that the data shown in this PDF document is generated from our online catalog. Please find the complete data in the user documentation. Our general terms of use for downloads are valid.



Housing for circular connector, series: RC, straight, Screw locking mechanism, M23, Radial O-ring, shielded: yes, panel thickness min.: 2.7 mm, panel thickness max.: 3.5 mm, this item is expected to be lead-free from Q3 2026 in accordance with RoHS II without exception 6c (Pb < 0.1%), a lead-free alternative is possible on request in advance. This product is in the process of being discontinued. This product must no longer be considered for new projects. Please contact your sales representative for alternatives.

## Commercial data

|                                      |               |
|--------------------------------------|---------------|
| Item number                          | 1592589       |
| Packing unit                         | 40 pc         |
| Minimum order quantity               | 1 pc          |
| Sales key                            | AB31          |
| Product key                          | ABRAFP        |
| GTIN                                 | 4046356191678 |
| Weight per piece (including packing) | 28.16 g       |
| Weight per piece (excluding packing) | 26.014 g      |
| Customs tariff number                | 85389099      |
| Country of origin                    | DE            |

# RC-00000004200 - Housing for circular connector



1592589

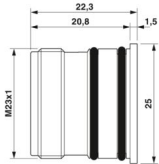
<https://www.phoenixcontact.com/us/products/1592589>

## Technical data

### Product properties

|              |                            |
|--------------|----------------------------|
| Product type | Circular connector housing |
| Series       | RC                         |
| Application  | Signal                     |
| Shielded     | yes                        |
| Thread type  | M23                        |

### Dimensions

|                     |  |
|---------------------|--|
| Dimensional drawing |  |
| Panel thickness     | 2.7 mm ... 3.5 mm  |

### Material specifications

|                            |       |
|----------------------------|-------|
| Material Housing           | GD-Zn |
| Material Housing surface   | Ni    |
| Material Rotating parts    | CuZn  |
| Gasket and O-ring material | FPM   |

### Connector

|      |          |
|------|----------|
| Type | straight |
|------|----------|

### Environmental and real-life conditions

#### Ambient conditions

|                                 |                   |
|---------------------------------|-------------------|
| Degree of protection            | IP67              |
| Ambient temperature (operation) | -20 °C ... 125 °C |
| Altitude                        | 2000 m            |

### Mounting

|               |                                       |
|---------------|---------------------------------------|
| Mounting type | Rear mounting/square flange (4x M2,5) |
|---------------|---------------------------------------|

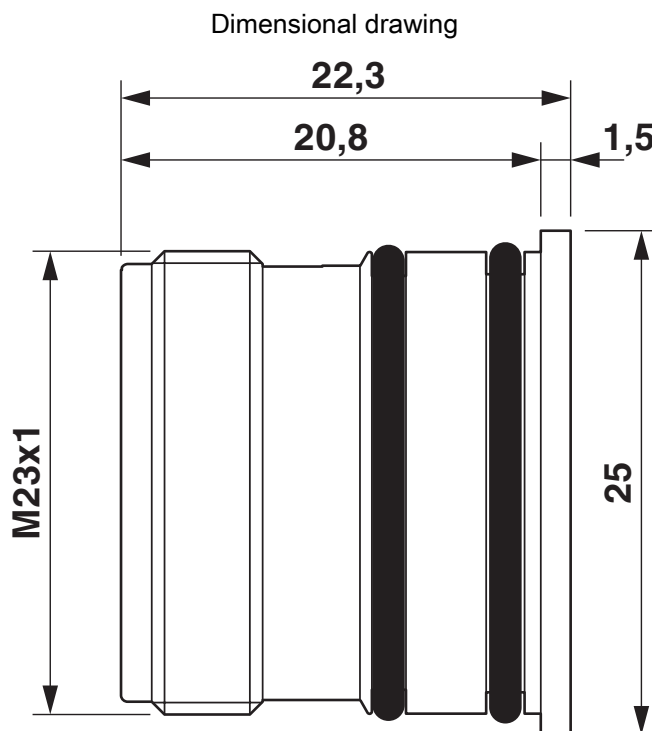
# RC-00000004200 - Housing for circular connector



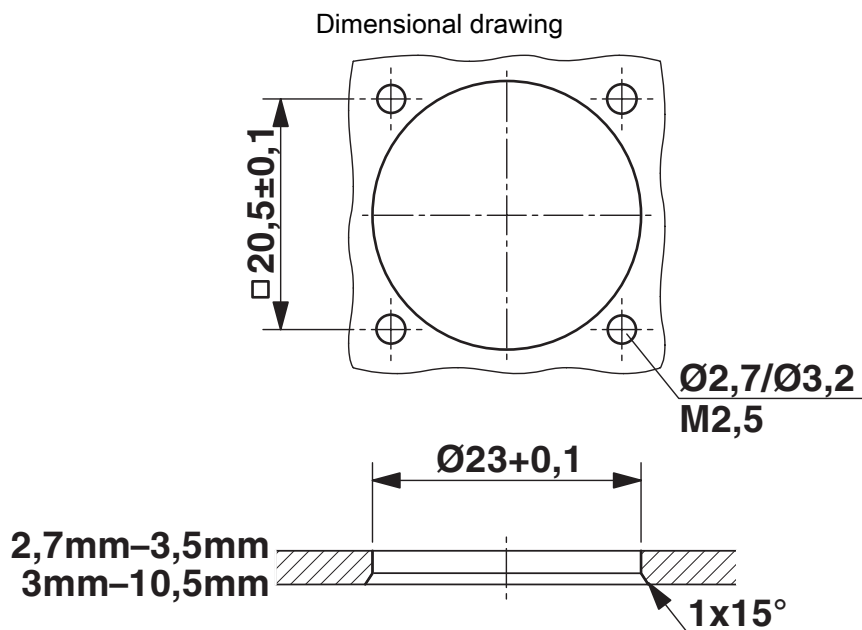
1592589

<https://www.phoenixcontact.com/us/products/1592589>

## Drawings



Dimensional drawing



Installation dimensions

# RC-00000004200 - Housing for circular connector



1592589

<https://www.phoenixcontact.com/us/products/1592589>

## Classifications

### ECLASS

|             |          |
|-------------|----------|
| ECLASS-13.0 | 27440224 |
| ECLASS-15.0 | 27440224 |

### ETIM

|           |          |
|-----------|----------|
| ETIM 10.0 | EC003556 |
|-----------|----------|

### UNSPSC

|             |          |
|-------------|----------|
| UNSPSC 21.0 | 31261500 |
|-------------|----------|

1592589

<https://www.phoenixcontact.com/us/products/1592589>

## Environmental product compliance

### EU RoHS

|   |      |
|---|------|
| Fulfills EU RoHS substance requirements | Yes  |
| Exemption                               | 6(c) |

### China RoHS

|  |   |
|--|---|
| Environment friendly use period (EFUP) | EFUP-50   |
|  | An article-related China RoHS declaration table can be found in the download area for the respective article under "Manufacturer declaration". For all articles with EFUP-E, no China RoHS declaration table issued and required. |

### EU REACH SVHC

|                                     |                                      |
|-------------------------------------|--------------------------------------|
| REACH candidate substance (CAS No.) | Lead(CAS: 7439-92-1)                 |
| SCIP                                | 88d64028-e848-43bd-a8d3-bf39f819d798 |

Phoenix Contact 2026 © - all rights reserved

<https://www.phoenixcontact.com>

Phoenix Contact USA  
586 Fulling Mill Road  
Middletown, PA 17057, United States  
(+717) 944-1300  
[info@phoenixcon.com](mailto:info@phoenixcon.com)