

RC-00000004100 - Housing for circular connector



1592587

<https://www.phoenixcontact.com/us/products/1592587>

Please be informed that the data shown in this PDF document is generated from our online catalog. Please find the complete data in the user documentation. Our general terms of use for downloads are valid.



Housing for circular connector, series: RC, straight, Screw locking mechanism, M23, Flat gasket, panel thickness min.: 2.7 mm, panel thickness max.: 3.5 mm. This product is in the process of being discontinued. This product must no longer be considered for new projects. Please contact your sales representative for alternatives.

Commercial data

Item number	1592587
Packing unit	40 pc
Minimum order quantity	1 pc
Note	Made to order (non-returnable)
Product key	ABRAFP
GTIN	4046356191661
Weight per piece (including packing)	34.1 g
Weight per piece (excluding packing)	25.901 g
Country of origin	DE

RC-00000004100 - Housing for circular connector



1592587

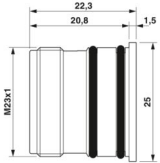
<https://www.phoenixcontact.com/us/products/1592587>

Technical data

Product properties

Product type	Circular connector housing
Series	RC
Application	Signal
Thread type	M23

Dimensions

Dimensional drawing	
Panel thickness	2.7 mm ... 3.5 mm

Material specifications

Material Housing	Metal
------------------	-------

Connector

Type	straight
------	----------

Environmental and real-life conditions

Ambient conditions

Degree of protection	IP67
----------------------	------

Mounting

Mounting type	Rear mounting/square flange (4x M3)
---------------	-------------------------------------

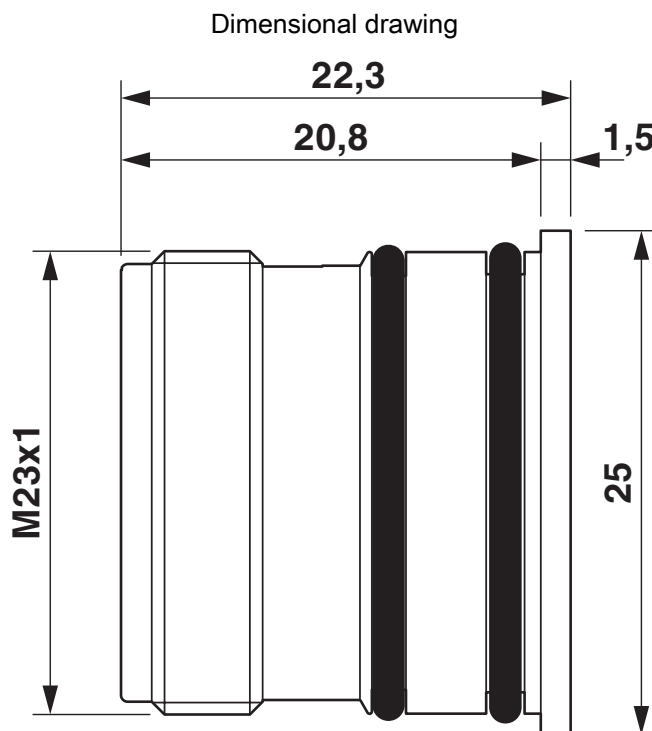
RC-00000004100 - Housing for circular connector



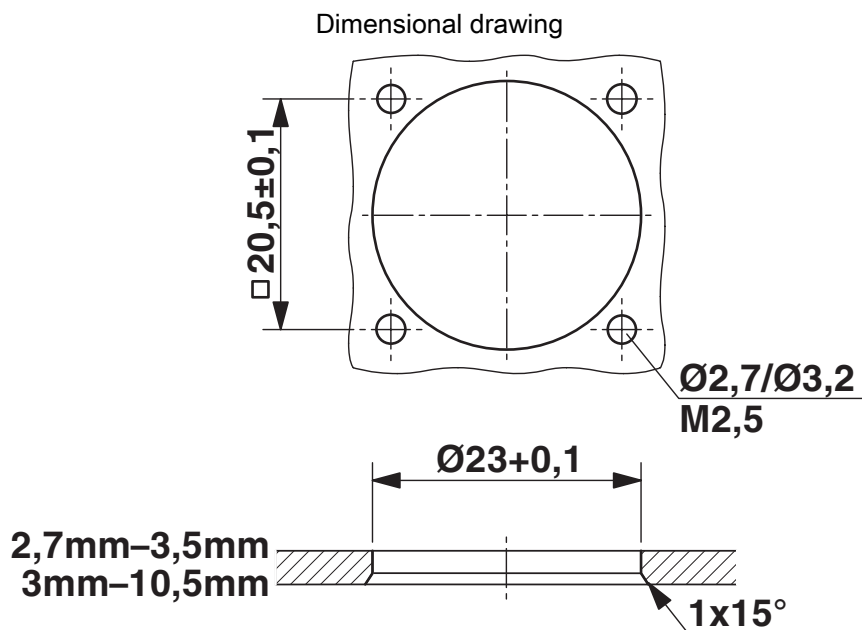
1592587

<https://www.phoenixcontact.com/us/products/1592587>

Drawings



Dimensional drawing



Installation dimensions

RC-00000004100 - Housing for circular connector



1592587

<https://www.phoenixcontact.com/us/products/1592587>

Classifications

ECLASS

ECLASS-13.0	27440224
ECLASS-15.0	27440224

ETIM

ETIM 10.0	EC003556
-----------	----------

UNSPSC

UNSPSC 21.0	39121400
-------------	----------

1592587

<https://www.phoenixcontact.com/us/products/1592587>

Environmental product compliance

EU RoHS

Fulfills EU RoHS substance requirements	Yes
Exemption	6(c)

China RoHS

Environment friendly use period (EFUP)	EFUP-50
	An article-related China RoHS declaration table can be found in the download area for the respective article under "Manufacturer declaration". For all articles with EFUP-E, no China RoHS declaration table issued and required.

EU REACH SVHC

REACH candidate substance (CAS No.)	Lead(CAS: 7439-92-1)
SCIP	43a4be09-26af-4712-979e-b8aa505f5b38

Phoenix Contact 2026 © - all rights reserved

<https://www.phoenixcontact.com>

Phoenix Contact USA
586 Fulling Mill Road
Middletown, PA 17057, United States
(+717) 944-1300
info@phoenixcon.com