

RC-00000001D00 - Sleeve housing for cable connector



1592562

<https://www.phoenixcontact.com/us/products/1592562>

Please be informed that the data shown in this PDF document is generated from our online catalog. Please find the complete data in the user documentation. Our general terms of use for downloads are valid.



Sleeve housing for cable connector, series: RC, straight, Screw locking mechanism, M23, shielded: no

Commercial data

Item number	1592562
Packing unit	20 pc
Minimum order quantity	1 pc
Note	Made to order (non-returnable)
Product key	ABRAFE
GTIN	4046356191548
Weight per piece (including packing)	100.48 g
Weight per piece (excluding packing)	100.48 g
Country of origin	DE

RC-00000001D00 - Sleeve housing for cable connector



1592562

<https://www.phoenixcontact.com/us/products/1592562>

Technical data

Product properties

Product type	Sleeve housings
Series	RC
Application	Signal
Type of the screw connection	IP65 double bracket
Shielded	no
Thread type	M23

Material specifications

Housing material	Metal
------------------	-------

Connector

Type	straight
------	----------

Mechanical properties

Mechanical data

Type of the screw connection	IP65 double bracket
------------------------------	---------------------

Environmental and real-life conditions

Ambient conditions

Degree of protection	IP65
	IP67

RC-00000001D00 - Sleeve housing for cable connector

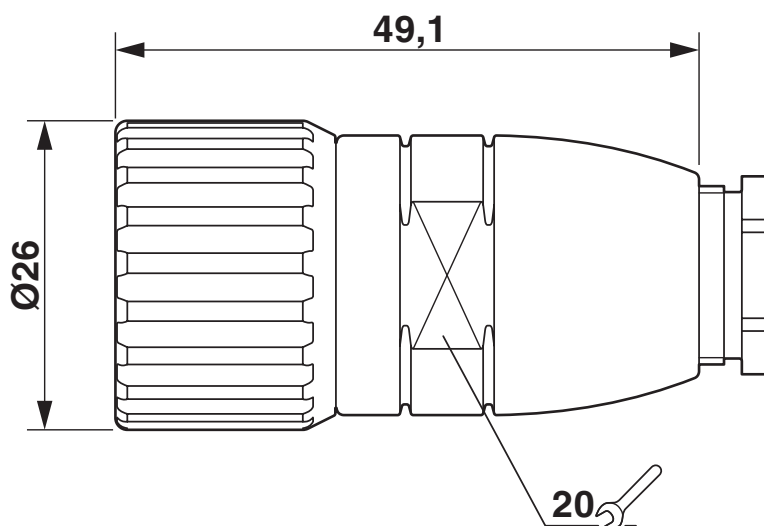


1592562

<https://www.phoenixcontact.com/us/products/1592562>

Drawings

Dimensional drawing



Phoenix Contact 2026 © - all rights reserved
<https://www.phoenixcontact.com>

Phoenix Contact USA
586 Fulling Mill Road
Middletown, PA 17057, United States
(+717) 944-1300
info@phoenixcon.com