

PV-14P1N22HG00 - Device connector rear mounting



1592501

<https://www.phoenixcontact.com/us/products/1592501>

Please be informed that the data shown in this PDF document is generated from our online catalog. Please find the complete data in the user documentation. Our general terms of use for downloads are valid.



Device connector rear mounting, application: Signal, straight, Screw locking mechanism, M16, number of positions: 14, contact connection type: Pin, Axial O-ring, shielded: no, number of positions: 14, connection method: Solder pins, series: PV, This product is in the process of being discontinued. This product must no longer be considered for new projects. Please contact your sales representative for alternatives.

Commercial data

Item number	1592501
Packing unit	12 pc
Minimum order quantity	1 pc
Note	Made to order (non-returnable)
Product key	ABRAKR
GTIN	4046356191357
Weight per piece (including packing)	31.4 g
Weight per piece (excluding packing)	24.02 g
Country of origin	DE

PV-14P1N22HG00 - Device connector rear mounting



1592501

<https://www.phoenixcontact.com/us/products/1592501>

Technical data

Mounting

Mounting type	Rear mounting (M18 x 0,75)
---------------	----------------------------

Product properties

Product type	Circular connectors (device side)
Series	PV
Application	Signal
Number of positions	14
Connection profile	14
Shielded	no
Coding	N
Thread type	M16

Material specifications

Material Housing	GD-Zn
Material Rotating parts	CuZn
Material Housing surface	Ni
Material Insulating body	PA 6.6
Material Contact	CuZn
Material Contact surface	Au
Material Seal	FPM (O-ring)
Seal material	FPM or NBR or EPDM

Electrical properties

Contact

Nominal current I_N	0.8 A
Nominal voltage U_N	48 V AC
	74 V DC
Overvoltage category	III
Degree of pollution	3
Rated surge voltage	0.8 kV

Connection data

Conductor connection

Connection method	Solder pins
Contact connection type	Pin

Mechanical properties

Mechanical data

Insertion/withdrawal cycles	50
-----------------------------	----

PV-14P1N22HG00 - Device connector rear mounting



1592501

<https://www.phoenixcontact.com/us/products/1592501>

Connector

Type	straight
------	----------

Environmental and real-life conditions

Ambient conditions

Degree of protection	IP67
Ambient temperature (operation)	-20 °C ... 125 °C
Altitude	2000 m

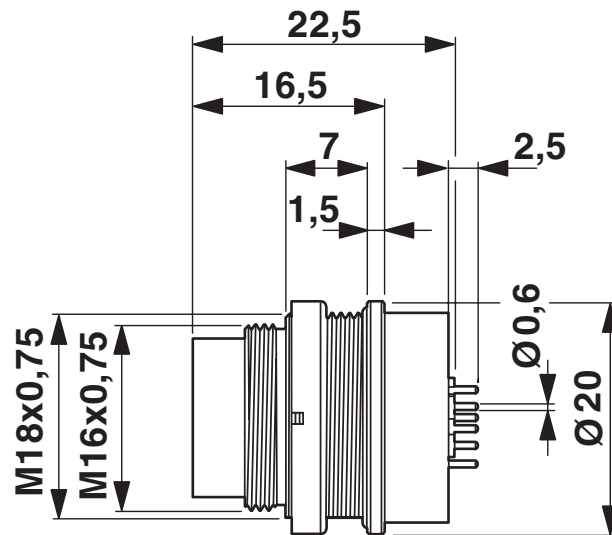
PV-14P1N22HG00 - Device connector rear mounting

1592501

<https://www.phoenixcontact.com/us/products/1592501>

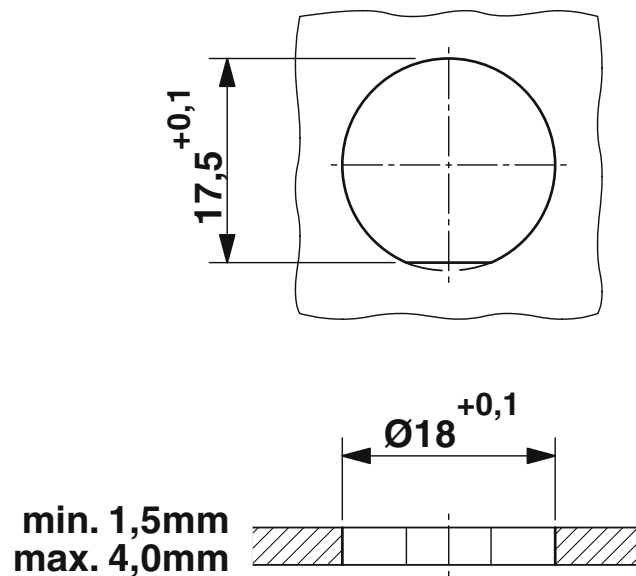
Drawings

Dimensional drawing



Dimensional drawing

Dimensional drawing



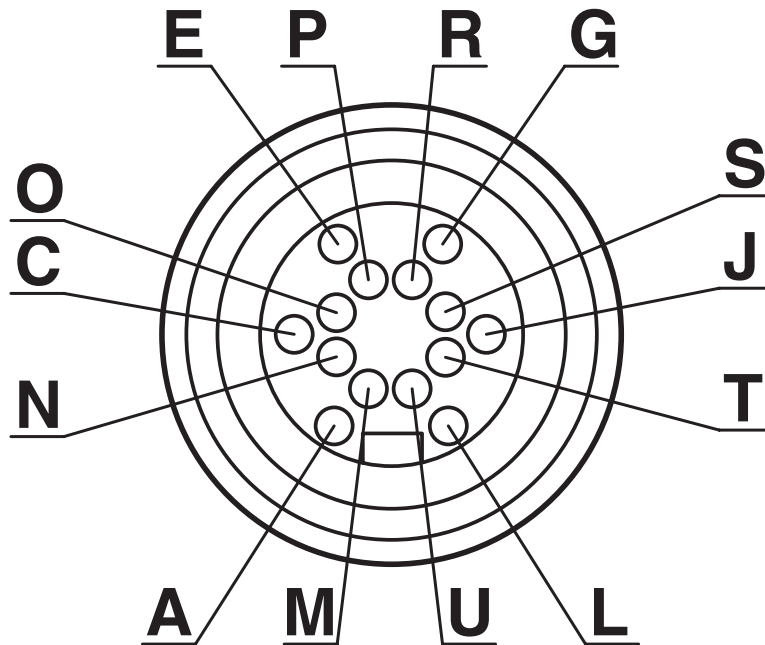
Installation dimensions

PV-14P1N22HG00 - Device connector rear mounting

1592501

<https://www.phoenixcontact.com/us/products/1592501>

Schematic diagram

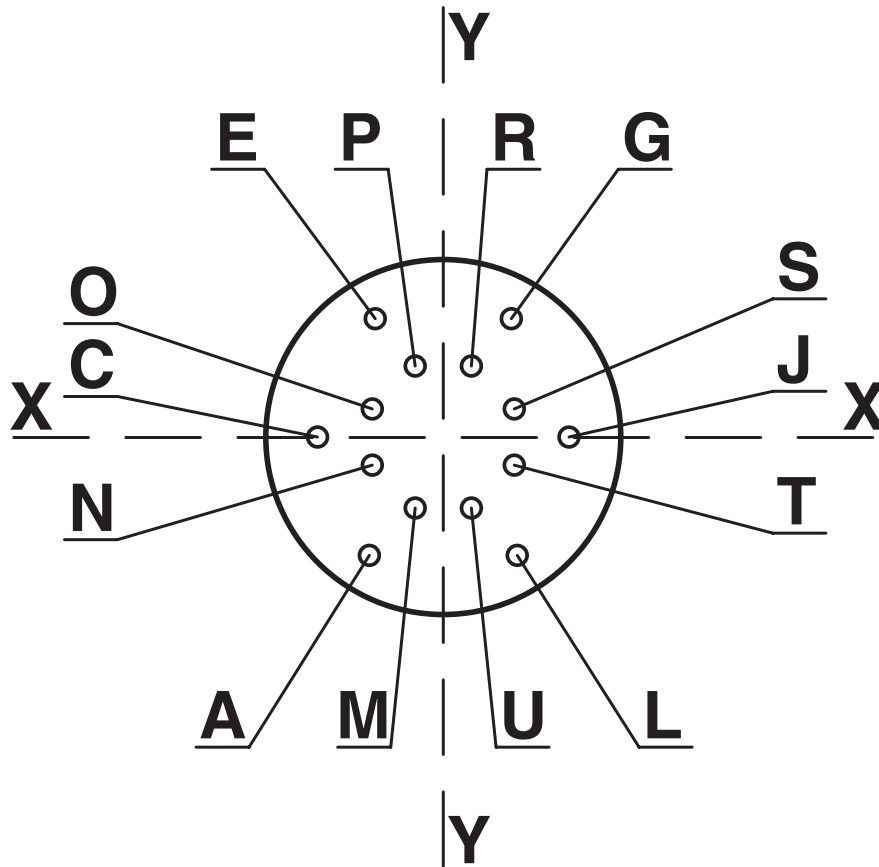


Connector pin assignment

1592501

<https://www.phoenixcontact.com/us/products/1592501>

Schematic diagram



Connector pin assignment

PV-14P1N22HG00 - Device connector rear mounting



1592501

<https://www.phoenixcontact.com/us/products/1592501>

Classifications

ECLASS

ECLASS-13.0	27440109
ECLASS-15.0	27440109

ETIM

ETIM 10.0	EC003569
-----------	----------

UNSPSC

UNSPSC 21.0	39121400
-------------	----------

PV-14P1N22HG00 - Device connector rear mounting



1592501

<https://www.phoenixcontact.com/us/products/1592501>

Environmental product compliance

EU RoHS

Fulfills EU RoHS substance requirements	Yes
Exemption	6(c)

China RoHS

Environment friendly use period (EFUP)	EFUP-50
	An article-related China RoHS declaration table can be found in the download area for the respective article under "Manufacturer declaration". For all articles with EFUP-E, no China RoHS declaration table issued and required.

EU REACH SVHC

REACH candidate substance (CAS No.)	Lead(CAS: 7439-92-1)
SCIP	6732c0d6-9362-44a3-8926-c5fa29e817de

Phoenix Contact 2026 © - all rights reserved

<https://www.phoenixcontact.com>

Phoenix Contact USA
586 Fulling Mill Road
Middletown, PA 17057, United States
(+717) 944-1300
info@phoenixcon.com