

HC-28S1N12WA00 - Device connector front mounting



1590439

<https://www.phoenixcontact.com/us/products/1590439>

Please be informed that the data shown in this PDF document is generated from our online catalog. Please find the complete data in the user documentation. Our general terms of use for downloads are valid.



Device connector front mounting, application: Signal, straight, Screw locking mechanism, M27, contact connection type: Socket, Radial O-ring, shielded: yes, number of positions: 28, connection method: Solder cup, series: HC

The figure shows the 26-pos.
product version

Commercial data

Item number	1590439
Packing unit	24 pc
Minimum order quantity	1 pc
Product key	ABRAJL
GTIN	4046356187633
Weight per piece (including packing)	47.93 g
Weight per piece (excluding packing)	44.072 g
Country of origin	DE

1590439

<https://www.phoenixcontact.com/us/products/1590439>

Technical data

Mounting

Mounting type	Front mounting/square flange (4x Ø 3.2 mm)
---------------	--

Product properties

Product type	Circular connectors (device side)
Series	HC
Application	Signal
Number of positions	28
Shielded	yes
Coding	N
Thread type	M27

Material specifications

Material Housing	GD-Zn
Material Rotating parts	CuZn
Material Housing surface	Ni
Material Insulating body	PA 6.6
Material Contact	CuZn
Material Contact surface	Au
Material Seal	FPM (O-ring)
Flammability rating according to UL 94	V0
Seal material	FPM or NBR or EPDM

Electrical properties

Contact

Contact diameter	1 mm
Min. cross section	0.08 mm ²
Max. cross section	1 mm ²
Nominal current I _N	8 A
Nominal voltage U _N	48 V AC
	74 V DC
Overvoltage category	III
Degree of pollution	3
Rated surge voltage	1.5 kV

Connection data

Conductor connection

Connection method	Solder cup
Contact connection type	Socket

Mechanical properties

HC-28S1N12WA00 - Device connector front mounting



1590439

<https://www.phoenixcontact.com/us/products/1590439>

Mechanical data

Insertion/withdrawal cycles	50
-----------------------------	----

Connector

Type	straight
Direction of rotation	Standard

Environmental and real-life conditions

Ambient conditions

Degree of protection	IP67
Ambient temperature (operation)	-20 °C ... 125 °C
Altitude	2000 m

HC-28S1N12WA00 - Device connector front mounting

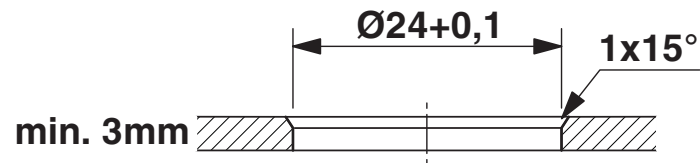


1590439

<https://www.phoenixcontact.com/us/products/1590439>

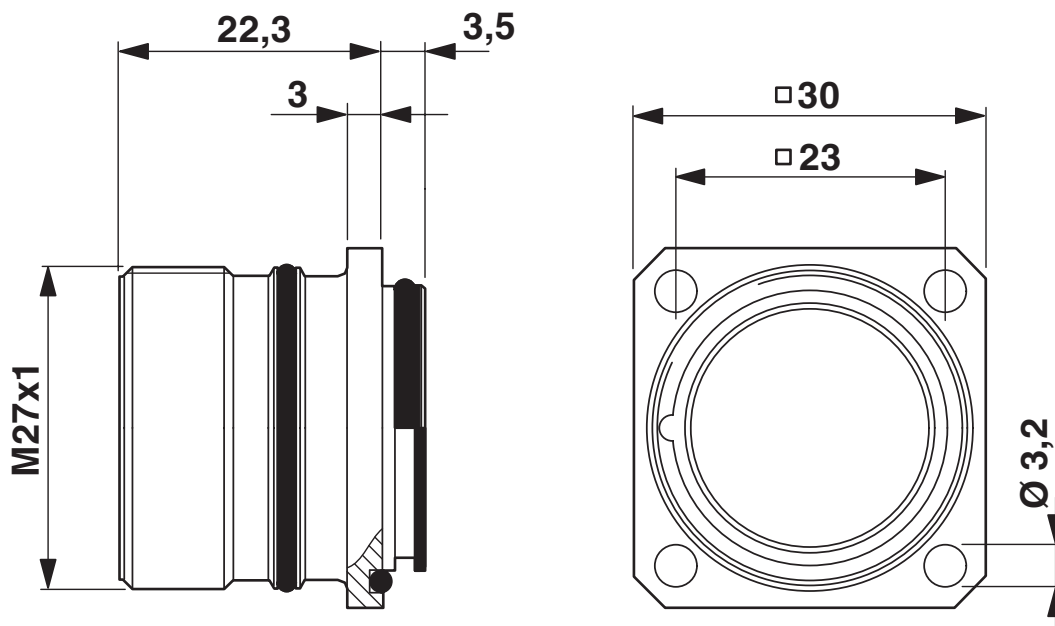
Drawings

Dimensional drawing



Housing bore holes

Dimensional drawing

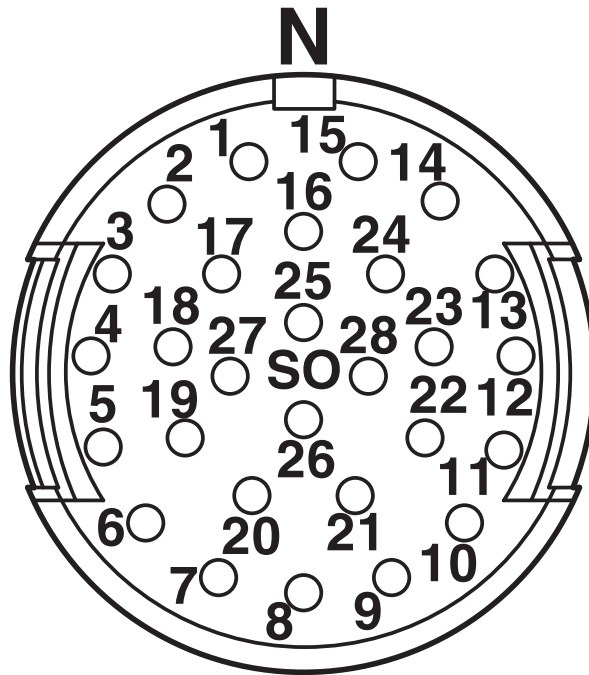


Dimensional drawing

1590439

<https://www.phoenixcontact.com/us/products/1590439>

Schematic diagram



Connector pin assignment

HC-28S1N12WA00 - Device connector front mounting



1590439

<https://www.phoenixcontact.com/us/products/1590439>

Classifications

ECLASS

ECLASS-13.0	27440109
ECLASS-15.0	27440109

ETIM

ETIM 10.0	EC003569
-----------	----------

UNSPSC

UNSPSC 21.0	39121400
-------------	----------

1590439

<https://www.phoenixcontact.com/us/products/1590439>

Environmental product compliance

EU RoHS

Fulfills EU RoHS substance requirements	Yes
Exemption	6(c)

China RoHS

Environment friendly use period (EFUP)	EFUP-50
	An article-related China RoHS declaration table can be found in the download area for the respective article under "Manufacturer declaration". For all articles with EFUP-E, no China RoHS declaration table issued and required.

EU REACH SVHC

REACH candidate substance (CAS No.)	Lead(CAS: 7439-92-1)
SCIP	55db9ba0-b10f-4a3a-b9d1-d6cc8991ca54

Phoenix Contact 2026 © - all rights reserved

<https://www.phoenixcontact.com>

Phoenix Contact USA
586 Fulling Mill Road
Middletown, PA 17057, United States
(+717) 944-1300
info@phoenixcon.com