

HC-28P1N1280EU - Cable connector



1590413

<https://www.phoenixcontact.com/us/products/1590413>

Please be informed that the data shown in this PDF document is generated from our online catalog. Please find the complete data in the user documentation. Our general terms of use for downloads are valid.



The figure shows the 26-pos.
product version

Cable connector, application: Signal, straight, Screw locking mechanism, M27, number of positions: 28, contact connection type: Pin, number of positions: 28, connection method: Solder connection, series: HC

Commercial data

Item number	1590413
Packing unit	10 pc
Minimum order quantity	1 pc
Note	Made to order (non-returnable)
Product key	ABRAJA
GTIN	4046356187435
Weight per piece (including packing)	80.25 g
Weight per piece (excluding packing)	80.25 g
Country of origin	DE

HC-28P1N1280EU - Cable connector



1590413

<https://www.phoenixcontact.com/us/products/1590413>

Technical data

Notes

Order information:	Order crimp contacts Ø 1 mm separately
--------------------	--

Product properties

Product type	Circular connector (cable-side)
Series	HC
Application	Signal
Number of positions	28
Connection profile	28
Coding	N
Thread type	M27

Material specifications

Seal material	FPM or NBR or EPDM
Housing material	Metal

Connection data

Conductor connection

Connection method	Solder connection
-------------------	-------------------

Electrical properties

Contact

Contact diameter	1 mm
Min. cross section	0.08 mm ²
Max. cross section	1 mm ²
Nominal current I _N	8 A
Nominal voltage U _N	150 V
Overvoltage category	II
Degree of pollution	3
Rated surge voltage	1.5 kV

Connector

Type	straight
Direction of rotation	Standard

Environmental and real-life conditions

Ambient conditions

Degree of protection	IP67, when plugged in
----------------------	-----------------------

HC-28P1N1280EU - Cable connector

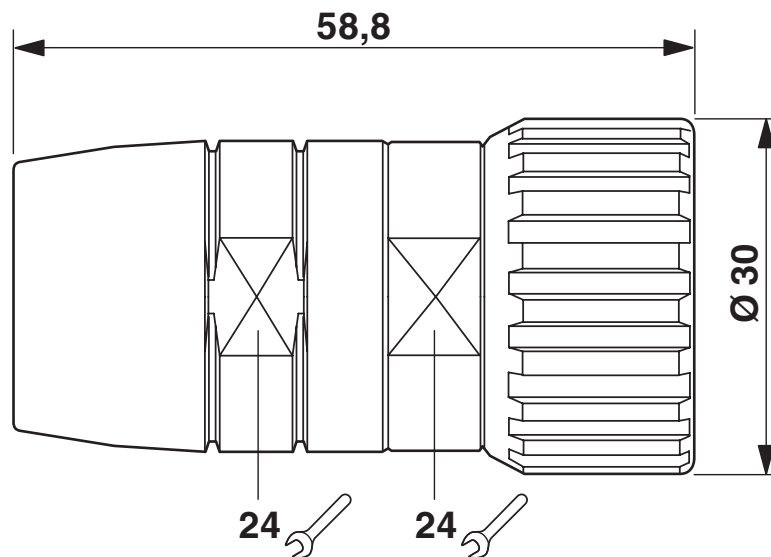
1590413

<https://www.phoenixcontact.com/us/products/1590413>



Drawings

Dimensional drawing



Phoenix Contact 2026 © - all rights reserved
<https://www.phoenixcontact.com>

Phoenix Contact USA
586 Fulling Mill Road
Middletown, PA 17057, United States
(+717) 944-1300
info@phoenixcon.com