

HC-26S1NRAWA00 - Device connector front mounting



1590403

<https://www.phoenixcontact.com/us/products/1590403>

Please be informed that the data shown in this PDF document is generated from our online catalog. Please find the complete data in the user documentation. Our general terms of use for downloads are valid.



The figure shows the 28-pos.
product version

Device connector front mounting, application: Signal, straight, Screw locking mechanism, M27, number of positions: 26, contact connection type: Socket, Radial O-ring, 4x Ø 3.2, shielded: yes, number of positions: 26, connection method: Crimp connection, series: HC

Commercial data

Item number	1590403
Packing unit	1 pc
Note	Made to order (non-returnable)
Sales key	AB32
Product key	ABRAJL
GTIN	4046356187350
Weight per piece (including packing)	44.08 g
Weight per piece (excluding packing)	44.08 g
Customs tariff number	85366990
Country of origin	DE

1590403

<https://www.phoenixcontact.com/us/products/1590403>

Technical data

Notes

Order information:	Order crimp contacts Ø 1 mm separately
--------------------	--

Product properties

Product type	Circular connectors (device side)
Series	HC
Application	Signal
Number of positions	26
Connection profile	26
Shielded	yes
Coding	N
Thread type	M27

Material specifications

Seal material	FPM or NBR or EPDM
Housing material	Turned parts: copper zinc alloy (CuZn), die-cast parts: zinc (GD-Zn)
Insulator material	PA66
Gasket and O-ring material	FPM

Electrical properties

Contact

Contact diameter	1 mm
Nominal current I_N	8 A
Nominal voltage U_N	150 V
Overvoltage category	II
Degree of pollution	3
Rated surge voltage	1.5 kV

Connection data

Conductor connection

Connection method	Crimp connection
Contact connection type	Socket

Connector

Type	straight
Direction of rotation	Standard

Environmental and real-life conditions

Ambient conditions

Degree of protection	IP67
----------------------	------

HC-26S1NRAWA00 - Device connector front mounting



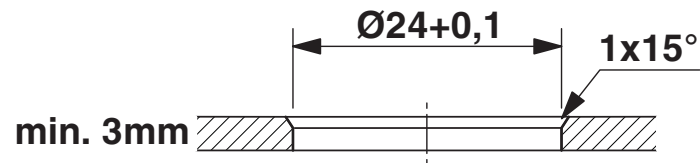
1590403

<https://www.phoenixcontact.com/us/products/1590403>

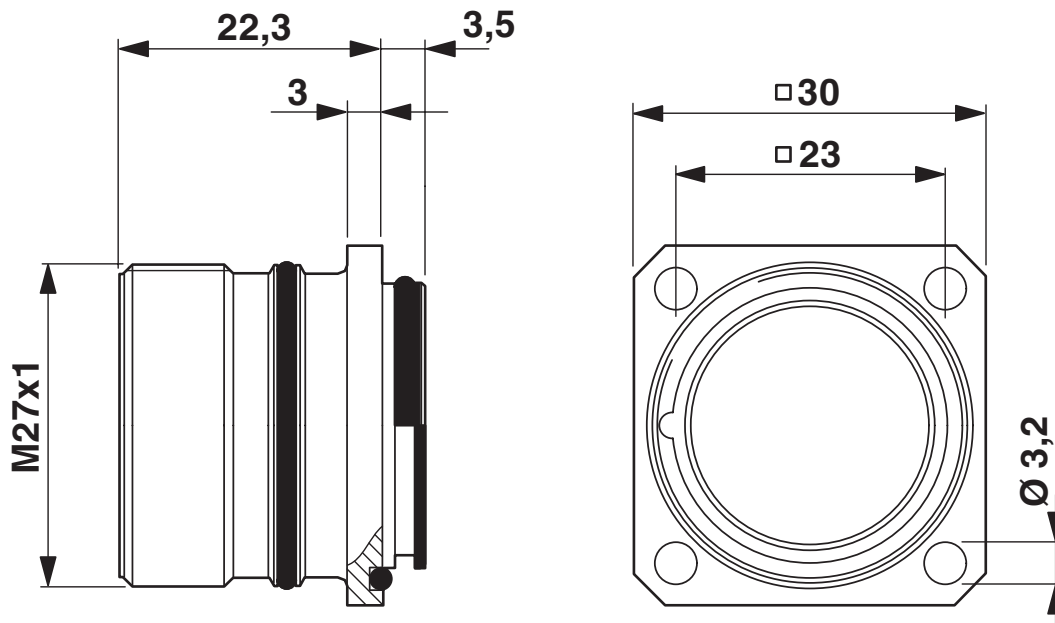
Ambient temperature (operation)	-20 °C ... 125 °C
Altitude	2000 m

Drawings

Dimensional drawing



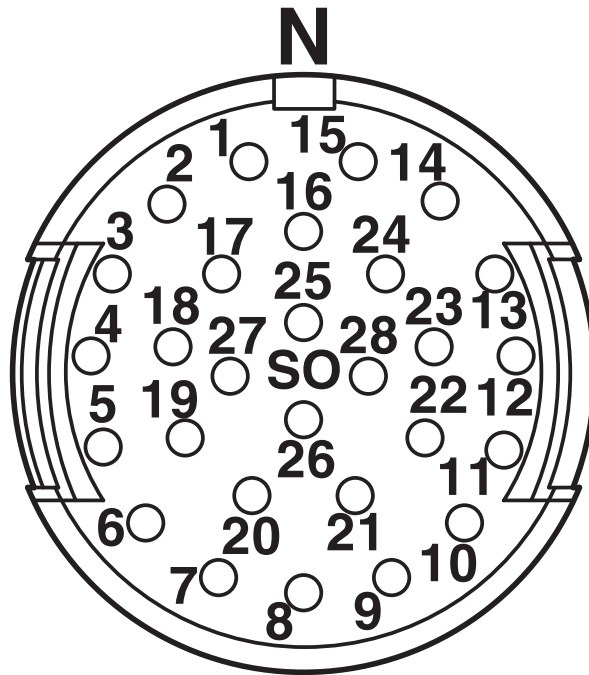
Dimensional drawing



1590403

<https://www.phoenixcontact.com/us/products/1590403>

Schematic diagram



1590403

<https://www.phoenixcontact.com/us/products/1590403>

Environmental product compliance

China RoHS

Environment friendly use period (EFUP)	EFUP-50
	An article-related China RoHS declaration table can be found in the download area for the respective article under "Manufacturer declaration". For all articles with EFUP-E, no China RoHS declaration table issued and required.

EU REACH SVHC

REACH candidate substance (CAS No.)	No substance above 0.1 wt%
-------------------------------------	----------------------------

Phoenix Contact 2026 © - all rights reserved
<https://www.phoenixcontact.com>

Phoenix Contact USA
586 Fulling Mill Road
Middletown, PA 17057, United States
(+717) 944-1300
info@phoenixcon.com