

HC-26S1N324300 - Device connector rear mounting



1590379

<https://www.phoenixcontact.com/us/products/1590379>

Please be informed that the data shown in this PDF document is generated from our online catalog. Please find the complete data in the user documentation. Our general terms of use for downloads are valid.



Device connector rear mounting, application: Signal, straight, M27, contact connection type: Socket, Radial O-ring, 4xM3, number of positions: 26, connection method: Solder-in connection

The figure shows the 28-pos. product version

Commercial data

| | |
|--------------------------------------|--------------------------------|
| Item number | 1590379 |
| Packing unit | 24 pc |
| Minimum order quantity | 1 pc |
| Note | Made to order (non-returnable) |
| Product key | ABRAJR |
| GTIN | 4046356187152 |
| Weight per piece (including packing) | 52.59 g |
| Weight per piece (excluding packing) | 52.59 g |
| Country of origin | DE |

HC-26S1N324300 - Device connector rear mounting



1590379

<https://www.phoenixcontact.com/us/products/1590379>

Technical data

Product properties

| | |
|---------------------|-----------------------------------|
| Product type | Circular connectors (device side) |
| Application | Signal |
| Number of positions | 26 |
| Thread type | M27 |

Electrical properties

Contact

| | |
|-----------------------|--------|
| Contact diameter | 1 mm |
| Nominal current I_N | 8 A |
| Nominal voltage U_N | 150 V |
| Overvoltage category | II |
| Degree of pollution | 3 |
| Rated surge voltage | 1.5 kV |

Connection data

Conductor connection

| | |
|-------------------------|----------------------|
| Connection method | Solder-in connection |
| Contact connection type | Socket |

Connector

| | |
|-----------------------|----------|
| Type | straight |
| Direction of rotation | Standard |

Environmental and real-life conditions

Ambient conditions

| | |
|----------------------|-----------------------|
| Degree of protection | IP67, when plugged in |
|----------------------|-----------------------|

HC-26S1N324300 - Device connector rear mounting

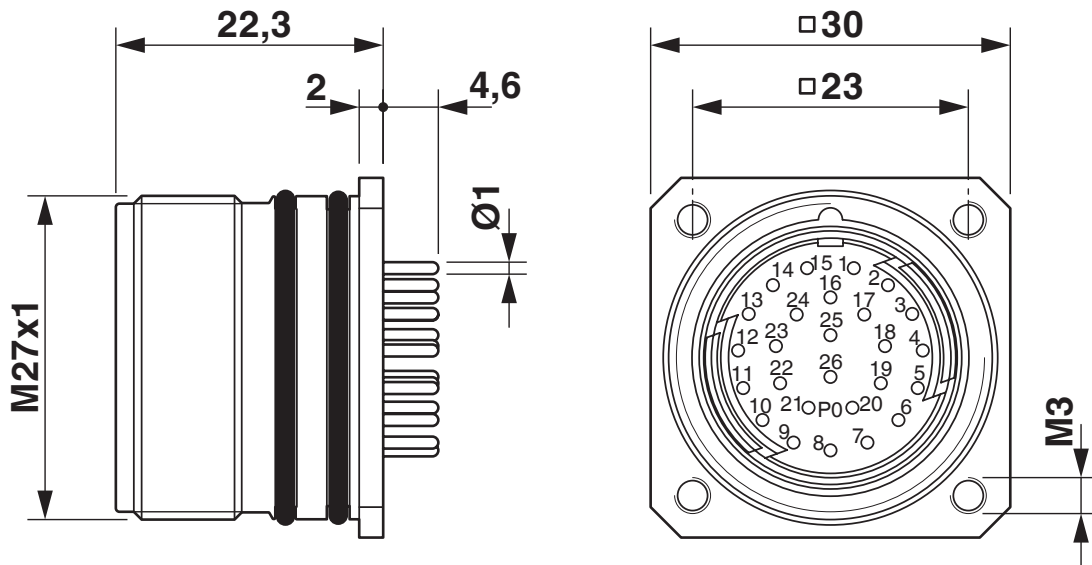


1590379

<https://www.phoenixcontact.com/us/products/1590379>

Drawings

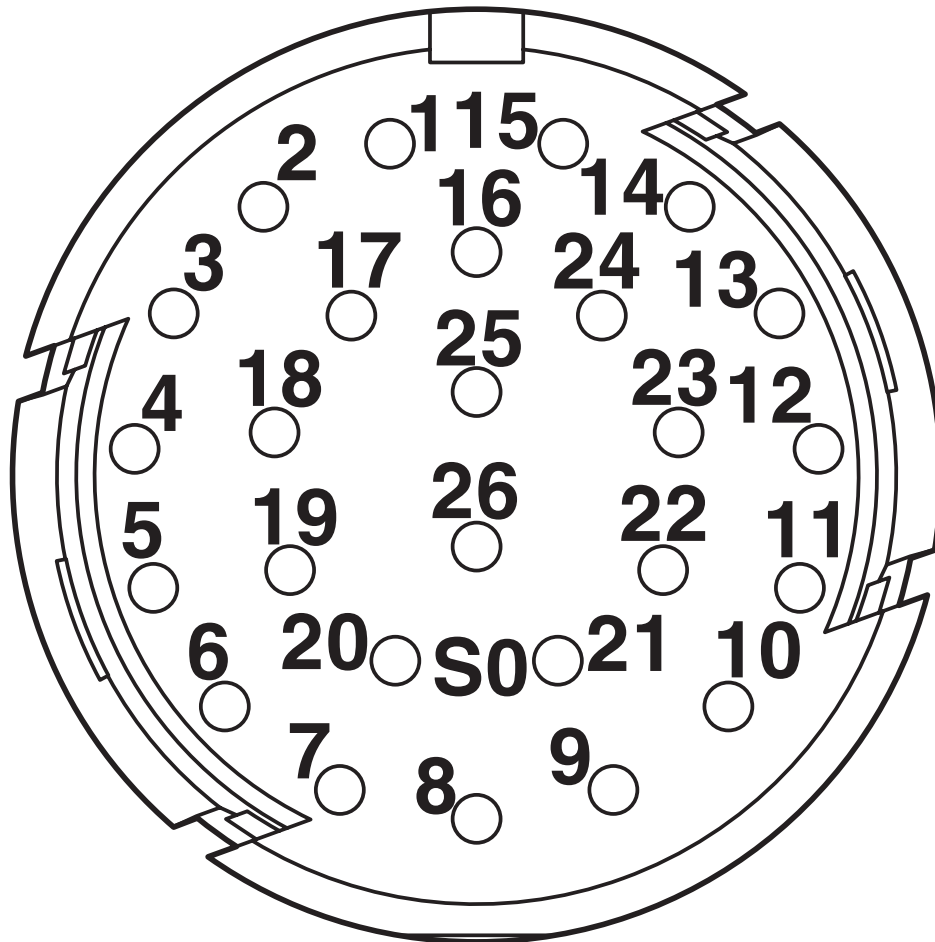
Dimensional drawing



1590379

<https://www.phoenixcontact.com/us/products/1590379>

Schematic diagram



Phoenix Contact 2026 © - all rights reserved
<https://www.phoenixcontact.com>

Phoenix Contact USA
586 Fulling Mill Road
Middletown, PA 17057, United States
(+717) 944-1300
info@phoenixcon.com