

# HC-26S1N1290DU - Coupler connector



1590357

<https://www.phoenixcontact.com/us/products/1590357>

Please be informed that the data shown in this PDF document is generated from our online catalog. Please find the complete data in the user documentation. Our general terms of use for downloads are valid.



Coupler connector, application: Signal, straight, Screw locking mechanism, M27, number of positions: 26, contact connection type: Socket, shielded: yes, cable diameter range: 2 mm ... 14.5 mm, number of positions: 26, connection method: Solder connection, series: HC

## Commercial data

Item number	1590357
Packing unit	1 pc
Minimum order quantity	1 pc
Note	Made to order (non-returnable)
Sales key	AB31
Product key	ABRAJG
GTIN	4046356187015
Weight per piece (including packing)	100.45 g
Weight per piece (excluding packing)	91.92 g
Customs tariff number	85366990
Country of origin	DE

# HC-26S1N1290DU - Coupler connector



1590357

<https://www.phoenixcontact.com/us/products/1590357>

## Technical data

### Product properties

Product type	Circular connector (cable-side)
Series	HC
Application	Signal
Number of positions	26
Connection profile	26
Shielded	yes
Coding	N
Thread type	M27

### Material specifications

Seal material	FPM or NBR or EPDM
Housing material	Metal
Housing material	Turned parts: copper zinc alloy (CuZn), die-cast parts: zinc (GD-Zn)
Insulator material	PA66
Contact material	CuZn
Contact surface	Nickel-plated, gold coating
Gasket and O-ring material	FPM

### Connection data

#### Conductor connection

Connection method	Solder connection
-------------------	-------------------

### Electrical properties

#### Contact

Contact diameter	1 mm
Min. cross section	0.08 mm <sup>2</sup>
Max. cross section	1 mm <sup>2</sup>
Nominal voltage U <sub>N</sub>	48 V AC
	74 V DC
Overvoltage category	III
Degree of pollution	3
Rated surge voltage	1.5 kV

### Mechanical properties

#### Mechanical data

Insertion/withdrawal cycles	50
-----------------------------	----

### Connector

Type	straight
------	----------

# HC-26S1N1290DU - Coupler connector



1590357

<https://www.phoenixcontact.com/us/products/1590357>

Direction of rotation	Standard
-----------------------	----------

## Cable/line

External cable diameter	2 mm ... 14.5 mm
-------------------------	------------------

## Environmental and real-life conditions

### Ambient conditions

Degree of protection	IP67, when plugged in
Ambient temperature (operation)	-20 °C ... 125 °C
Altitude	2000 m

# HC-26S1N1290DU - Coupler connector

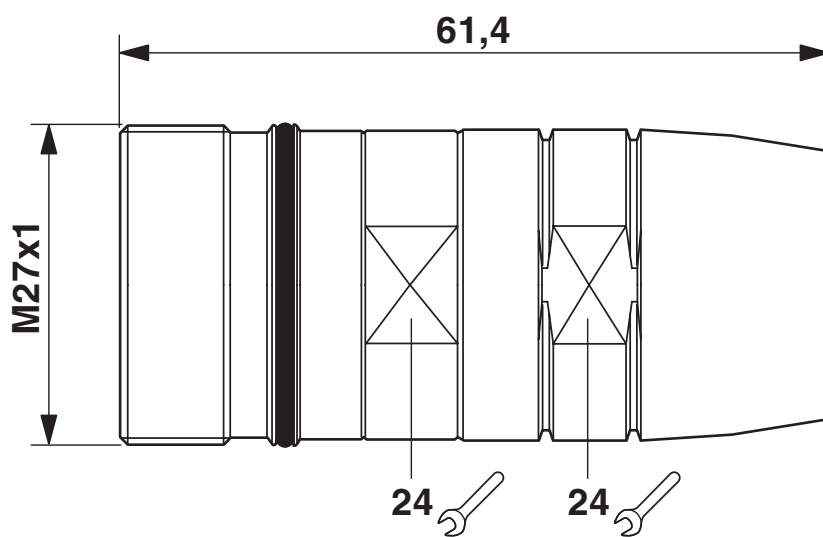


1590357

<https://www.phoenixcontact.com/us/products/1590357>

## Drawings

Dimensional drawing



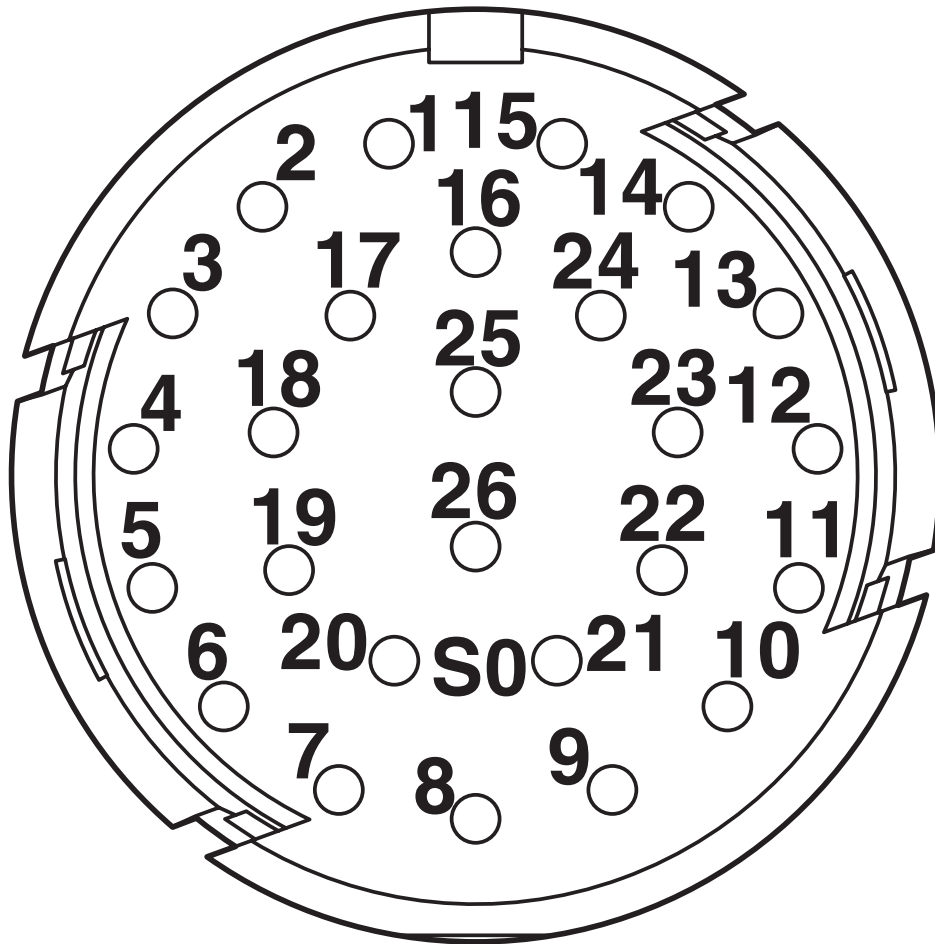
# HC-26S1N1290DU - Coupler connector



1590357

<https://www.phoenixcontact.com/us/products/1590357>

Schematic diagram



# HC-26S1N1290DU - Coupler connector



1590357

<https://www.phoenixcontact.com/us/products/1590357>

## Classifications

### UNSPSC

UNSPSC 21.0	39121400
-------------	----------

# HC-26S1N1290DU - Coupler connector



1590357

<https://www.phoenixcontact.com/us/products/1590357>

## Environmental product compliance

### EU RoHS

Fulfills EU RoHS substance requirements	Yes
Exemption	6(c)

### China RoHS

Environment friendly use period (EFUP)	EFUP-50
	An article-related China RoHS declaration table can be found in the download area for the respective article under "Manufacturer declaration". For all articles with EFUP-E, no China RoHS declaration table issued and required.

### EU REACH SVHC

REACH candidate substance (CAS No.)	Lead(CAS: 7439-92-1)
-------------------------------------	----------------------

Phoenix Contact 2026 © - all rights reserved  
<https://www.phoenixcontact.com>

Phoenix Contact USA  
586 Fulling Mill Road  
Middletown, PA 17057, United States  
(+717) 944-1300  
[info@phoenixcon.com](mailto:info@phoenixcon.com)