

HC-26S1N1280AB - Cable connector



1590350

<https://www.phoenixcontact.com/us/products/1590350>

Please be informed that the data shown in this PDF document is generated from our online catalog. Please find the complete data in the user documentation. Our general terms of use for downloads are valid.



Cable connector, application: Signal, straight, Screw locking mechanism, M27, number of positions: 26, contact connection type: Socket, shielded: yes, number of positions: 26, connection method: Solder connection, series: HC, Alternative product in accordance with RoHS II without Exemption 6c (Pb < 0.1 %) item no.: 1240145

Commercial data

Item number	1590350
Packing unit	10 pc
Minimum order quantity	1 pc
Note	Made to order (non-returnable)
Product key	ABRAJA
GTIN	4046356186971
Weight per piece (including packing)	97.06 g
Weight per piece (excluding packing)	84.239 g
Country of origin	DE

HC-26S1N1280AB - Cable connector



1590350

<https://www.phoenixcontact.com/us/products/1590350>

Technical data

Product properties

Product type	Circular connector (cable-side)
Series	HC
Application	Signal
Number of positions	26
Connection profile	26
Shielded	yes
Coding	N
Thread type	M27

Material specifications

Seal material	FPM or NBR or EPDM
Housing material	Metal

Connection data

Conductor connection

Connection method	Solder connection
-------------------	-------------------

Electrical properties

Contact

Contact diameter	1 mm
Min. cross section	0.08 mm ²
Max. cross section	1 mm ²
Nominal voltage U _N	48 V AC
	74 V DC
Overvoltage category	III
Degree of pollution	3
Rated surge voltage	1.5 kV

Mechanical properties

Mechanical data

Insertion/withdrawal cycles	50
-----------------------------	----

Connector

Type	straight
Direction of rotation	Standard

Environmental and real-life conditions

Ambient conditions

Degree of protection	IP67
----------------------	------

HC-26S1N1280AB - Cable connector



1590350

<https://www.phoenixcontact.com/us/products/1590350>

Ambient temperature (operation)	-20 °C ... 125 °C
Altitude	2000 m

HC-26S1N1280AB - Cable connector

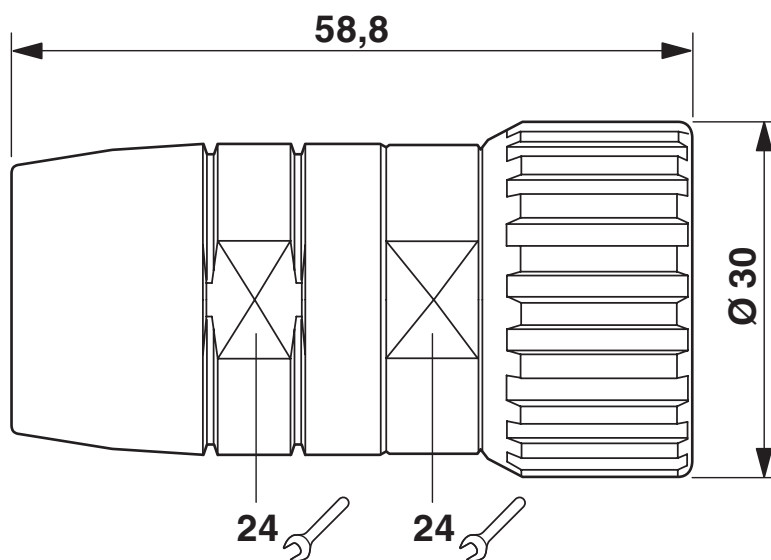
1590350

<https://www.phoenixcontact.com/us/products/1590350>



Drawings

Dimensional drawing



Dimensional drawing

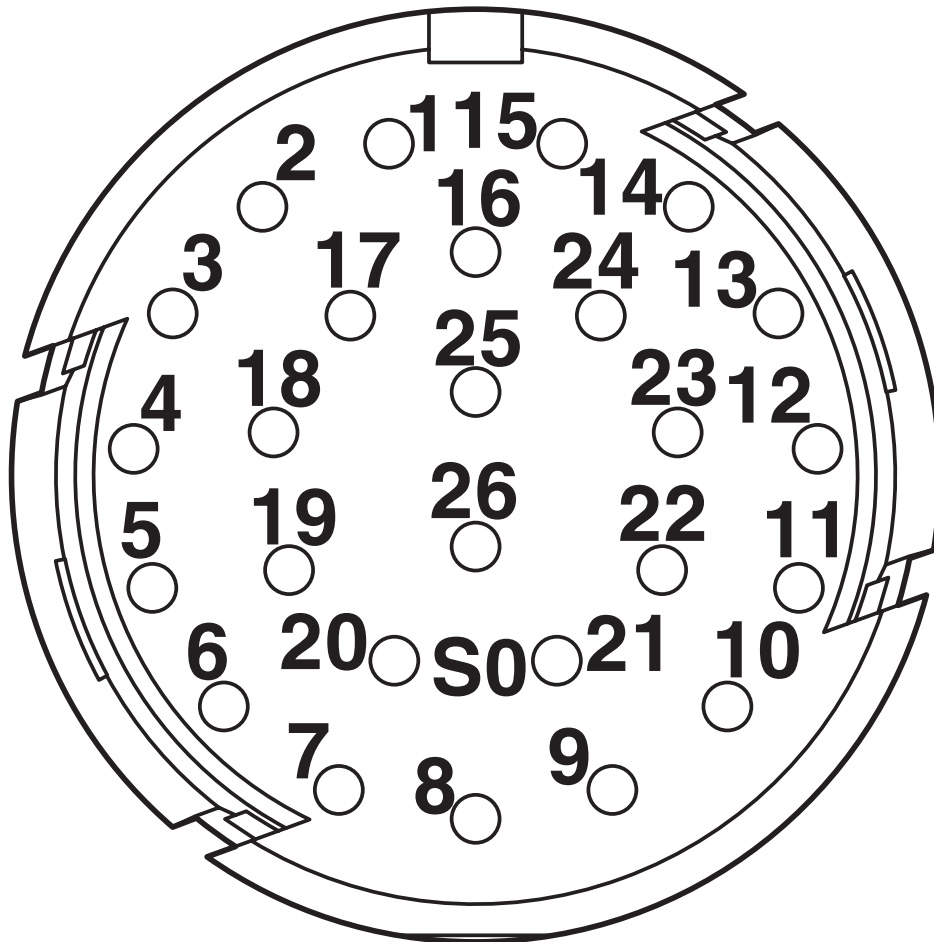
HC-26S1N1280AB - Cable connector



1590350

<https://www.phoenixcontact.com/us/products/1590350>

Schematic diagram



Connector pin assignment

HC-26S1N1280AB - Cable connector



1590350

<https://www.phoenixcontact.com/us/products/1590350>

Classifications

ECLASS

ECLASS-13.0

27440116

ETIM

ETIM 9.0

EC002635

UNSPSC

UNSPSC 21.0

39121400

HC-26S1N1280AB - Cable connector



1590350

<https://www.phoenixcontact.com/us/products/1590350>

Environmental product compliance

EU RoHS

Fulfills EU RoHS substance requirements	Yes
Exemption	6(c)

China RoHS

Environment friendly use period (EFUP)	EFUP-50
	An article-related China RoHS declaration table can be found in the download area for the respective article under "Manufacturer declaration". For all articles with EFUP-E, no China RoHS declaration table issued and required.

EU REACH SVHC

REACH candidate substance (CAS No.)	Lead(CAS: 7439-92-1)
SCIP	a209ca5a-660c-4ac5-9fce-8d6de9df34cb

Phoenix Contact 2026 © - all rights reserved

<https://www.phoenixcontact.com>

Phoenix Contact USA
586 Fulling Mill Road
Middletown, PA 17057, United States
(+717) 944-1300
info@phoenixcon.com