

# HC-26S1N122300 - Device connector front mounting



1590345

<https://www.phoenixcontact.com/us/products/1590345>

Please be informed that the data shown in this PDF document is generated from our online catalog. Please find the complete data in the user documentation. Our general terms of use for downloads are valid.



Device connector front mounting, application: Signal, straight, Screw locking mechanism, M27, number of positions: 26, contact connection type: Socket, Flat gasket, shielded: yes, number of positions: 26, connection method: Solder cup, series: HC, this item is expected to be lead-free from Q2 2026 in accordance with RoHS II without exception 6c (Pb < 0.1%), a lead-free alternative is possible on request in advance

## Commercial data

Item number	1590345
Packing unit	24 pc
Minimum order quantity	1 pc
Sales key	AB31
Product key	ABRAJL
GTIN	4046356186940
Weight per piece (including packing)	43.65 g
Weight per piece (excluding packing)	40.12 g
Customs tariff number	85366990
Country of origin	DE

# HC-26S1N122300 - Device connector front mounting



1590345

<https://www.phoenixcontact.com/us/products/1590345>

## Technical data

### Mounting

Mounting type	Front mounting/square flange (4x Ø 3.2 mm)
---------------	--

### Product properties

Product type	Circular connectors (device side)
Series	HC
Application	Signal
Number of positions	26
Connection profile	26
Shielded	yes
Coding	N
Thread type	M27

### Material specifications

Material Housing	GD-Zn
Material Rotating parts	CuZn
Material Housing surface	Ni
Material Insulating body	PA 6.6
Material Contact	CuZn
Material Contact surface	Au
Material Seal	NBR (O-ring)
Flammability rating according to UL 94	V0
Seal material	FPM or NBR or EPDM

### Electrical properties

#### Contact

Contact diameter	1 mm
Min. cross section	0.08 mm <sup>2</sup>
Max. cross section	1 mm <sup>2</sup>
Nominal current I <sub>N</sub>	8 A
Nominal voltage U <sub>N</sub>	48 V AC 74 V DC
Overvoltage category	III
Degree of pollution	3
Rated surge voltage	1.5 kV

### Connection data

#### Conductor connection

Connection method	Solder cup
Contact connection type	Socket

# HC-26S1N122300 - Device connector front mounting



1590345

<https://www.phoenixcontact.com/us/products/1590345>

## Mechanical properties

### Mechanical data

Insertion/withdrawal cycles	50
-----------------------------	----

## Connector

Type	straight
Direction of rotation	Standard

## Environmental and real-life conditions

### Ambient conditions

Degree of protection	IP67
Ambient temperature (operation)	-20 °C ... 125 °C
Altitude	2000 m

# HC-26S1N122300 - Device connector front mounting

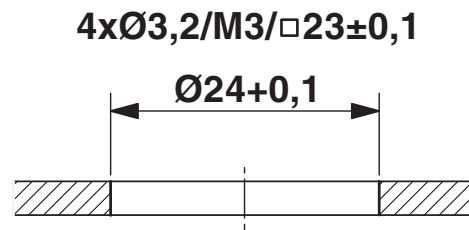


1590345

<https://www.phoenixcontact.com/us/products/1590345>

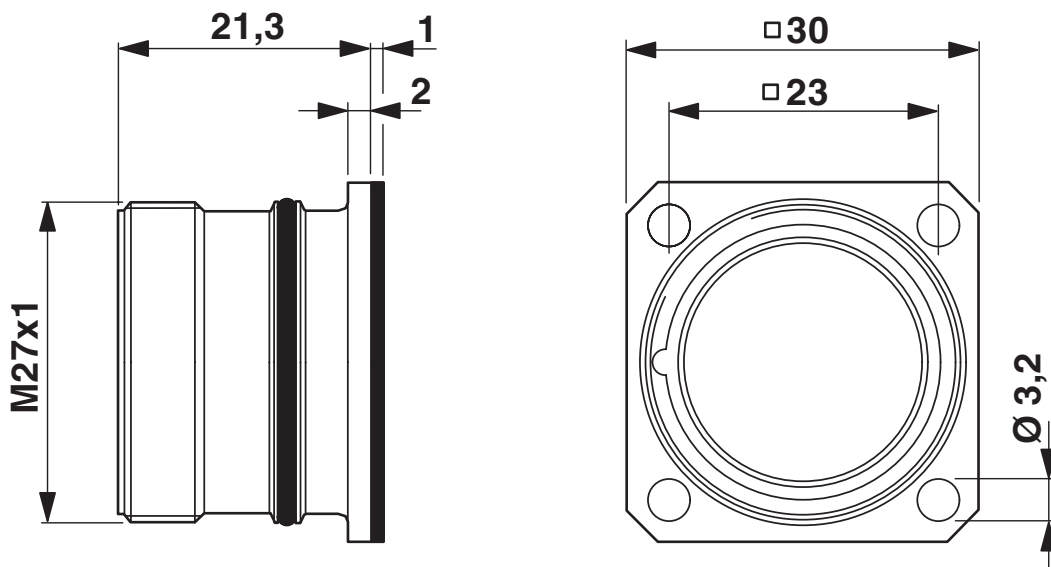
## Drawings

Dimensional drawing



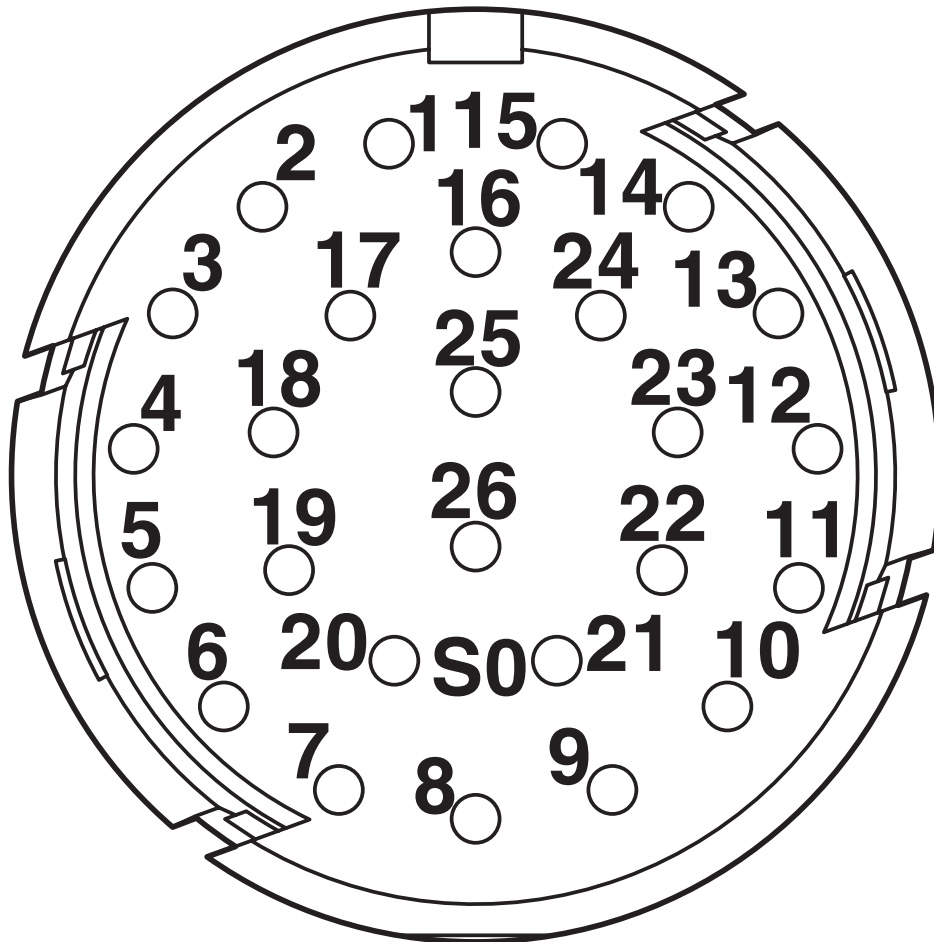
## Installation dimensions

Dimensional drawing



Dimensional drawing

Schematic diagram



Connector pin assignment

# HC-26S1N122300 - Device connector front mounting



1590345

<https://www.phoenixcontact.com/us/products/1590345>

## Classifications

### ECLASS

ECLASS-13.0	27440109
ECLASS-15.0	27440109

### ETIM

ETIM 10.0	EC003569
-----------	----------

### UNSPSC

UNSPSC 21.0	39121400
-------------	----------

1590345

<https://www.phoenixcontact.com/us/products/1590345>

## Environmental product compliance

### EU RoHS

Fulfills EU RoHS substance requirements	Yes
Exemption	6(c)

### China RoHS

Environment friendly use period (EFUP)	EFUP-50
	An article-related China RoHS declaration table can be found in the download area for the respective article under "Manufacturer declaration". For all articles with EFUP-E, no China RoHS declaration table issued and required.

### EU REACH SVHC

REACH candidate substance (CAS No.)	Lead(CAS: 7439-92-1)
SCIP	817a1a3d-927b-45b3-8469-274141815ee7

Phoenix Contact 2026 © - all rights reserved

<https://www.phoenixcontact.com>

Phoenix Contact USA  
586 Fulling Mill Road  
Middletown, PA 17057, United States  
(+717) 944-1300  
[info@phoenixcon.com](mailto:info@phoenixcon.com)