

HC-26P1NT22300 - Device connector front mounting



1590338

<https://www.phoenixcontact.com/us/products/1590338>

Please be informed that the data shown in this PDF document is generated from our online catalog. Please find the complete data in the user documentation. Our general terms of use for downloads are valid.



Device connector front mounting, application: Signal, straight, Screw locking mechanism, M27, number of positions: 26, contact connection type: Pin, Flat gasket, 4x Ø 3.2, shielded: yes, number of positions: 26, connection method: Solder-in connection, series: HC

Commercial data

Item number	1590338
Packing unit	12 pc
Minimum order quantity	1 pc
Note	Made to order (non-returnable)
Product key	ABRAJL
GTIN	4046356186896
Weight per piece (including packing)	50.785 g
Weight per piece (excluding packing)	50.785 g
Country of origin	DE

HC-26P1NT22300 - Device connector front mounting



1590338

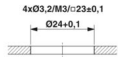
<https://www.phoenixcontact.com/us/products/1590338>

Technical data

Product properties

Product type	Circular connectors (device side)
Series	HC
Application	Signal
Number of positions	26
Connection profile	26
Shielded	yes
Coding	N
Thread type	M27

Dimensions

Dimensional drawing	
Length of the solder pin	10 mm 10 mm

Material specifications

Seal material	FPM or NBR or EPDM
Housing material	Metal
Housing material	Turned parts: copper zinc alloy (CuZn), die-cast parts: zinc (GD-Zn)
Insulator material	PA66
Contact material	CuZn
Contact surface	Nickel-plated, gold coating
Gasket and O-ring material	NBR

Electrical properties

Contact

Contact diameter	1 mm
Nominal current I_N	8 A
Nominal voltage U_N	150 V
Overvoltage category	II
Degree of pollution	3
Rated surge voltage	1.5 kV

Connection data

Conductor connection

Connection method	Solder-in connection
Contact connection type	Pin

HC-26P1NT22300 - Device connector front mounting



1590338

<https://www.phoenixcontact.com/us/products/1590338>

Mechanical properties

Mechanical data

Insertion/withdrawal cycles	50
-----------------------------	----

Connector

Type	straight
Direction of rotation	Standard

Environmental and real-life conditions

Ambient conditions

Degree of protection	IP67
Ambient temperature (operation)	-20 °C ... 125 °C
Altitude	2000 m

HC-26P1NT22300 - Device connector front mounting

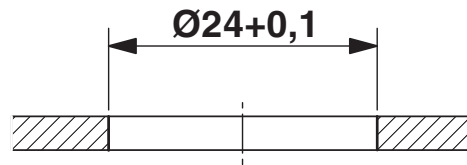
1590338

<https://www.phoenixcontact.com/us/products/1590338>

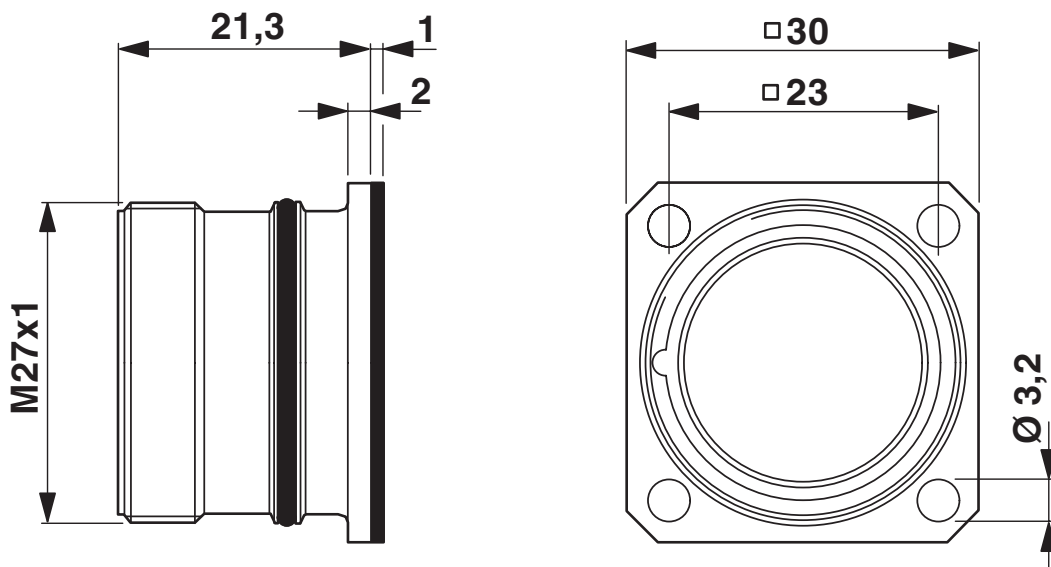
Drawings

Dimensional drawing

4xØ3,2/M3/□23±0,1



Dimensional drawing



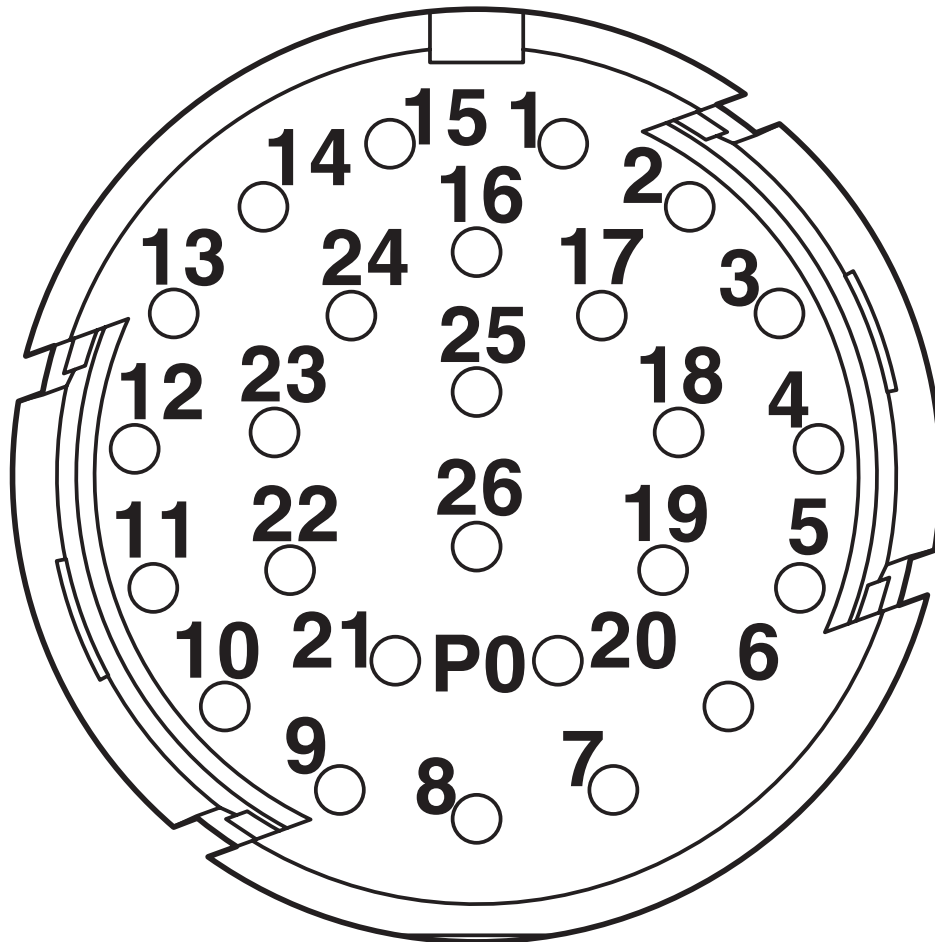
HC-26P1NT22300 - Device connector front mounting



1590338

<https://www.phoenixcontact.com/us/products/1590338>

Schematic diagram



Phoenix Contact 2026 © - all rights reserved
<https://www.phoenixcontact.com>

Phoenix Contact USA
586 Fulling Mill Road
Middletown, PA 17057, United States
(+717) 944-1300
info@phoenixcon.com