

# HC-26P1NRA90DU - Coupler connector



1590321

<https://www.phoenixcontact.com/us/products/1590321>

Please be informed that the data shown in this PDF document is generated from our online catalog. Please find the complete data in the user documentation. Our general terms of use for downloads are valid.



The figure shows the 28-pos.  
product version

Coupler connector, application: Signal, straight, Screw locking mechanism, M27, number of positions: 26, contact connection type: Pin, shielded: yes, cable diameter range: 2 mm ... 14.5 mm, number of positions: 26, connection method: Crimp connection, series: HC

## Commercial data

Item number	1590321
Packing unit	1 pc
Note	Made to order (non-returnable)
Sales key	AB32
Product key	ABRAJG
GTIN	4046356186797
Weight per piece (including packing)	96.27 g
Weight per piece (excluding packing)	87.08 g
Customs tariff number	85366990
Country of origin	DE

# HC-26P1NRA90DU - Coupler connector



1590321

<https://www.phoenixcontact.com/us/products/1590321>

## Technical data

### Notes

Order information:	Follow-up item from 1st December 2015: 1623254 HC-26P1N8A90DU
Order information:	Order crimp contacts Ø 1 mm separately

### Product properties

Product type	Circular connector (cable-side)
Series	HC
Application	Signal
Number of positions	26
Connection profile	26
Shielded	yes
Coding	N
Thread type	M27

### Material specifications

Seal material	FPM or NBR or EPDM
Housing material	Metal
Housing material	Turned parts: copper zinc alloy (CuZn), die-cast parts: zinc (GD-Zn)
Insulator material	PA66
Gasket and O-ring material	FPM

### Connection data

#### Conductor connection

Connection method	Crimp connection
-------------------	------------------

### Electrical properties

#### Contact

Contact diameter	1 mm
Nominal current $I_N$	8 A
Nominal voltage $U_N$	150 V
Overvoltage category	II
Degree of pollution	3
Rated surge voltage	1.5 kV

### Connector

Type	straight
Direction of rotation	Standard

### Cable/line

External cable diameter	2 mm ... 14.5 mm
-------------------------	------------------

# HC-26P1NRA90DU - Coupler connector



1590321

<https://www.phoenixcontact.com/us/products/1590321>

## Environmental and real-life conditions

### Ambient conditions

Degree of protection	IP67, when plugged in
Ambient temperature (operation)	-20 °C ... 125 °C
Altitude	2000 m

# HC-26P1NRA90DU - Coupler connector

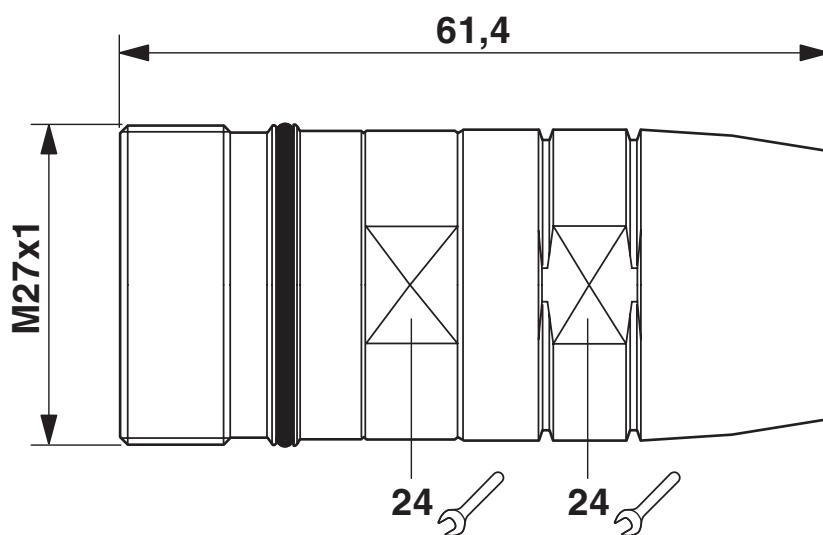


1590321

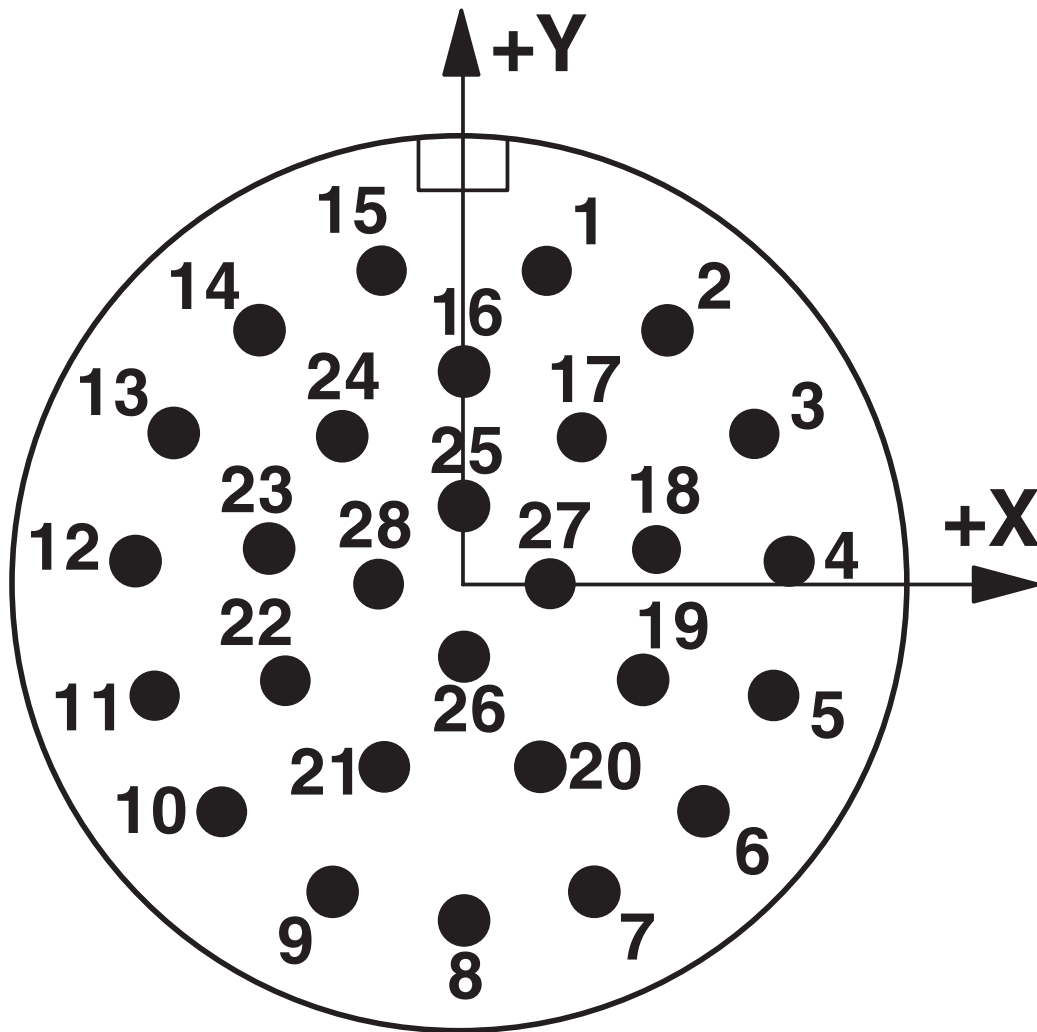
<https://www.phoenixcontact.com/us/products/1590321>

## Drawings

Dimensional drawing



Schematic diagram



# HC-26P1NRA90DU - Coupler connector



1590321

<https://www.phoenixcontact.com/us/products/1590321>

## Environmental product compliance

### China RoHS

Environment friendly use period (EFUP)	EFUP-50
	An article-related China RoHS declaration table can be found in the download area for the respective article under "Manufacturer declaration". For all articles with EFUP-E, no China RoHS declaration table issued and required.

### EU REACH SVHC

REACH candidate substance (CAS No.)	No substance above 0.1 wt%
-------------------------------------	----------------------------

Phoenix Contact 2026 © - all rights reserved  
<https://www.phoenixcontact.com>

Phoenix Contact USA  
586 Fulling Mill Road  
Middletown, PA 17057, United States  
(+717) 944-1300  
[info@phoenixcon.com](mailto:info@phoenixcon.com)